

IMPELLERS **KRR**
VENTILATION UNITS **AR**

2023



CONTENTS

About Blauberg Group	2
KRR series	4
AR series	9

BLAUBERG

GROUP



Blauberg Group manufactures and sells a complete range of hi-tech energy-efficient ventilation equipment offering a balanced mix of innovative technology, contemporary design and traditional German quality.

The group's main products include domestic fans, single-room ventilation units, heat recovery units, industrial fans and air handling units, parts and accessories for customized system configurations as well as bespoke ventilation solutions. Due to our product diversity, we do our best to meet the individual needs of our clients in various countries with the best combination of price and quality.





Blauberg Motoren was born in Munich, Germany, like own direction of fans and motors manufacturing and integral part of Blauberg Group.



Starting with manufacturing AC motors with external rotors for own needs, for now Blauberg Motoren produce wide range of motors and fans with EC and AC technology for clients all around the world. It includes axial fans, backward curved fans, forward curved fans, blowers.

We are proud to be presented in products of our clients – world famous manufactures of ventilation, heat, home appliance and other equipment, and be part of their success.



For now Blauberg Motoren have R&D (research and development) center in Munich (Germany), as well as main testing laboratories for products and factories in Germany (Munich), Ukraine (Kiev) and Poland.

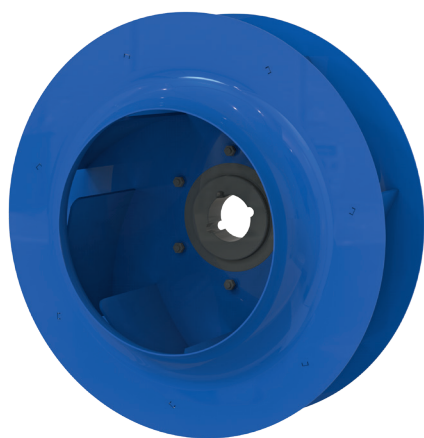
Every day we are working with our passion and respect to technology and engineering to make our products better – more responsive to needs and expectations of our clients.

With traditional German quality, we are focused on developing and improving best one and newest technology – in our own manufacturing and in our products.

WE ARE CLIENT-ORIENTED COMPANY AND TRY TO BE BEST ONE FOR OUR CLIENTS IN SEGMENTS WE ARE PRESENT.

CENTRIFUGAL IMPELLER

KRR SERIES



Use

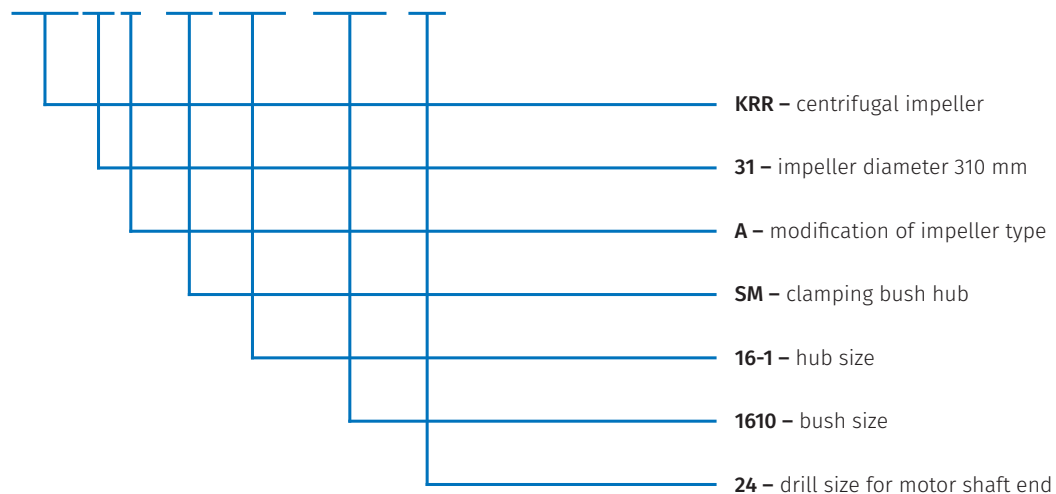
- HVAC
- Central air conditioners
- Air handling units (AHU)
- Plug fans
- Used as a free impeller
- The impellers are compatible with various AC/EC motors 50/60 Hz

Description

- Size: 310–800 mm
- Material: steel
- Coatings: RAL 5007. Cover type: GL
- Number of blades: 7
- Designed for continuous operation S1
- Fitting position: horizontal or vertical
- Contents of delivery:
 - inlet ring with the ability to measure volumetric flow;
 - screwed hub;
 - clamping sleeve for a specific motor shaft
- Min./Max. permissible ambient impeller temperature (transportable / storage): –40...+80 °C
- Min. ambient temperature: –20 °C
- Max. ambient temperature: +80 °C

Designation key

KRR31A/SM16-1/1610-24

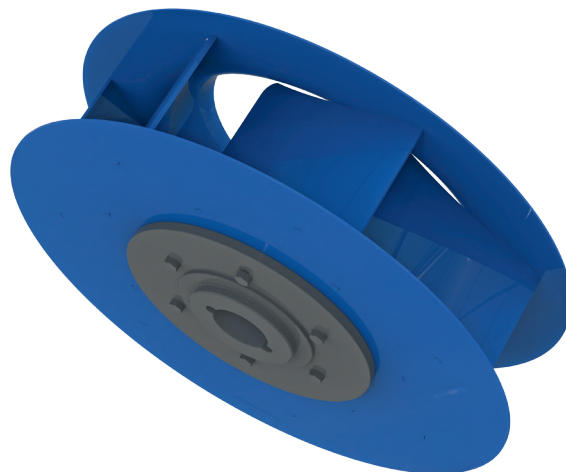


CENTRIFUGAL IMPELLER

KRR SERIES

Technical data

Model	Impeller	Hub type	Maximum speed [RPM]
KRR31A/SM12	KRR31A	SM12	4245
KRR31A/SM16-1		SM16-1	4245
KRR35A/SM12	KRR35A	SM12	3765
KRR35A/SM16-1		SM16-1	3765
KRR40A/SM16-1	KRR40A	SM16-1	3340
KRR40A/SM12		SM12	3340
KRR40A/SM20		SM20	3340
KRR45A/SM20	KRR45A	SM20	2970
KRR50A/SM20	KRR50A	SM20	2675
KRR56A/SM20	KRR56A	SM20	2310
KRR63A/SM20	KRR63A	SM20	2060
KRR63A/SM25		SM25	2060
KRR71A/SM25	KRR71A	SM25	1840
KRR80A/SM25	KRR80A	SM25	1620

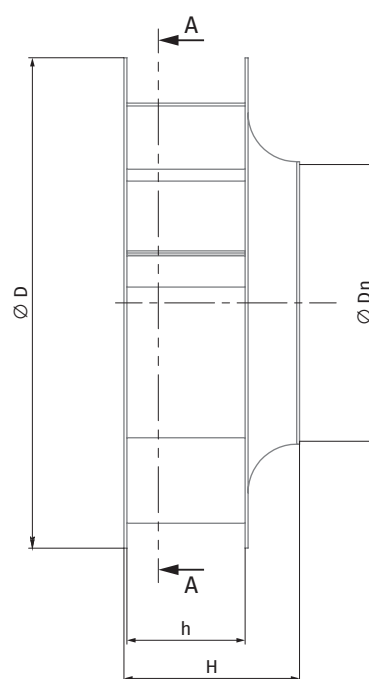
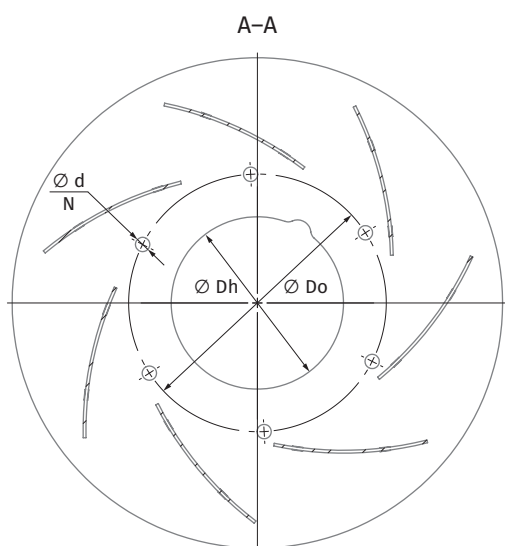


CENTRIFUGAL IMPELLER

KRR SERIES

Overall dimensions [mm]

Model	∅ D	∅ Dn	H	h	∅ Dh	∅ Do	∅ d	N [pc.]	Weight [kg]
KRR31A/SM16-1	361	203	128	87					4.27
KRR35A/SM16-1	406.2	228	144	98	110.3 ± 0.1	150	7.5		5.42
KRR40A/SM16-1	457	257	163	111					6.9
KRR40A/SM20	457	257	163	111				6	6.8
KRR45A/SM20	515	290	183	125	140.3 ± 0.1	190	9.5		11.1
KRR50A/SM20	580.5	326	206	140					15.64
KRR56A/SM20	644.2	363	229	156					19.26
KRR63A/SM25	721.8	406	256	174					29.72
KRR71A/SM25	811.8	457	287.24	196	170.3 ± 0.1	240	11.5	8	37.7
KRR80A/SM25	914	515	325	221					52.98
KRR40A/SM12	457	257	163	111					6.95
KRR31A/SM12	360	203	128	87	90.3 ± 0.1	135	7.5		4.32
KRR35A/SM12	406	228	144	98				6	5.46
KRR63A/SM20	721.8	406	256	174	140.3 ± 0.1	190	9.5		30.1

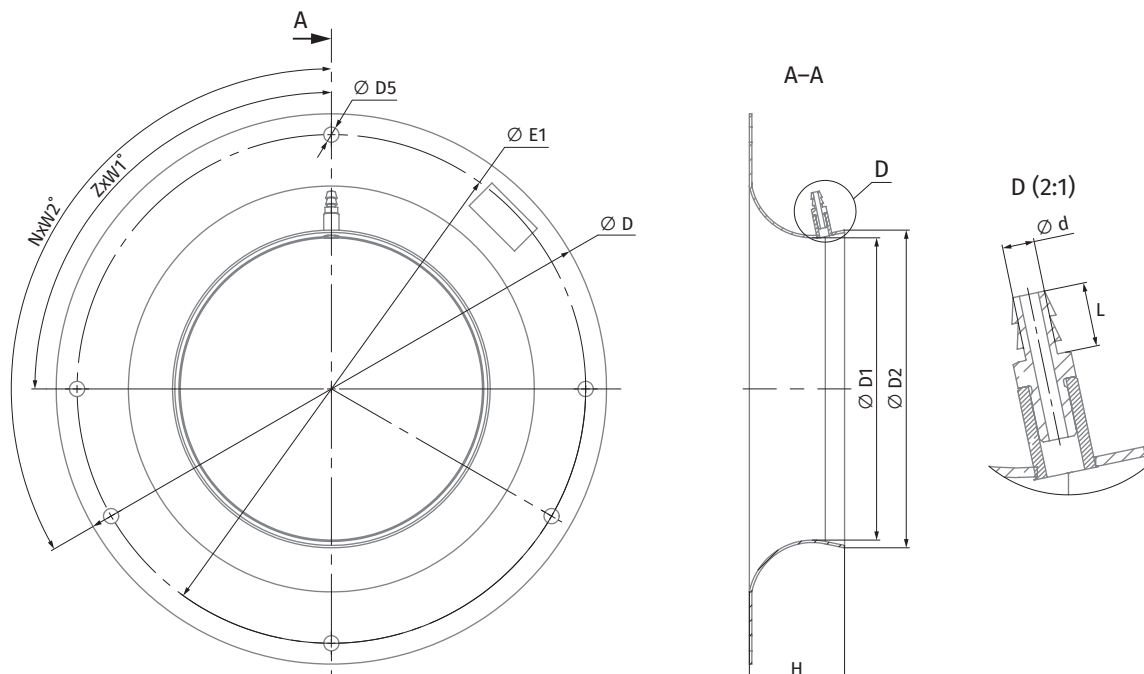


CONFUSER

KRR SERIES

Overall dimensions [mm]

Model	∅ D	H	∅ D1	∅ D2	∅ E1	∅ D5	∅ d (-1)	L (-1)	ZxW1°	NxW2°	Weight [kg]
IR 310(-1)BK ST	343	59	188.4	198	317	8.5	5	10	4x90	3x120	1.06
IR 355(-1)BK ST	378	66	213.1	223	352	8.5	5	10	4x90	3x120	1.28
IR 400(-1)BK ST	418	74	237.8	252	392	8.5	5	10	4x90	3x120	2.1
IR 450(-1)BK ST	464	83	270.7	280	438	8.5	5	10	4x90	3x120	2.6
IR 500(-1)BK ST	514	94	304.3	320	488	8.5	5	10	4x90	3x120	3.2
IR 560(-1)BK ST	564	104	339.7	355	538	8.5	5	10	4x90	3x120	3.8
IR 630(-1)BK ST	634	117	381.8	397	600	10.5	5	10	6x60	4x90	4.8
IR 710(-1)BK ST	704	131	428.9	447	670	10.5	5	10	6x60	4x90	5.9
IR 800(-1)BK ST	784	148	483.3	504	750	10.5	5	10	6x60	4x90	9.1



Modifications

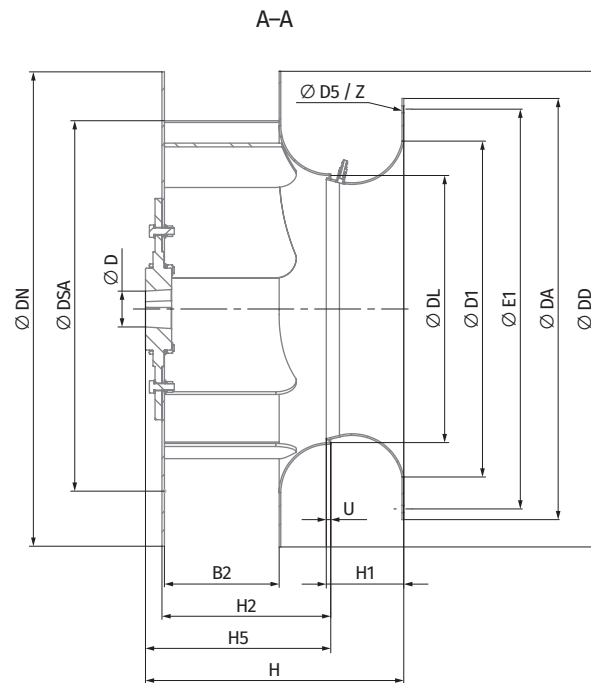
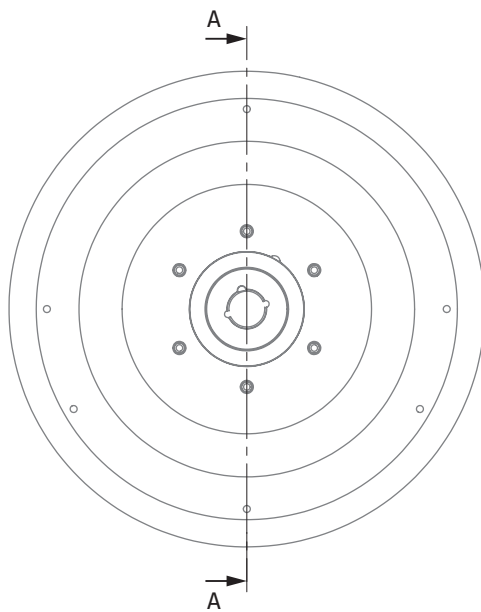
- IR 310 BK ST – without adapter for measuring device
- IR 310-1 BK ST – with adapter for measuring device

CENTRIFUGAL IMPELLER WITH CONFUSER

KRR SERIES

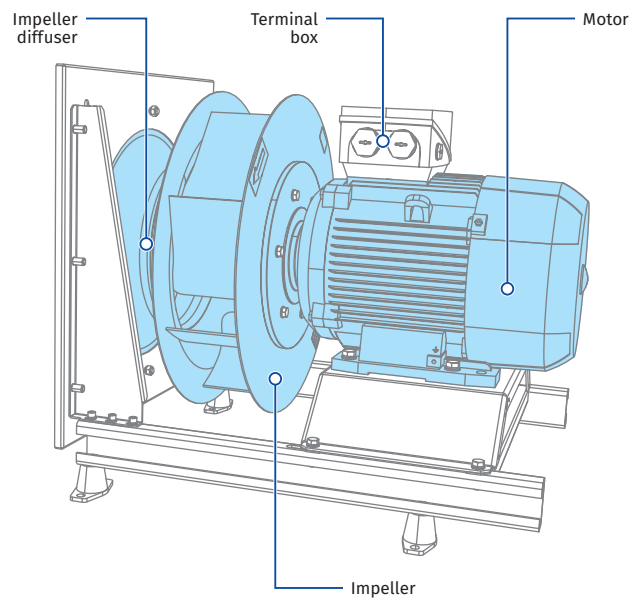
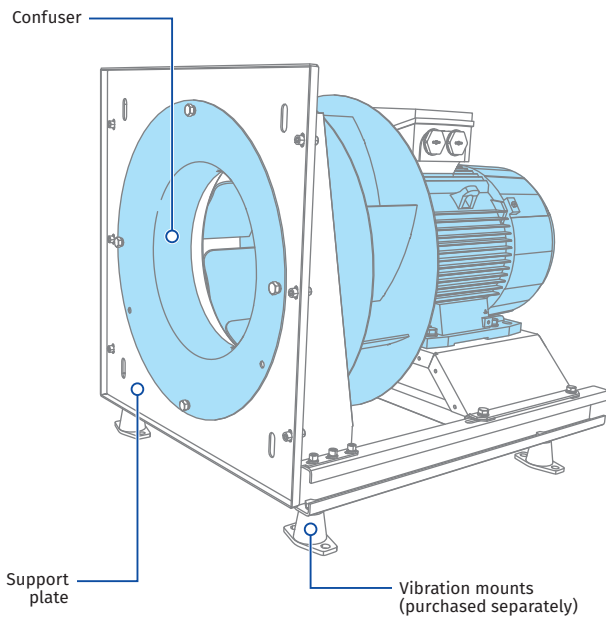
Overall dimensions [mm]

Model	∅ D	B2	∅ DA	∅ DD	∅ DL	∅ DN	∅ DSA	∅ D1	∅ D5	∅ E1	H	H1	H2	H5	U	Z
KRR31A/SM16-1	19-28	87	343	361	203	361	321	253	9.5	317	200	59	128	144	3	4x90°
KRR35A/SM16-1	19-28	98	378	406	228	406	362	286	8.5	352	222	66	144	160	3.5	4x90°
KRR40A/SM16-1	19-28	111	418	457	257	457	407	322	8.5	392	250	74	163	180	4	4x90°
KRR40A/SM20	38	111	418	457	257	457	407	322	8.5	392	253	74	163	183	4	4x90°
KRR45A/SM20	19-38	125	464	515	290	515	459	364	8.5	438	281	83	183	203	4.5	4x90°
KRR50A/SM20	24-42	140	514	580	326	580	516	410	8.5	488	315	94	206	226	5	4x90°
KRR56A/SM20	28-42	156	564	644	363	644	573	455	8.5	538	347	104	229	249	6	4x90°
KRR63A/SM25	28-42	174	634	722	406	722	664	510	10.5	600	393	117	256	283	6.5	6x60°
KRR71A/SM25	28-48	196	704	812	457	812	724	574	10.5	670	439	131	287.24	315	7	6x60°
KRR80A/SM25	38-48	221	784	914	515	914	818	646	10.5	750	492	148	325	352	8	6x60°



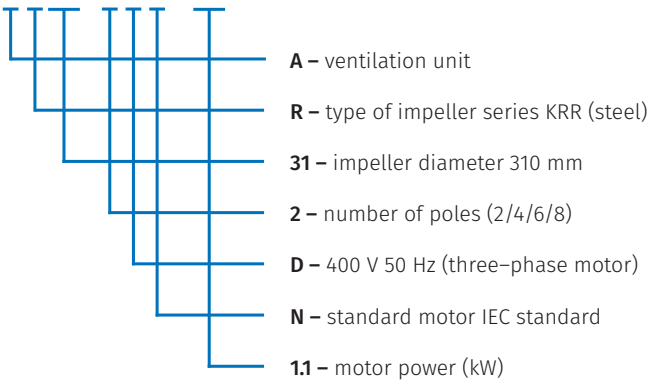
VENTILATION UNITS

AR SERIES



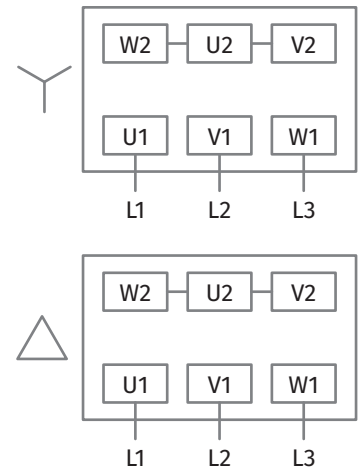
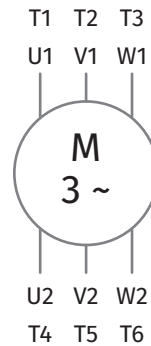
Designation key

AR31-2DN-1.1



Electrical connection diagram

TYPE D

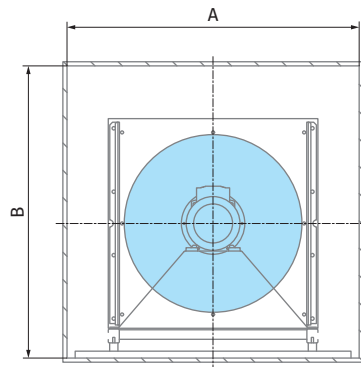
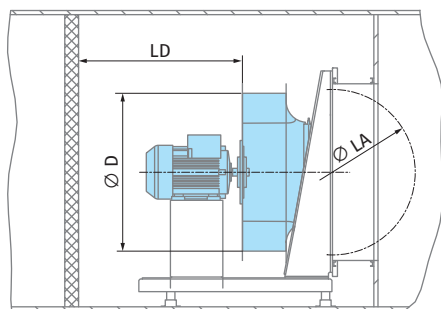


VENTILATION UNITS

AR SERIES

Mounting

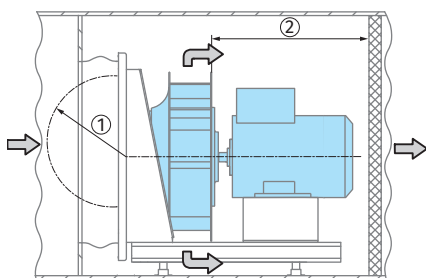
RECOMMENDATIONS FOR PLACING THE VENTILATION UNIT RELATIVE TO OTHER STRUCTURAL ELEMENTS



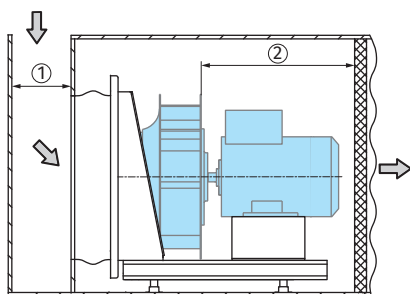
- Impeller outer diameter: $\varnothing D$
- Intake side distance: $LA \geq 0.5D$.
- In case of flow disturbance (e.g. bent air duct on the intake or damper side, etc.) $LA \geq D$.
- Pressure side distance: $LD \geq D$
- Distance from the casing wall: $A = B = 1.8D$

Below are general recommendations for placing the ventilation units based on experience of their application.

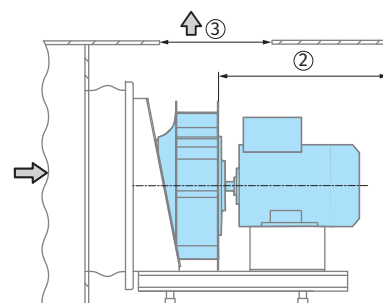
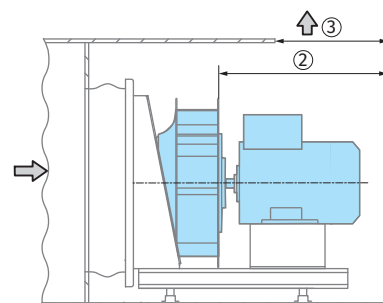
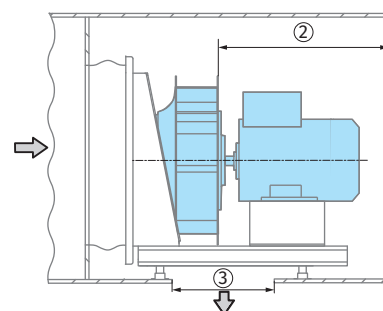
- Air flow capacity of a ventilation unit depends on the distance between the structural elements on the intake side "1" and the pressure side "2".
- On the intake side "1" $\geq 0.5D$.
- On the pressure side, the optimal value is "2" $\geq 1D$, the minimum value is "2" $\geq 0.7D$ (except when a cooling device or a humidifier is located after the unit).



- Changes in flow direction prior to the ventilation unit cause significant turbulence in the intake area.
- Intake side "1" $\geq 1D$, when using guide elements to suppress turbulence, this value can be reduced to "1" $0.7D$, otherwise noise and power loss will increase.



- The position of the opening can be above or below the ventilation unit – dimension "3" $\geq 0.8D$.
- The preferred design is that the opening extends the full width of the unit

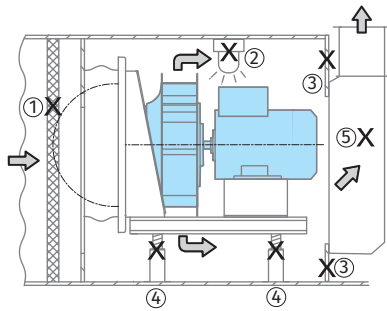


VENTILATION UNITS

AR SERIES

POSSIBLE CAUSES OF DECREASED OPERATION EFFICIENCY

- an obstruction on the intake side (e.g. heat exchanger too close) "1";
- obstruction on the pressure side (e.g. long fluorescent lamp) "2";
- air duct narrowing at outlet "3";
- obstruction on the pressure side (high lower supports) "4";
- flow direction change by 90° and reduction of cross-section "5"



RECOMMENDATIONS FOR THE LOCATION OF THE CONNECTING CABLE AND THE DISTRIBUTION BOX

- In harsh environments (e.g. wet rooms, outdoor installation), all connections must be routed with due consideration of water run-off direction. In order to prevent water ingress to the controller or motor housing through the connections, the terminal box must be installed below the motor.

Ø 310 MM, BACKWARD CURVED

AR SERIES



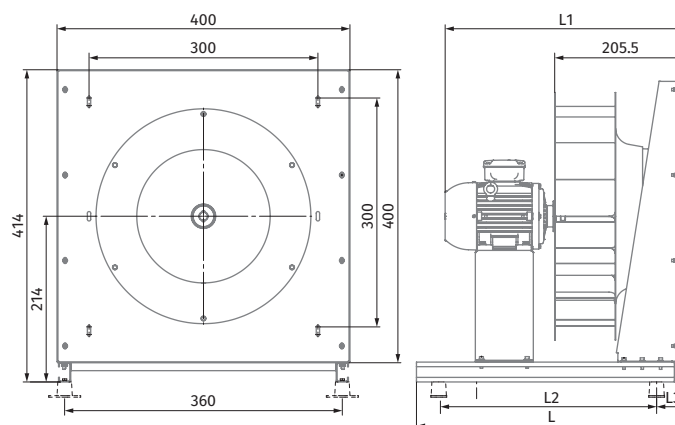
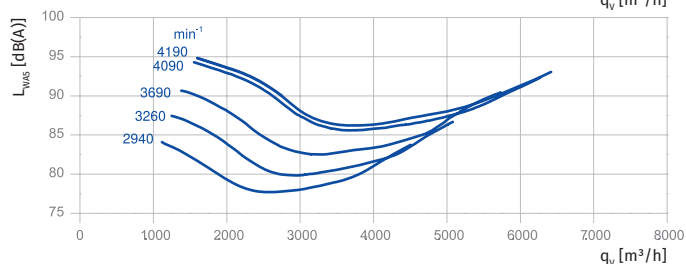
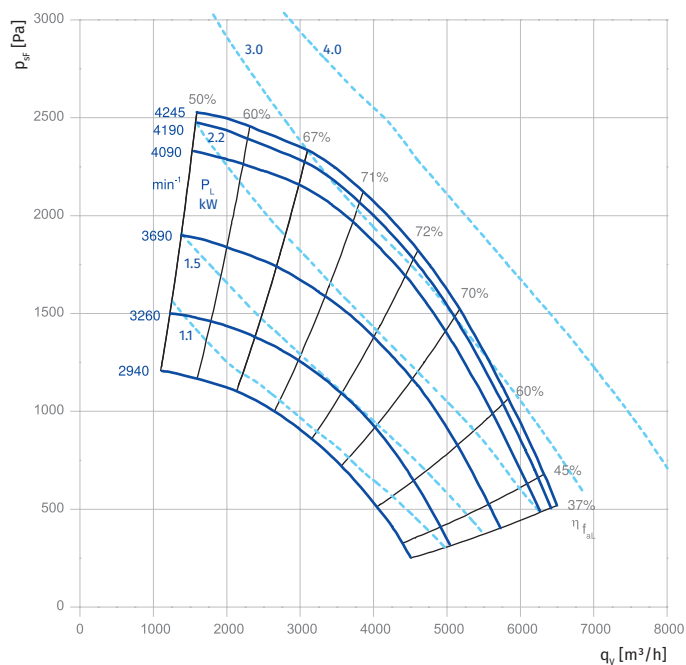
Features

- **Materials:** Impeller – welded sheet steel
Frame – aluminium
Terminal box – aluminium
- **Direction of rotation:** clockwise
- **Type of protection:** IP55
- **Insulation class:** 155(F) to 130(B)
- **Mode of operation:** S1
- **Bearing:** preloaded bearing DE
- **Motor protection:** (A) without (Standard)



Technical data

Model	Nominal voltage [VAC]	Frequency [Hz]	Speed n_n [RPM]	Speed n_{max} [RPM]	Power [kW]	Current [A]	Sound pressure level [dBA]	Permanent ambient temperature [°C]	Electrical connection
AR31-2DN-1.1	400	50	2845	2930	1.1	2.4	91	-20...+40	Type "D"/p. 5
AR31-2DN-1.5	400	50	2860	3250	1.5	3.4	94	-20...+40	Type "D"/p. 5
AR31-2DN-2.2	400	50	2880	3690	2.2	4.6	95	-20...+40	Type "D"/p. 5
AR31-2DN-3	400	50	2890	4100	3	6.1	100	-20...+40	Type "D"/p. 5
AR31-2DN-4	400	50	2905	4245	4	7.8	98	-20...+40	Type "D"/p. 5



Overall dimensions [mm]

Model	L	L1	L2	L3	Weight [kg]
AR31-2DN-1.1	460	448	462	63	29.8
AR31-2DN-1.5	570	473	434	43	35.4
AR31-2DN-2.2	570	498	448	43	38.6
AR31-2DN-3	570	523	472	63	46.8
AR31-2DN-4	570	538	436	95	53.8

Ø 355 mm, BACKWARD CURVED

AR SERIES



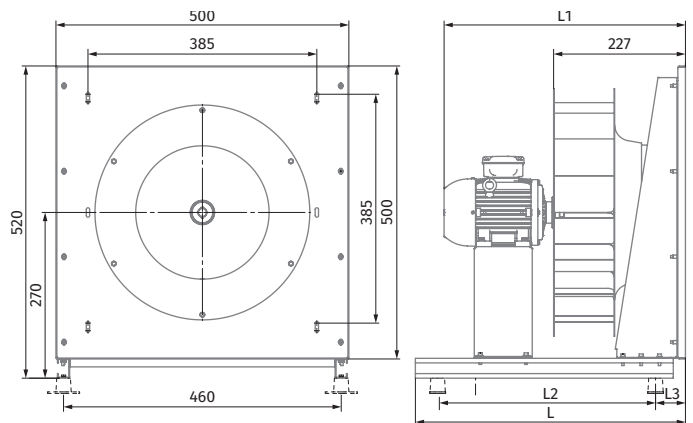
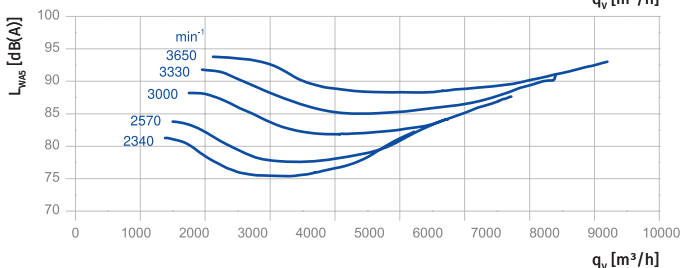
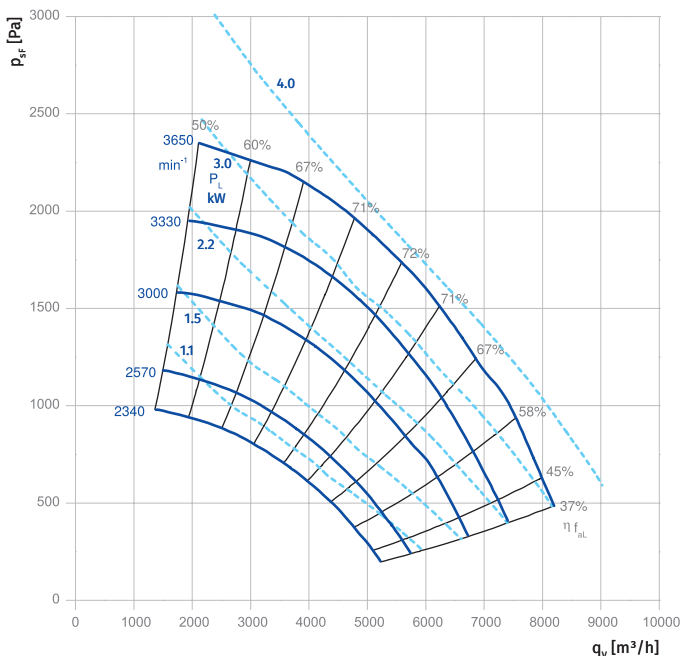
Features

- **Materials:** Impeller – welded sheet steel
Frame – aluminium
Terminal box – aluminium
- **Direction of rotation:** clockwise
- **Type of protection:** IP55
- **Insulation class:** 155(F) to 130(B)
- **Mode of operation:** S1
- **Bearing:** preloaded bearing DE
- **Motor protection:** (A) without (Standard)



Technical data

Model	Nominal voltage [VAC]	Frequency [Hz]	Speed n_n [RPM]	Speed n_{max} [RPM]	Power [kW]	Current [A]	Sound pressure level [dBA]	Permanent ambient temperature [°C]	Electrical connection
AR35-4DN-1.1	400	50	1415	2350	1.1	2.6	90	-20...+40	Type "D"/p. 5
AR35-4DN-1.5	400	50	1420	2500	1.5	3.4	91	-20...+40	Type "D"/p. 5
AR35-2DN-2.2	400	50	2880	3020	2.2	4.6	93	-20...+40	Type "D"/p. 5
AR35-2DN-3	400	50	2905	3350	3	6.1	94	-20...+40	Type "D"/p. 5
AR35-2DN-4	400	50	2905	3670	4	7.8	96	-20...+40	Type "D"/p. 5



Overall dimensions [mm]

Model	L	L1	L2	L3	Weight [kg]
AR35-4DN-1.1	570	496	432	43	37.9
AR35-4DN-1.5	570	521	448	43	40.1
AR35-2DN-2.2	570	521	448	43	41.1
AR35-2DN-3	570	546	466	69	42.3
AR35-2DN-4	594	571	436	99	56.3

Ø 400 mm, BACKWARD CURVED

AR SERIES



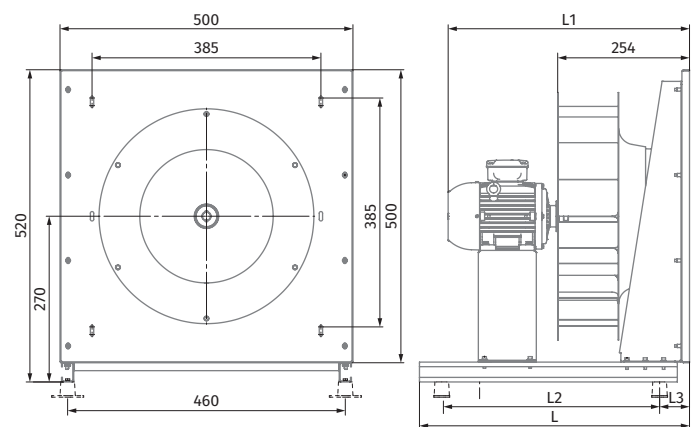
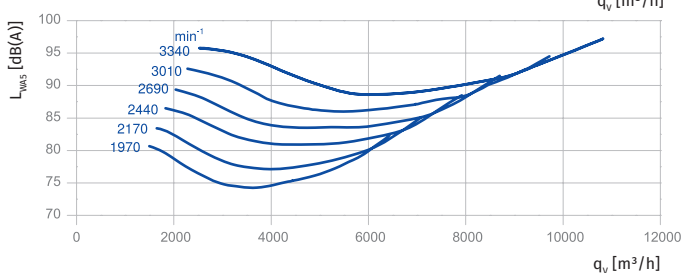
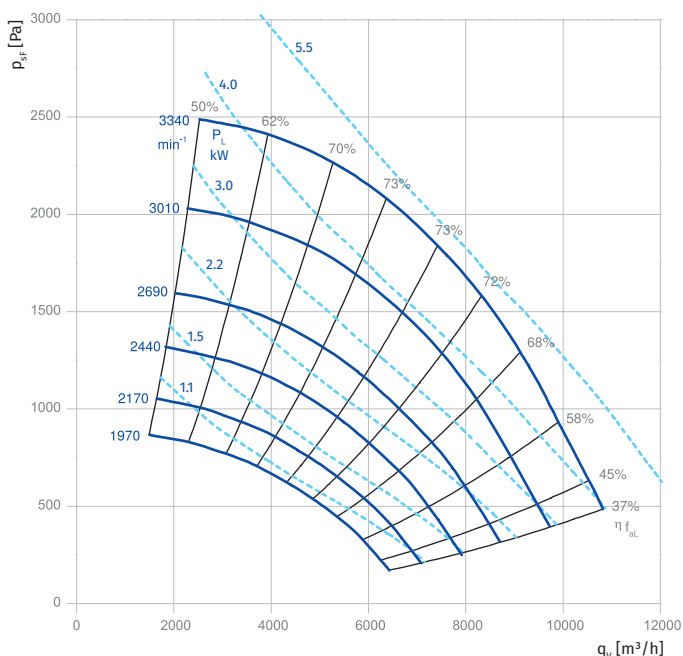
Features

- **Materials:** Impeller – welded sheet steel
Frame – aluminium
Terminal box – aluminium
- **Direction of rotation:** clockwise
- **Type of protection:** IP55
- **Insulation class:** 155(F) to 130(B)
- **Mode of operation:** S1
- **Bearing:** preloaded bearing DE
- **Motor protection:** (A) without (Standard)



Technical data

Model	Nominal voltage [VAC]	Frequency [Hz]	Speed n _n [RPM]	Speed n _{max} [RPM]	Power [kW]	Current [A]	Sound pressure level [dBA]	Permanent ambient temperature [°C]	Electrical connection
AR40-4DN-1.1	400	50	1415	1970	1.1	2.6	85	-20...+40	Type "D"/p. 5
AR40-4DN-1.5	400	50	1420	2180	1.5	3.4	87	-20...+40	Type "D"/p. 5
AR40-4DN-2.2	400	50	1420	2480	2.2	4.7	91	-20...+40	Type "D"/p. 5
AR40-4DN-3	400	50	1420	2650	3	6.4	93	-20...+40	Type "D"/p. 5
AR40-2DN-4	400	50	2905	3030	4	7.8	95	-20...+40	Type "D"/p. 5
AR40-2DN-5.5	400	50	2925	3340	5.5	10.3	97	-20...+40	Type "D"/p. 5



Overall dimensions [mm]

Model	L	L1	L2	L3	Weight [kg]
AR40-4DN-1.1	570	521.5	438	43	41.2
AR40-4DN-1.5	570	546.5	446	49	46.4
AR40-4DN-2.2	602	571.5	462	73	53.5
AR40-4DN-3	609	571.5	434	95	57.5
AR40-2DN-4	720	569.5	572	43	60.4
AR40-2DN-5.5	720	643.5	590	59	81.4

Ø 450 mm, BACKWARD CURVED

AR SERIES



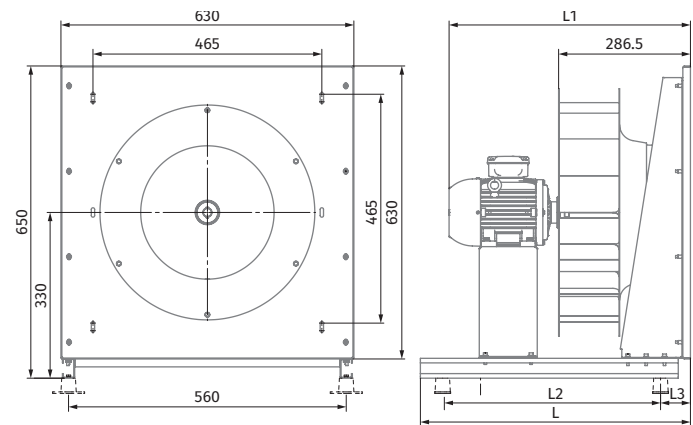
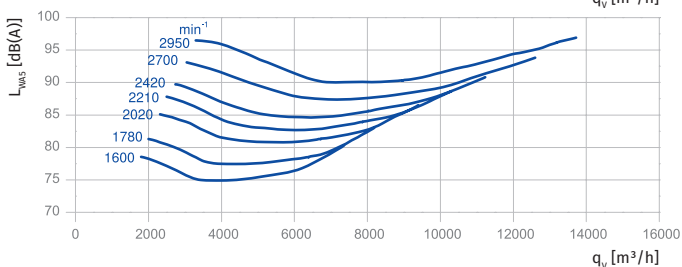
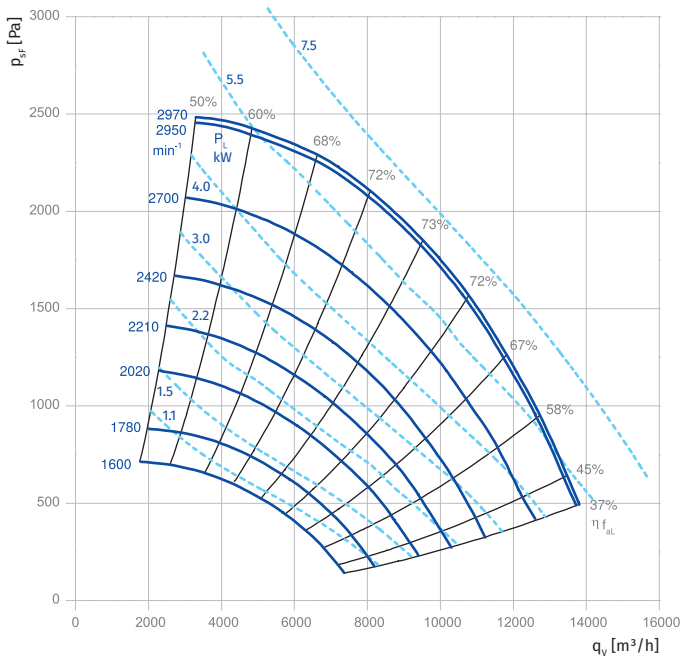
Features

- **Materials:** Impeller – welded sheet steel
Frame – aluminium
Terminal box – aluminium
- **Direction of rotation:** clockwise
- **Type of protection:** IP55
- **Insulation class:** 155(F) to 130(B)
- **Mode of operation:** S1
- **Bearing:** preloaded bearing DE
- **Motor protection:** (A) without (Standard)



Technical data

Model	Nominal voltage [VAC]	Frequency [Hz]	Speed n_N [RPM]	Speed n_{max} [RPM]	Power [kW]	Current [A]	Sound pressure level [dBA]	Permanent ambient temperature [°C]	Electrical connection
AR45-4DN-1.1	400	50	1415	1620	1.1	2.6	85	-20...+40	Type "D"/p. 5
AR45-4DN-1.5	400	50	1420	1790	1.5	3.4	87	-20...+40	Type "D"/p. 5
AR45-4DN-2.2	400	50	1420	2040	2.2	4.7	91	-20...+40	Type "D"/p. 5
AR45-4DN-3	400	50	1420	2250	3	6.4	94	-20...+40	Type "D"/p. 5
AR45-4DN-4	400	50	1440	2480	4	8.2	99	-20...+40	Type "D"/p. 5
AR45-4DN-5.5	400	50	1455	2740	5.5	11.4	102	-20...+40	Type "D"/p. 5
AR45-2DN-7.5	400	50	2930	2970	7.5	13.8	102	-20...+40	Type "D"/p. 5



Overall dimensions [mm]

Model	L	L1	L2	L3	Weight [kg]
AR45-4DN-1.1	604	552	446	43	48.7
AR45-4DN-1.5	604	577	440	55	54.1
AR45-4DN-2.2	642	602	462	73	61.2
AR45-4DN-3	642	602	432	95	65.2
AR45-4DN-4	720	627	478	73	72.1
AR45-4DN-5.5	720	672	638	43	89.2
AR45-2DN-7.5	720	672	630	55	90.2

Ø 500 mm, BACKWARD CURVED

AR SERIES



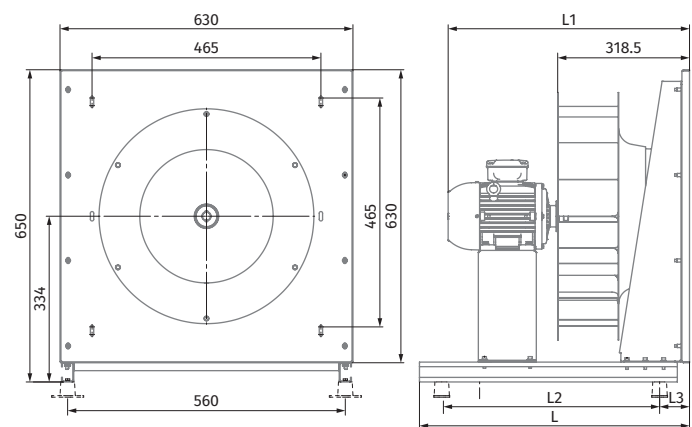
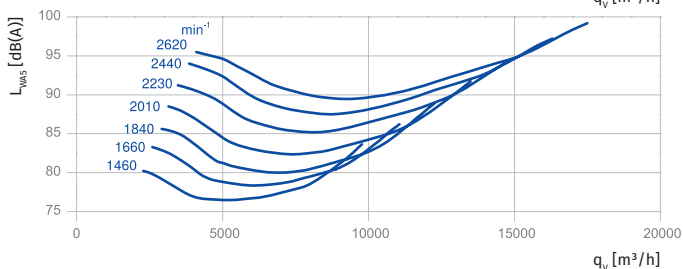
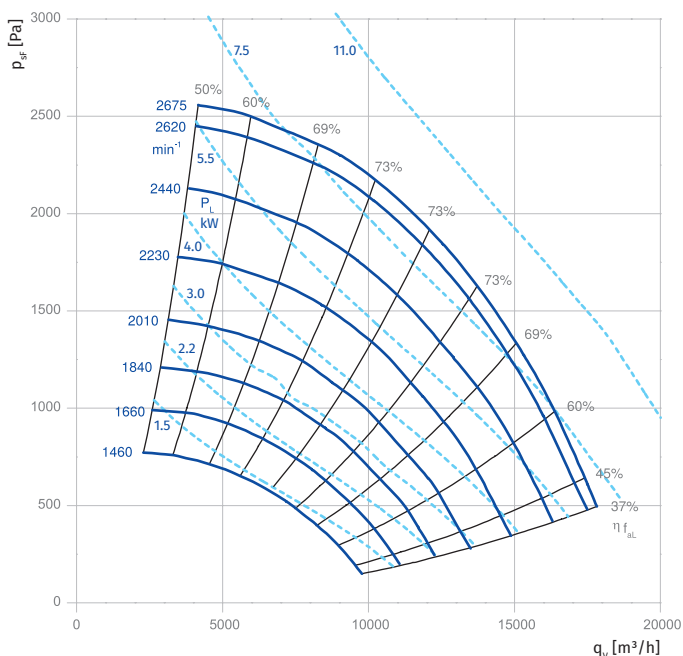
Features

- **Materials:** Impeller – welded sheet steel
Frame – aluminium
Terminal box – aluminium
- **Direction of rotation:** clockwise
- **Type of protection:** IP55
- **Insulation class:** 155(F) to 130(B)
- **Mode of operation:** S1
- **Bearing:** preloaded bearing DE
- **Motor protection:** (A) without (Standard)



Technical data

Model	Nominal voltage [VAC]	Frequency [Hz]	Speed n _n [RPM]	Speed n _{max} [RPM]	Power [kW]	Current [A]	Sound pressure level [dBA]	Permanent ambient temperature [°C]	Electrical connection
AR50-4DN-1.5	400	50	1420	1470	1.5	3.4	84	-20...+40	Type "D"/p. 5
AR50-4DN-2.2	400	50	1420	1670	2.2	4.7	88	-20...+40	Type "D"/p. 5
AR50-4DN-3	400	50	1420	1850	3	6.4	92	-20...+40	Type "D"/p. 5
AR50-4DN-4	400	50	1440	2030	4	8.2	96	-20...+40	Type "D"/p. 5
AR50-4DN-5.5	400	50	1455	2260	5.5	11.4	102	-20...+40	Type "D"/p. 5
AR50-4DN-7.5	400	50	1455	2510	7.5	15.2	107	-20...+40	Type "D"/p. 5
AR50-4DN-11	400	50	1460	2675	11	21.5	110	-20...+40	Type "D"/p. 5



Overall dimensions [mm]

Model	L	L1	L2	L3	Weight [kg]
AR50-4DN-1.5	728	620.5	549	55	54
AR50-4DN-2.2	728	620.5	549	55	60
AR50-4DN-3	728	620.5	549	55	64
AR50-4DN-4	730	620.5	602	55	68
AR50-4DN-5.5	730	620.5	602	55	81
AR50-4DN-7.5	815	620.5	602	55	95
AR50-4DN-11	889	620.5	776	55	115

Ø 560 mm, BACKWARD CURVED

AR SERIES



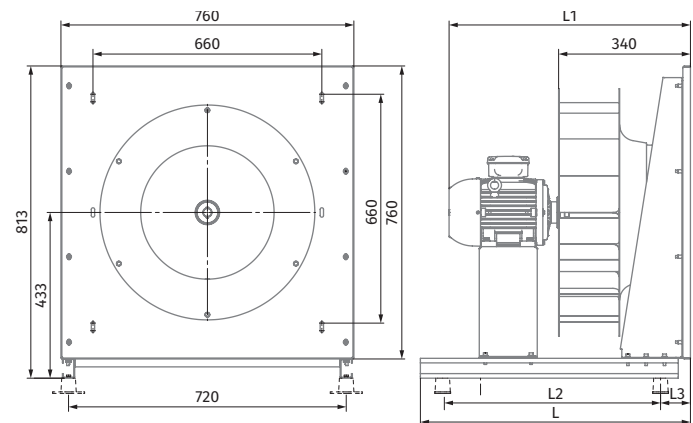
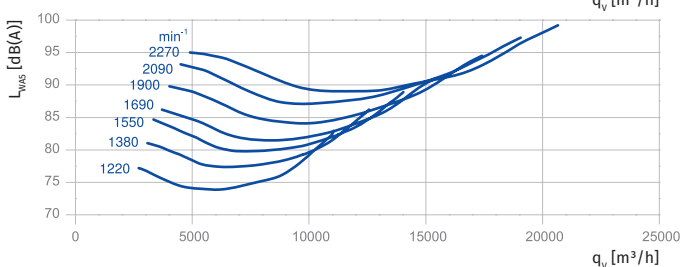
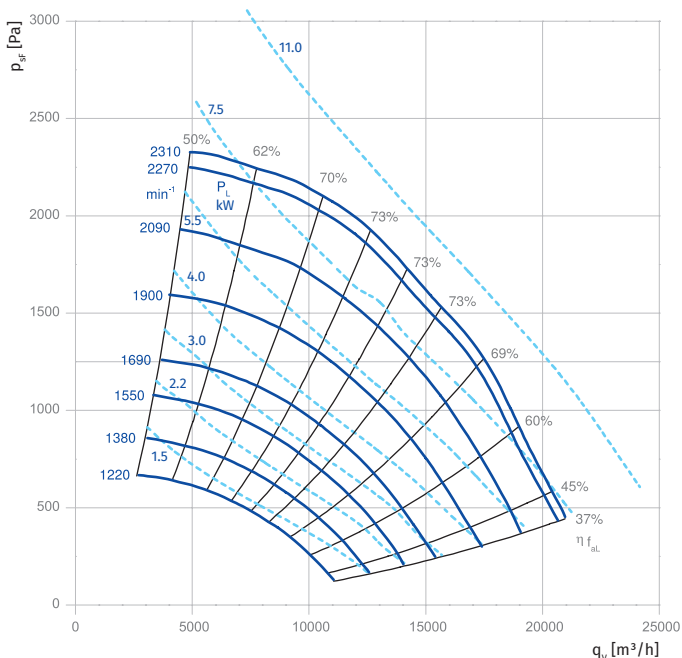
Features

- **Materials:** Impeller – welded sheet steel
Frame – aluminium
Terminal box – aluminium
- **Direction of rotation:** clockwise
- **Type of protection:** IP55
- **Insulation class:** 155(F) to 130(B)
- **Mode of operation:** S1
- **Bearing:** preloaded bearing DE
- **Motor protection:** (A) without (Standard)



Technical data

Model	Nominal voltage [VAC]	Frequency [Hz]	Speed n_N [RPM]	Speed n_{max} [RPM]	Power [kW]	Current [A]	Sound pressure level [dBA]	Permanent ambient temperature [°C]	Electrical connection
AR56-6DN-1.5	400	50	925	1230	1.5	3.9	85	-20...+40	Type "D"/p. 5
AR56-4DN-2.2	400	50	1420	1420	2.2	4.7	90	-20...+40	Type "D"/p. 5
AR56-4DN-3	400	50	1420	1550	3	6.4	95	-20...+40	Type "D"/p. 5
AR56-4DN-4	400	50	1440	1710	4	8.2	99	-20...+40	Type "D"/p. 5
AR56-4DN-5.5	400	50	1455	1900	5.5	11.4	103	-20...+40	Type "D"/p. 5
AR56-4DN-7.5	400	50	1455	2110	7.5	15.2	107	-20...+40	Type "D"/p. 5
AR56-4DN-11	400	50	1460	2310	11	21.5	109	-20...+40	Type "D"/p. 5

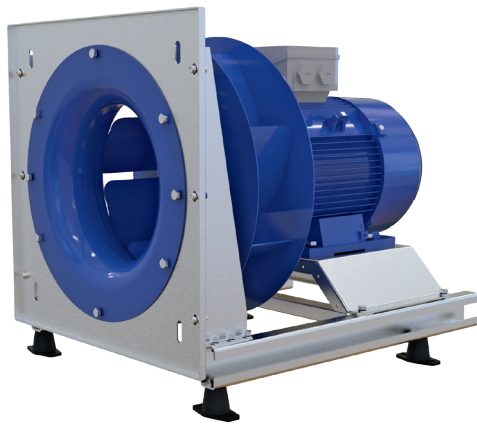


Overall dimensions [mm]

Model	L	L1	L2	L3	Weight [kg]
AR56-6DN-1.5	720	675.5	576	43	75.3
AR56-4DN-2.2	720	675.5	576	43	76.3
AR56-4DN-3	720	675.5	590	43	80.3
AR56-4DN-4	720	700.5	626	43	86.4
AR56-4DN-5.5	880	745.5	700	43	104.4
AR56-4DN-7.5	880	758.5	682	72	117
AR56-4DN-11	880	858.5	744	100	157.4

Ø 630 mm, BACKWARD CURVED

AR SERIES



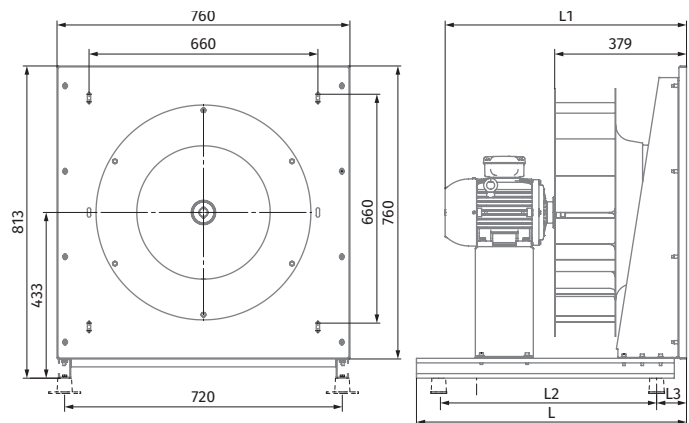
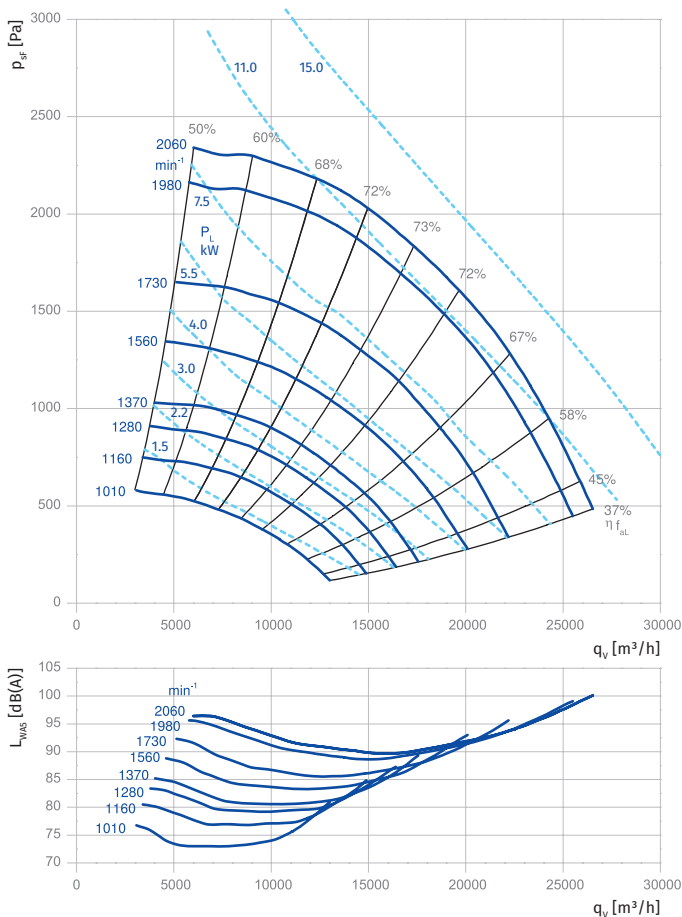
Features

- **Materials:** Impeller – welded sheet steel
Frame – aluminium
Terminal box – aluminium
- **Direction of rotation:** clockwise
- **Type of protection:** IP55
- **Insulation class:** 155(F) to 130(B)
- **Mode of operation:** S1
- **Bearing:** preloaded bearing DE
- **Motor protection:** (A) without (Standard)



Technical data

Model	Nominal voltage [VAC]	Frequency [Hz]	Speed n_n [RPM]	Speed n_{max} [RPM]	Power [kW]	Current [A]	Sound pressure level [dBA]	Permanent ambient temperature [°C]	Electrical connection
AR63-6DN-1.5	400	50	925	1020	1.5	3.9	85	-20...+40	Type "D"/p. 5
AR63-6DN-2.2	400	50	940	1160	2.2	5.2	89	-20...+40	Type "D"/p. 5
AR63-6DN-3	400	50	950	1285	3	7.2	93	-20...+40	Type "D"/p. 5
AR63-4DN-4	400	50	1440	1440	4	8.2	96	-20...+40	Type "D"/p. 5
AR63-4DN-5.5	400	50	1455	1570	5.5	11.4	97	-20...+40	Type "D"/p. 5
AR63-4DN-7.5	400	50	1455	1750	7.5	15.2	104	-20...+40	Type "D"/p. 5
AR63-4DN-11	400	50	1460	1985	11	21.5	108	-20...+40	Type "D"/p. 5
AR63-4DN-15	400	50	1460	2060	15	28.5	110	-20...+40	Type "D"/p. 5



Overall dimensions [mm]

Model	L	L1	L2	L3	Weight [kg]
AR63-6DN-1.5	720	723.5	584	60	89.6
AR63-6DN-2.2	720	748.5	646	43	95.4
AR63-6DN-3	880	793.5	698	55	113.7
AR63-4DN-4	720	748.5	642	55	100.6
AR63-4DN-5.5	880	793.5	732	43	118.7
AR63-4DN-7.5	880	883.5	784	55	131.3
AR63-4DN-11	880	906.5	734	120	171.6
AR63-4DN-15	880	956.5	690	165	192.3

Ø 710 MM, BACKWARD CURVED

AR SERIES



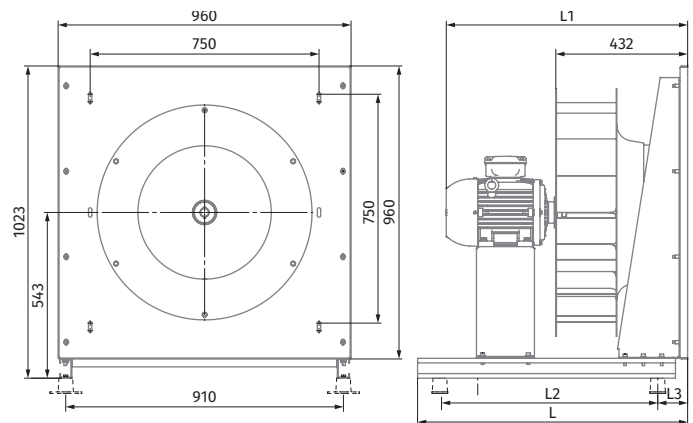
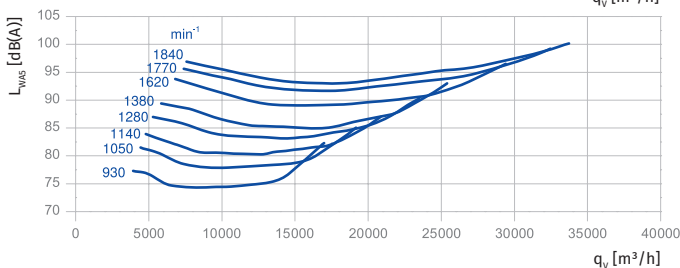
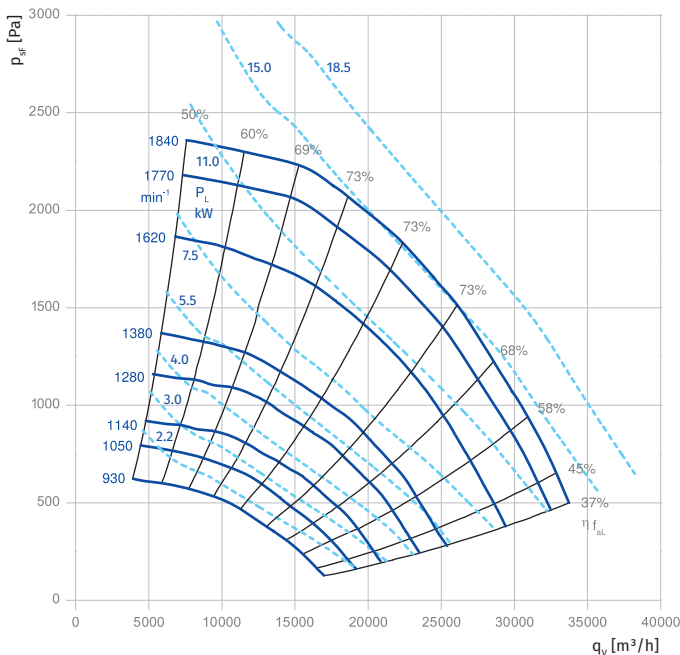
Features

- Materials: Impeller – welded sheet steel
Frame – aluminium
Terminal box – aluminium
- Direction of rotation: clockwise
- Type of protection: IP55
- Insulation class: 155(F) to 130(B)
- Mode of operation: S1
- Bearing: preloaded bearing DE
- Motor protection: (A) without (Standard)



Technical data

Model	Nominal voltage [VAC]	Frequency [Hz]	Speed n_N [RPM]	Speed n_{max} [RPM]	Power [kW]	Current [A]	Sound pressure level [dBA]	Permanent ambient temperature [°C]	Electrical connection
AR71-6DN-2.2	400	50	940	950	2.2	5.2	86	-20...+40	Type "D"/p. 5
AR71-6DN-3	400	50	950	1055	3	7.2	92	-20...+40	Type "D"/p. 5
AR71-6DN-4	400	50	950	1160	4	9.4	93	-20...+40	Type "D"/p. 5
AR71-6DN-5.5	400	50	950	1290	5.5	12.8	99	-20...+40	Type "D"/p. 5
AR71-6DN-7.5	400	50	1455	1455	7.5	15.2	105	-20...+40	Type "D"/p. 5
AR71-4DN-11	400	50	1460	1630	11	21.5	105	-20...+40	Type "D"/p. 5
AR71-4DN-15	400	50	1460	1800	15	28.5	105	-20...+40	Type "D"/p. 5
AR71-4DN-18.5	400	50	1465	1840	18.5	35	112	-20...+40	Type "D"/p. 5



Overall dimensions [mm]

Model	L	L1	L2	L3	Weight [kg]
AR71-6DN-2.2	885	798	709	98	116.8
AR71-6DN-3	885	843	730	60	133.7
AR71-6DN-4	885	843	744	68	149.7
AR71-6DN-5.5	885	843	782	60	153.7
AR71-6DN-7.5	885	843	774	60	151.7
AR71-4DN-11	1045	956	890	60	193.2
AR71-4DN-15	1045	1000	934	60	214.2
AR71-4DN-18.5	1045	1038	846	152	248.2

Ø 800 mm, BACKWARD CURVED

AR SERIES



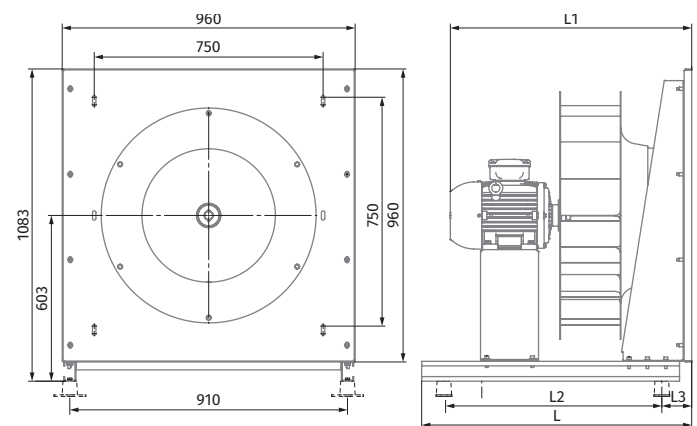
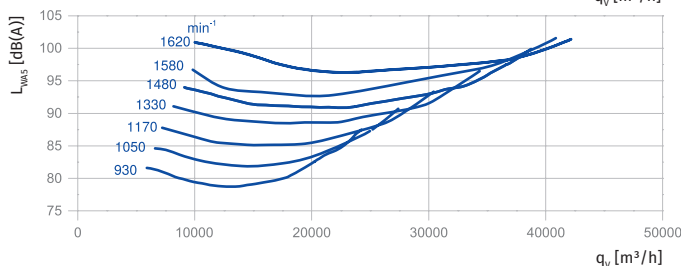
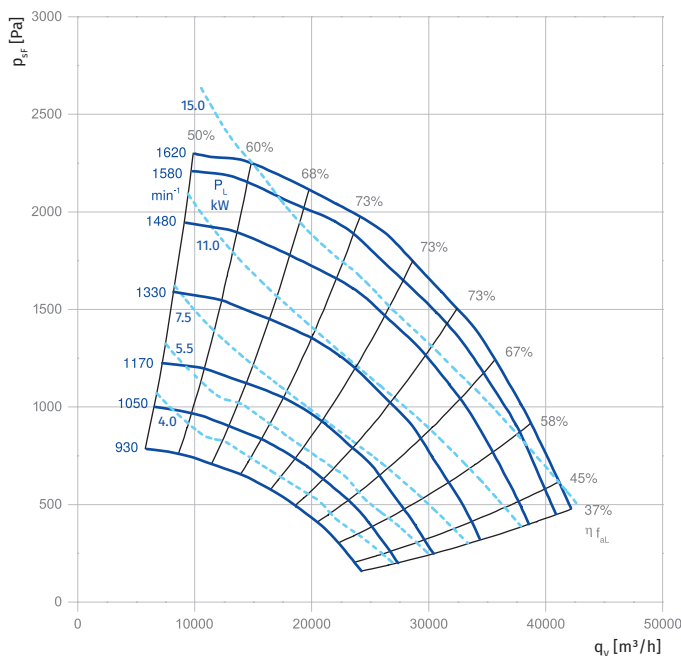
Features

- **Materials:** Impeller – welded sheet steel
Frame – aluminium
Terminal box – aluminium
- **Direction of rotation:** clockwise
- **Type of protection:** IP55
- **Insulation class:** 155(F) to 130(B)
- **Mode of operation:** S1
- **Bearing:** preloaded bearing DE
- **Motor protection:** (A) without (Standard)



Technical data

Model	Nominal voltage [VAC]	Frequency [Hz]	Speed n_n [RPM]	Speed n_{max} [RPM]	Power [kW]	Current [A]	Sound pressure level [dBA]	Permanent ambient temperature [°C]	Electrical connection
AR80-6DN-4	400	50	950	1160	4.0	9.4	93	-20...+40	Type "D"/p. 5
AR80-6DN-5.5	400	50	950	1290	5.5	12.8	99	-20...+40	Type "D"/p. 5
AR80-6DN-7.5	400	50	1455	1455	7.5	15.2	105	-20...+40	Type "D"/p. 5
AR80-6DN-11	400	50	1460	1630	11.0	21.5	105	-20...+40	Type "D"/p. 5
AR80-6DN-15	400	50	1460	1800	15.0	28.5	105	-20...+40	Type "D"/p. 5



Overall dimensions [mm]

Model	L	L1	L2	L3	Weight [kg]
AR80-6DN-4	1045	924	869	108	173
AR80-6DN-5.5	1045	924	869	108	182
AR80-6DN-7.5	1045	1000	869	108	263
AR80-6DN-11	1045	1048	869	108	263
AR80-6DN-15	1045	1048	869	108	263



Blauberg Group
Aidenbachstr. 52
D-81379 Munich
Tel.: +49 (0)89 231 66 620
Fax: +49 (0)89 780 69 521

sales@blauberg-motoren.com
blauberg-motoren.com

Technical changes reserved.
Illustrations and texts are non-binding.

01/2023