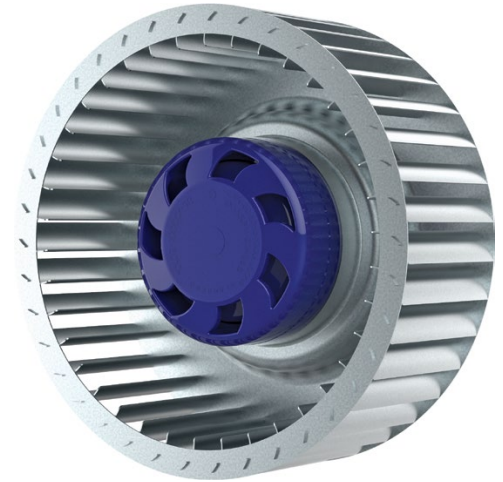


PRODUCT SPECIFICATION



TYPE	EC centrifugal fan, forward curved
MODEL	BL-F160C-EC-00

NOMINAL DATA

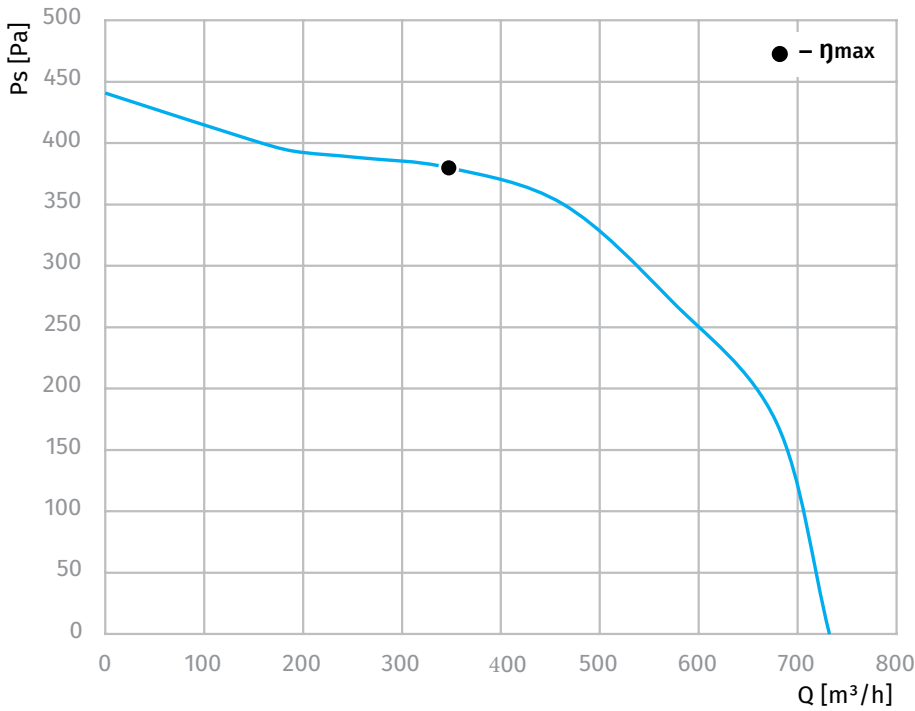


Phase	-	1~
Nominal Voltage	VAC	230
Frequency	Hz	50/60
Speed	RPM	2600
Power Input	W	179
Current	A	1.30
Sound Pressure Level	dBA	70
Valid For Approval/Standard		CE
Min. Ambient Temperature	°C	-25
Max. Ambient Temperature	°C	+60

TECHNICAL FEATURES

Mass	2 Kg
Dimensions	160 mm
Material Of Impeller	galvanized steel
Number Of Blades	38
Direction Of Rotation	Clockwise, seen on rotor
Surface Of Rotor	Coated in reflex BLUE C
Type of protection	IP55
Insulation Class	B
Condensate Discharge Holes	On rotor side
Min./Max. permissible ambient motor temperature (transportable/ storage)	- 40°C ... + 80°C
Operation Mode	S1
Motor Bearing	Ball bearing
Motor Protection	Self-resetting TOP wired internally
Length Of Cable	500 mm
RoHS	All material accord with RoHS
Min./Max. Humidity	0% ... 90% RH
Motor	External rotor EC motor
Deviation Of Impeller In Axial Direction	≤0.5mm
Deviation Of Impeller In Radial Direction	≤0.5mm

PERFORMANCE CURVES

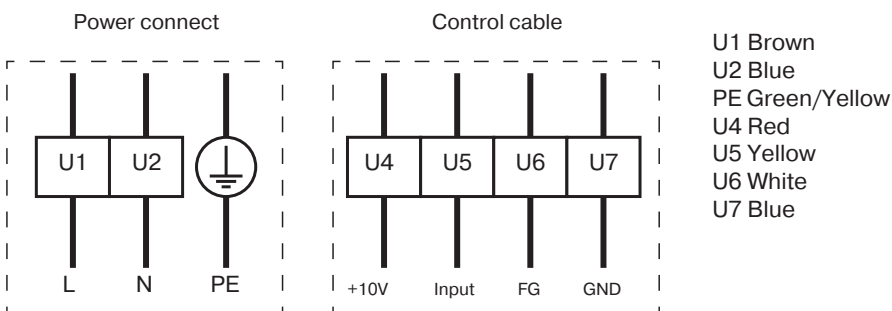


DATA ACCORDING TO ErP DIRECTIVE

Installation category	A
Efficiency category	Static
Variable speed drive	Yes
Specific ratio	1,00

	Actual	Request 2015
Overall efficiency η_{es}	37	31
Efficiency grade N	49.8	44
Power input P, W	99	
Air flow V, m ³ /h	348	
Pressure increase ΔP , Pa	380	

ELECTRICAL CONNECTION DIAGRAMM



DIMENSIONS DRAWING

