

## PRODUCT SPECIFICATION



<b>TYPE</b>	EC centrifugal fan, backward curved
<b>MODEL</b>	BL-B225D-EC-01

### NOMINAL DATA

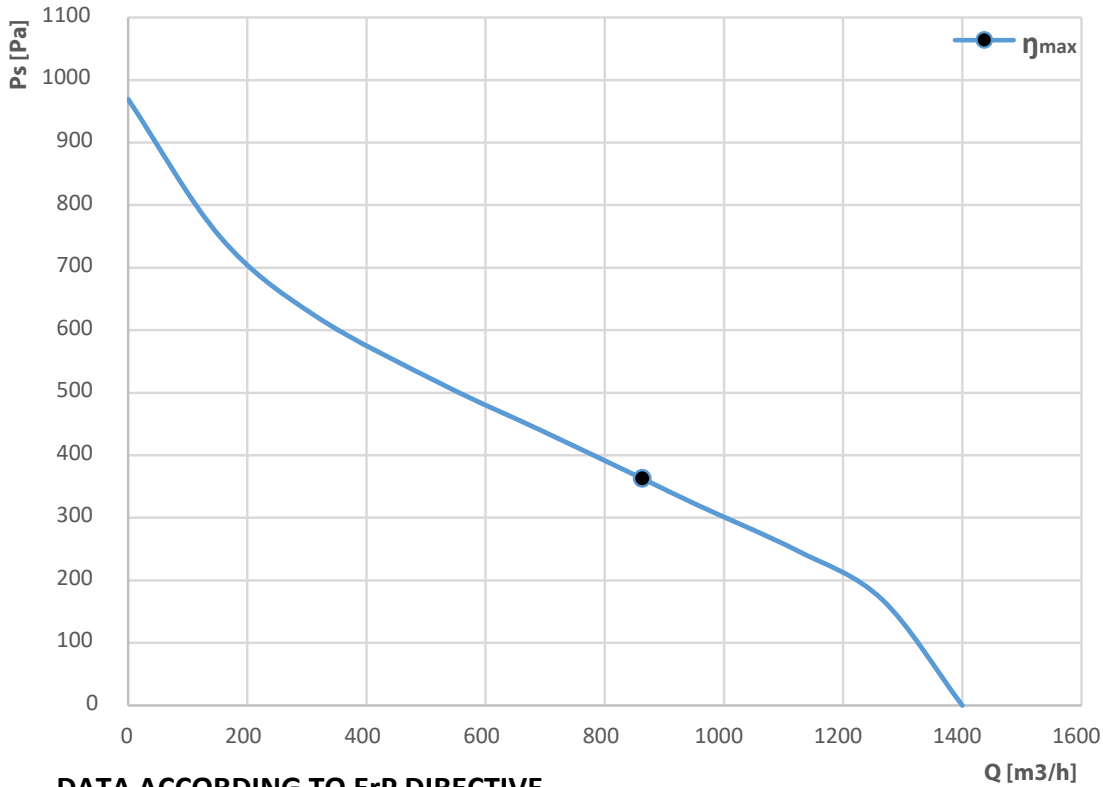


Phase	-	1~
Nominal Voltage	VAC	230
Frequency	Hz	50/60
Speed	RPM	3800
Power Input	W	165
Current	A	1.10
Sound Pressure Level	dBA	72
Valid For Approval/Standard		CE
Min. Ambient Temperature	°C	-25
Max. Ambient Temperature	°C	+60

### TECHNICAL FEATURES

Mass	1.85 Kg
Dimensions	225 mm
Material Of Impeller	PA plastic + 30% glass fiber
Number Of Blades	7
Direction Of Rotation	Clockwise, seen on rotor
Surface Of Rotor	Coated in reflex BLUE C
Type of protection	IP55
Insulation Class	B
Condensate Discharge Holes	On rotor side
Min./Max. permissible ambient motor temperature (transportable/ storage)	- 40°C ... + 80°C
Operation Mode	S1
Motor Bearing	Ball bearing
Motor Protection	Self-resetting TOP wired internally
Length Of Cable	500 mm
RoHS	All material accord with RoHS
Min./Max. Humidity	0% ... 90% RH
Motor	External rotor EC motor
Deviation Of Impeller In Axial Direction	≤0.5mm
Deviation Of Impeller In Radial Direction	≤0.5mm

**PERFORMANCE CURVES**

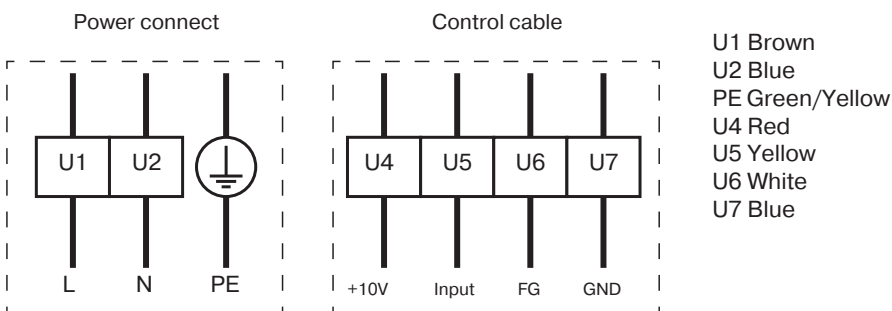


**DATA ACCORDING TO ErP DIRECTIVE**

Installation category	A
Efficiency category	Static
Variable speed drive	Yes
Specific ratio	1,00

	Actual	Request 2015
Overall efficiency $\eta_{es}$	59	43
Efficiency grade N	78	62
Power input P, W	168	
Air flow V, m <sup>3</sup> /h	863	
Pressure increase $\Delta P$ , Pa	363	

**ELECTRICAL CONNECTION DIAGRAMM**



DIMENSIONS DRAWING

