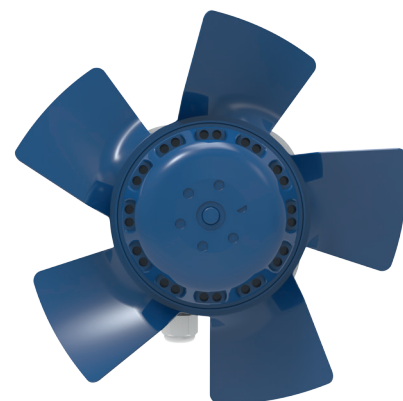


## PRODUCT SPECIFICATION



<b>TYPE</b>	AC axial fan, stamped blades
<b>MODEL</b>	<b>BL-A250A-2E-B01-B0</b> (Blowing)
<b>MODEL</b>	<b>BL-A250A-2E-B01-S0</b> (Suking)

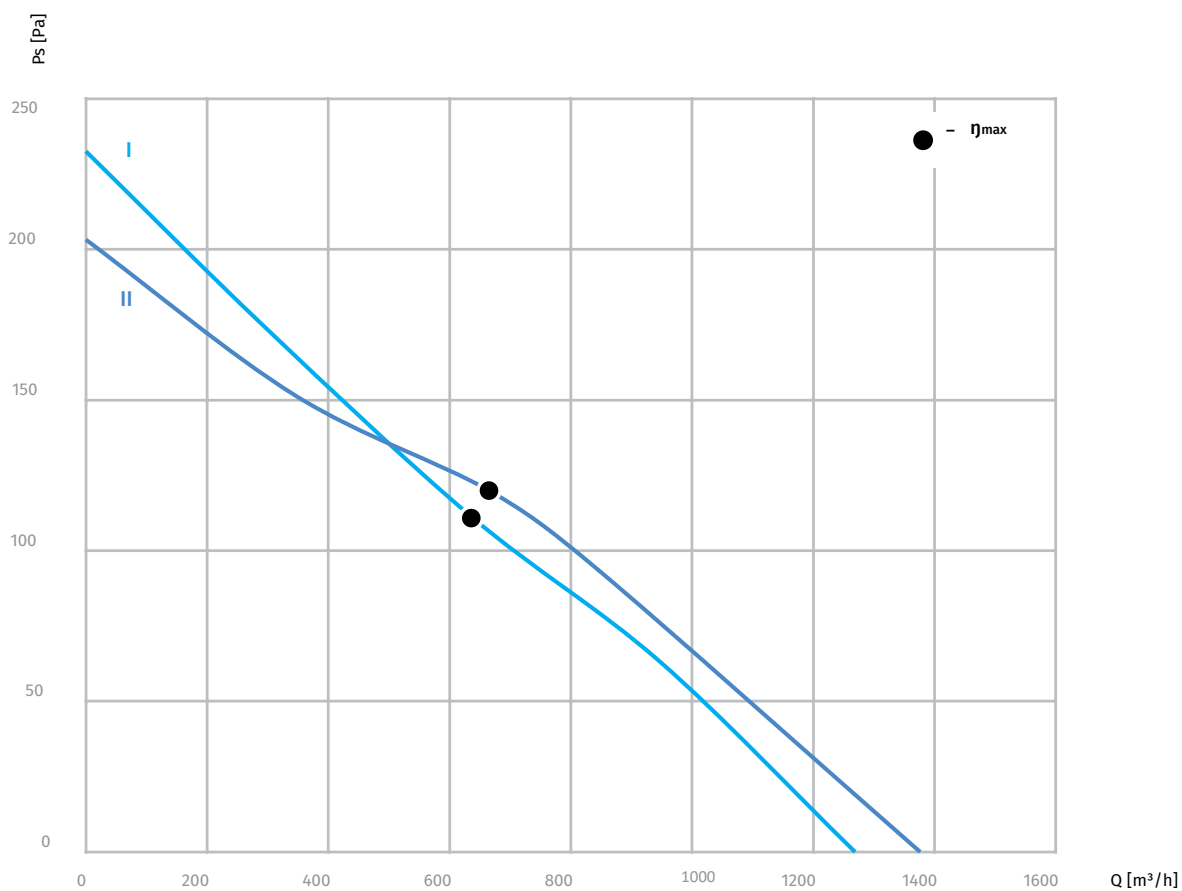
### NOMINAL DATA

Phase	-	1~	1~
Nominal Voltage	VAC	230	230
Frequency	Hz	50	60
Speed	RPM	2480	2560
Power Input	W	117	140
Current	A	0.52	0.61
Sound Pressure Level	dBA	60	62
Capacitor	µF	2	2
Capacitor Voltage	VDB	450	450
Valid For Approval/Standard		CE	CE
Min. Ambient Temperature	°C	-25	-25
Max. Ambient Temperature	°C	50	50
Perform. curve		I	II

### TECHNICAL FEATURES

Mass	2.4 Kg
Dimensions	250 mm
Material Of Impeller	alkyd coated steel, stamped
Number Of Blades	5
Direction Of Rotation (seen on rotor)	clockwise for "B"; counter-clockwise for "S"
Surface Of Rotor	Blue colour
Type of protection	IP44
Insulation Class	B
Condensate Discharge Holes	on rotor side
Min./Max. permissible ambient motor temperature (transportable/ storage)	- 40°C ... + 80°C
Operation Mode	S1
Motor Bearing	ball bearing
Motor Protection	self-resetting TOP wired internally
Electrical leads	Via terminal box
RoHS	all material accord with RoHS
Min./Max. Humidity	0% ... 90% RH
Motor	external rotor AC motor
Deviation Of Impeller In Axial Direction	≤1mm
Deviation Of Impeller In Radial Direction	≤1mm

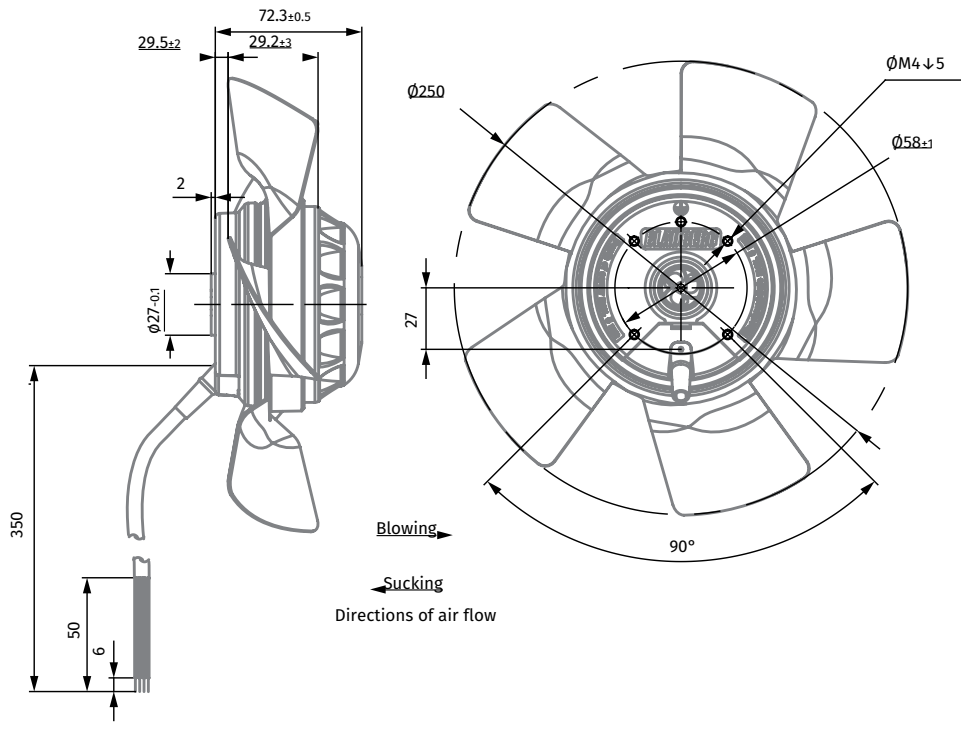
**PERFORMANCE CURVES**



**DATA ACCORDING TO ErP DIRECTIVE**

Not subject to ErP regulations ( $P_1 < 125W$ ).

**DIMENSIONS DRAWING**



**ELECTRICAL CONNECTION DIAGRAMM**

