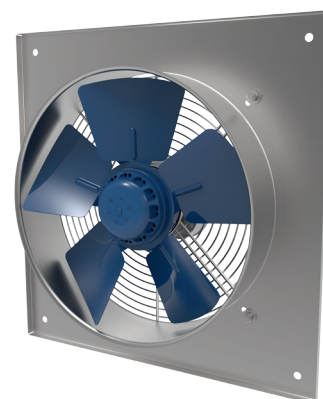


PRODUCT SPECIFICATION



| | |
|--------------|------------------------------|
| TYPE | AC axial fan, stamped blades |
| MODEL | Axis-Q 250 2E (Blowing) |

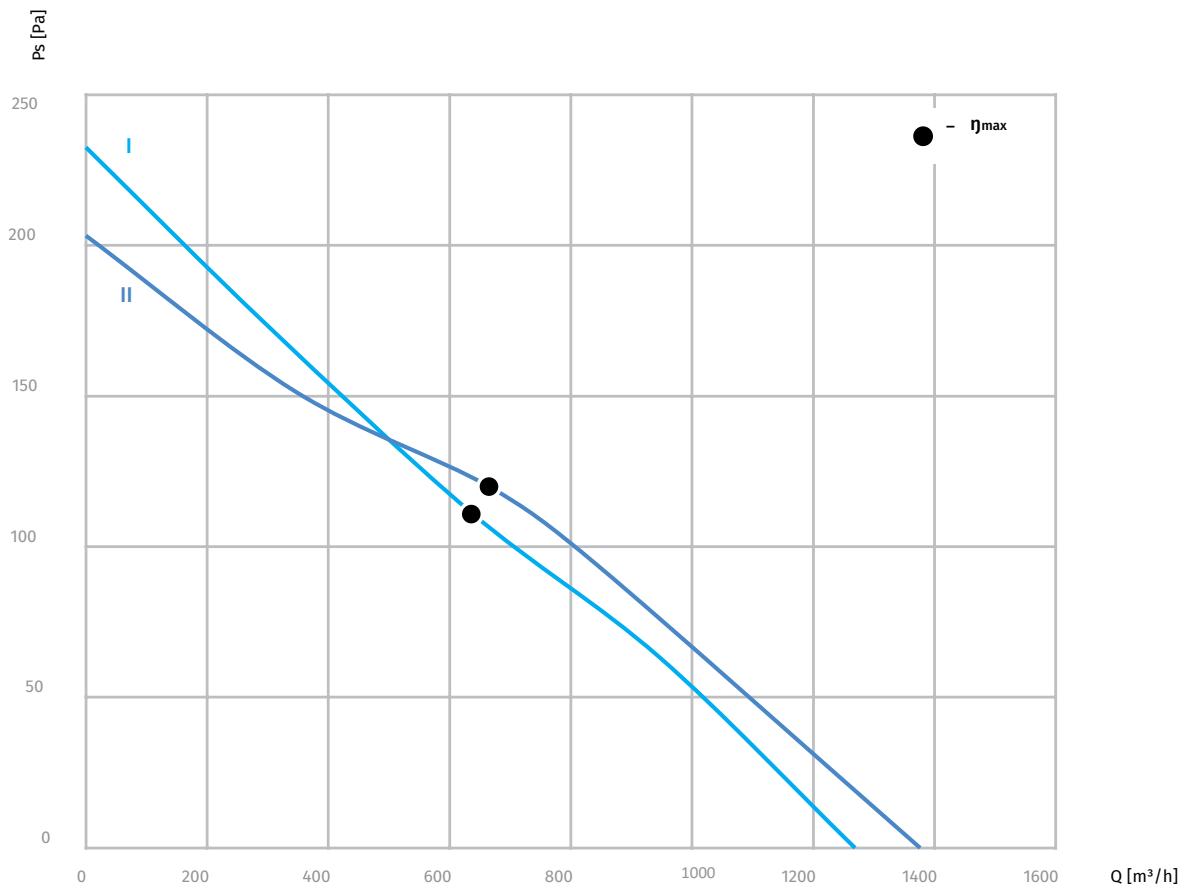
NOMINAL DATA

| | | | |
|-----------------------------|-----|------|------|
| Phase | - | 1~ | 1~ |
| Nominal Voltage | VAC | 230 | 230 |
| Frequency | Hz | 50 | 60 |
| Speed | RPM | 2480 | 2560 |
| Power Input | W | 117 | 140 |
| Current | A | 0.52 | 0.61 |
| Sound Pressure Level | dBA | 60 | 62 |
| Capacitor | µF | 2 | 2 |
| Capacitor Voltage | VDB | 450 | 450 |
| Valid For Approval/Standard | | CE | CE |
| Min. Ambient Temperature | °C | -25 | -25 |
| Max. Ambient Temperature | °C | 50 | 50 |
| Perform. curve | | I | II |

TECHNICAL FEATURES

| | |
|--|-------------------------------------|
| Mass | 4.0 Kg |
| Dimensions | 250 mm |
| Material Of Impeller | alkyd coated steel, stamped |
| Number Of Blades | 5 |
| Direction Of Rotation | clockwise, seen on rotor |
| Surface Of Rotor | Blue colour |
| Type of protection | IP44 |
| Insulation Class | B |
| Condensate Discharge Holes | on rotor side |
| Min./Max. permissible ambient motor temperature (transportable/ storage) | - 40°C ... + 80°C |
| Operation Mode | S1 |
| Motor Bearing | ball bearing |
| Motor Protection | self-resetting TOP wired internally |
| Electrical leads | Via terminal box |
| RoHS | all material accord with RoHS |
| Min./Max. Humidity | 0% ... 90% RH |
| Motor | external rotor AC motor |
| Deviation Of Impeller In Axial Direction | ≤1mm |
| Deviation Of Impeller In Radial Direction | ≤1mm |

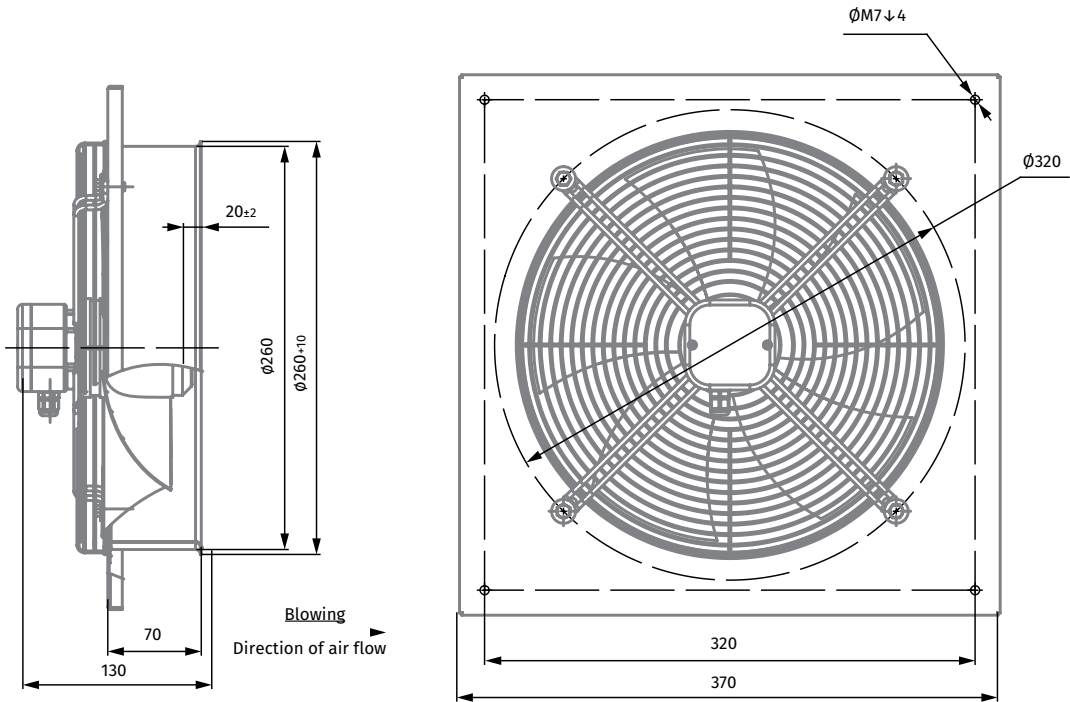
PERFORMANCE CURVES



DATA ACCORDING TO ErP DIRECTIVE

Not subject to ErP regulations ($P_1 < 125W$).

DIMENSIONS DRAWING



ELECTRICAL CONNECTION DIAGRAMM

