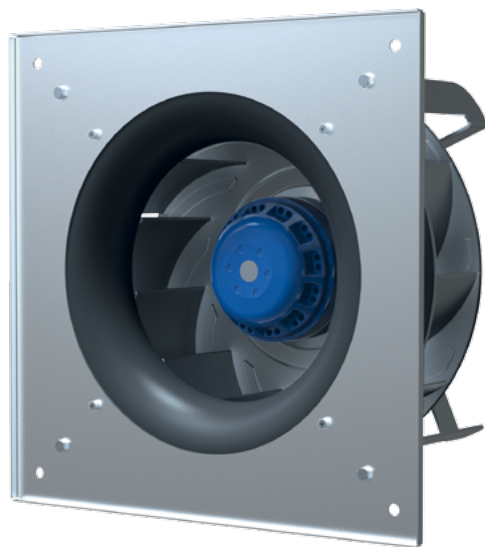


Ø 250 mm, BACKWARD CURVED

AC CENTRIFUGAL FAN



Features

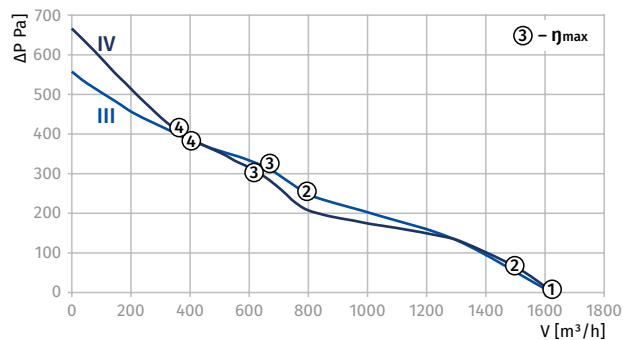
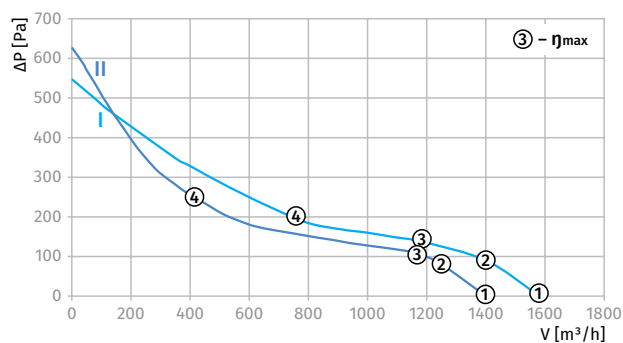
- **Materials:** Impeller – PA6+GF30+galvanized steel
Inlet ring– PA6+GF30
Housing – sheet steel, painted grey
- **Direction of rotation:** clockwise, seen on rotor
- **Type of protection:** IP44
- **Insulation class:** B
- **Mode of operation:** continuous operation (S1)
- **Bearing:** ball bearings
- **Motor protection:** self-resetting TOP wired internally



Technical data

| Model | Perform. curve | Nominal voltage [VAC] | Frequency [Hz] | Speed [RPM] | Power input max [W] | Current max [A] | Sound pres. level [dB(A)] | Perm. amb. temp. [°C] | Capacitor / Capacitor voltage [µF] / [VDB] | Electrical connection | Inlet ring |
|--------------------|----------------|-----------------------|----------------|-------------|---------------------|-----------------|---------------------------|-----------------------|--|-----------------------|------------|
| *L-B250A-2E-C01-01 | I | 230 | 50 | 2244 | 188 | 0.83 | 70 | -25 ... +50 | 3.0/450 | Type "A"/p. 39 | p.38 |
| | II | 230 | 60 | 1980 | 212 | 0.93 | 69 | -25 ... +50 | 3.0/450 | Type "A"/p. 39 | p.38 |
| *L-B250A-2E-D01-01 | III | 230 | 50 | 2230 | 195 | 0.85 | 72 | -25 ... +50 | 4.0/450 | Type "A"/p. 39 | p.38 |
| | IV | 230 | 60 | 2170 | 241 | 1.05 | 70 | -25 ... +50 | 4.0/450 | Type "A"/p. 39 | p.38 |

PERFORMANCE CURVES

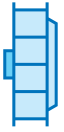


| Curve | Point | n [RPM] | Pi [W] | I [A] |
|-------|-------|---------|--------|-------|
| I | 1 | 2450 | 168 | 0.72 |
| | 2 | 2360 | 166 | 0.73 |
| | 3 | 2244 | 168 | 0.74 |
| | 4 | 1940 | 185 | 0.81 |
| II | 1 | 2280 | 180 | 0.85 |
| | 2 | 2200 | 200 | 0.87 |
| | 3 | 1980 | 208 | 0.91 |
| | 4 | 1880 | 208 | 0.92 |
| III | 1 | 2240 | 165 | 0.72 |
| | 2 | 2120 | 194 | 0.85 |
| | 3 | 2230 | 183 | 0.8 |
| | 4 | 2200 | 167 | 0.73 |
| IV | 1 | 2570 | 212 | 0.98 |
| | 2 | 2400 | 229 | 1.00 |
| | 3 | 2170 | 233 | 1.02 |
| | 4 | 2410 | 223 | 0.97 |

Ø 250 MM, BACKWARD CURVED

AC CENTRIFUGAL FAN

Overall Dimensions

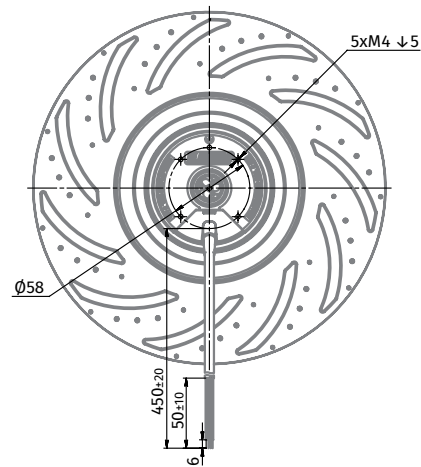
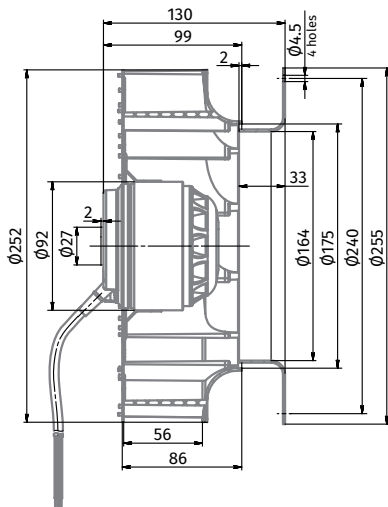


| Centrifugal Fan | Weight [kg] |
|--------------------|-------------|
| BL-B250A-2E-C01-01 | 2.58 |
| BL-B250A-2E-D01-01 | 2.88 |



| Centrifugal Fan with Plug Fan Casing | Weight [kg] |
|--------------------------------------|-------------|
| GL-B250A-2E-C01-01 | 3.65 |
| GL-B250A-2E-D01-01 | 3.95 |

BL-B250A-2E-C01-01, BL-B250A-2E-D01-01



GL-B250A-2E-C01-01, GL-B250A-2E-D01-01

