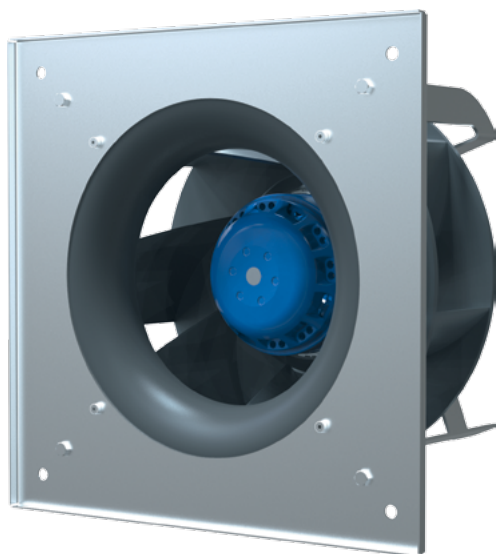


Ø 225 MM, BACKWARD CURVED

AC CENTRIFUGAL FAN



Features

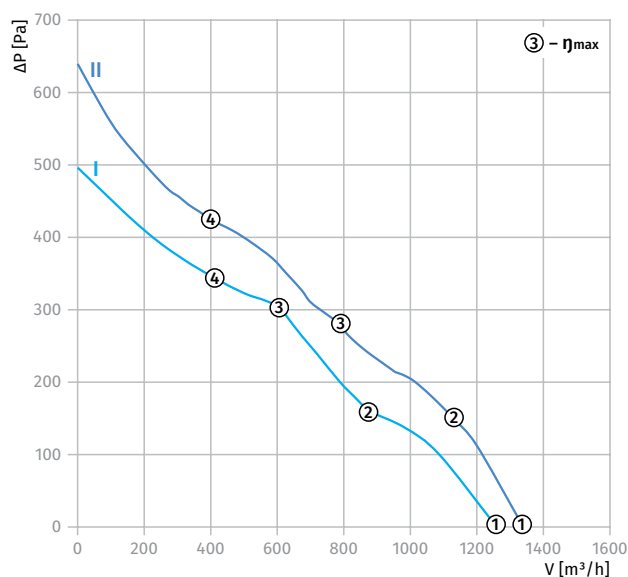
- **Materials:** Impeller – PA6+GF30
Inlet ring – PA6+GF30
Housing – galvanized steel
- **Direction of rotation:** clockwise, seen on rotor
- **Type of protection:** IP44
- **Insulation class:** B
- **Mode of operation:** continuous operation (S1)
- **Bearing:** ball bearings
- **Motor protection:** self-resetting TOP wired internally



Technical data

Model	Perform. curve	Nominal voltage [VAC]	Frequency [Hz]	Speed [RPM]	Power input max [W]	Current max [A]	Sound pres. level [dB(A)]	Perm. amb. temp. [°C]	Capacitor / Capacitor voltage [µF] / [VDB]	Electrical connection	Inlet ring
*L-B225B-2E-C01-01	I	230	50	2480	129	0.57	69	-25 ... +50	4,0/450	Type "A"/p. 39	p.38
	II	230	60	2600	182	0.80	71	-25 ... +50	4,0/450	Type "A"/p. 39	p.38

PERFORMANCE CURVES



Curve	Point	n [RPM]	Pi [W]	I [A]
I	1	2580	119	0.52
	2	2570	118	0.52
	3	2480	128	0.56
	4	2530	121	0.53
II	1	2805	170	0.74
	2	2730	172	0.77
	3	2600	182	0.80
	4	2740	173	0.76

Ø 225 MM, BACKWARD CURVED

AC CENTRIFUGAL FAN

Overall Dimensions

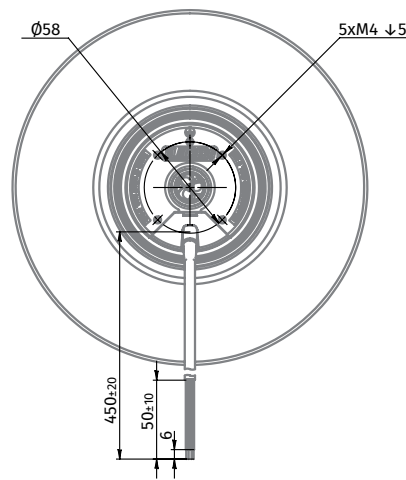
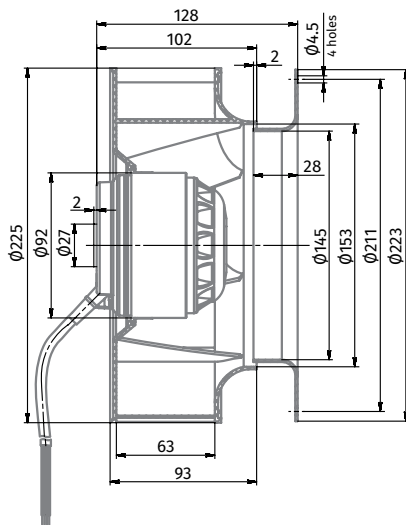


Centrifugal Fan	Weight [kg]
BL-B225B-2E-C01-01	2.34



Centrifugal Fan with Plug Fan Casing	Weight [kg]
GL-B225B-2E-C01-01	3.25

BL-B225B-2E-C01-01



GL-B225B-2E-C01-01

