

Ø 220 mm, BACKWARD CURVED

EC CENTRIFUGAL FAN



Features

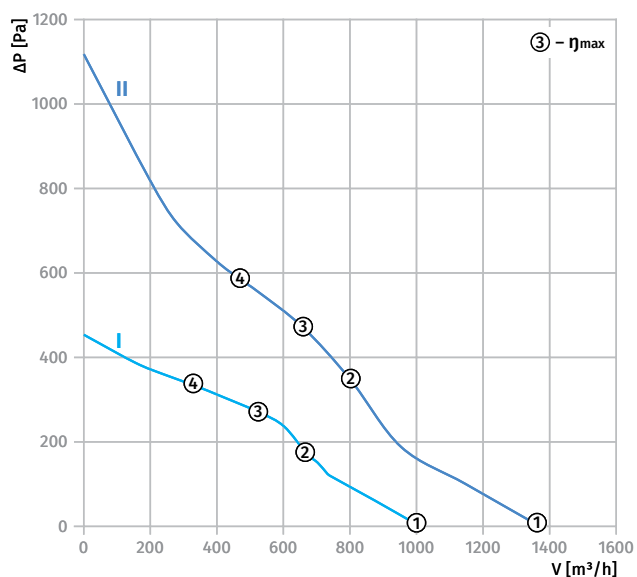
- **Materials:** Impeller – PA6+GF30
Inlet ring – PA6+GF30
Housing – sheet steel, painted grey
- **Direction of rotation:** clockwise, seen on rotor
- **Type of protection:** IP55
- **Insulation class:** B
- **Mode of operation:** S1
- **Bearing:** ball bearings
- **Motor protection:** self-resetting TOP wired internally



Technical data

Model	Perform. curve	Nominal voltage [VAC]	Frequency [Hz]	Speed [RPM]	Power input max [W]	Current max [A]	Sound pres. level [dB(A)]	Perm. amb. temp. [°C]	Electrical connection	Inlet ring
*L-B220C-EC-00	I	230	50/60	2470	86	0.71	70	-25 ... +60	Type "E"/p. 39	p.38
*L-B220C-EC-01	II	230	50/60	2250	168	1.27	72	-25 ... +60	Type "E"/p. 39	p.38

PERFORMANCE CURVES

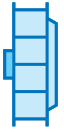


Curve	Point	n [RPM]	Pi [W]	I [A]
I	1	2600	79	0.65
	2	2450	86	0.71
	3	2470	84	0.69
	4	2520	78	0.65
II	1	2500	168	1.27
	2	2290	168	1.27
	3	2250	168	1.27
	4	3400	168	1.27

Ø 220 MM, BACKWARD CURVED

EC CENTRIFUGAL FAN

Overall Dimensions

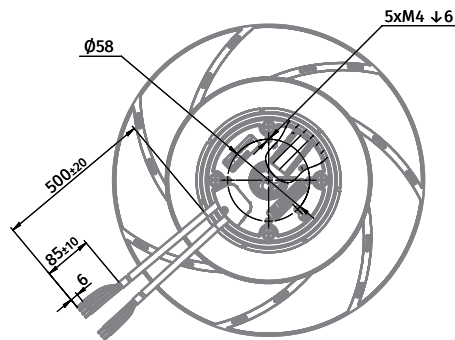
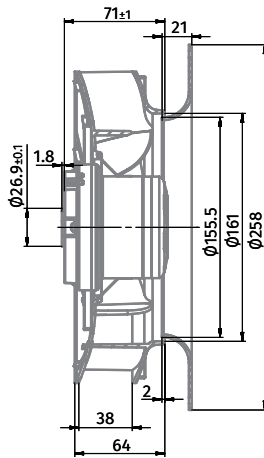


Centrifugal Fan	Weight [kg]
BL-B220C-EC-00	1.15
BL-B220C-EC-01	1.7

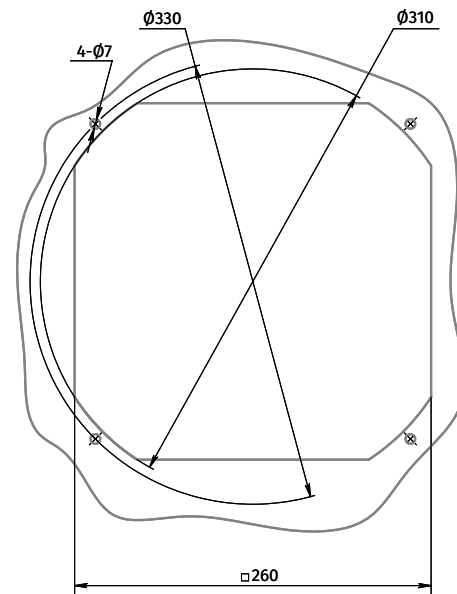
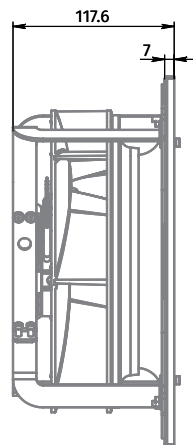
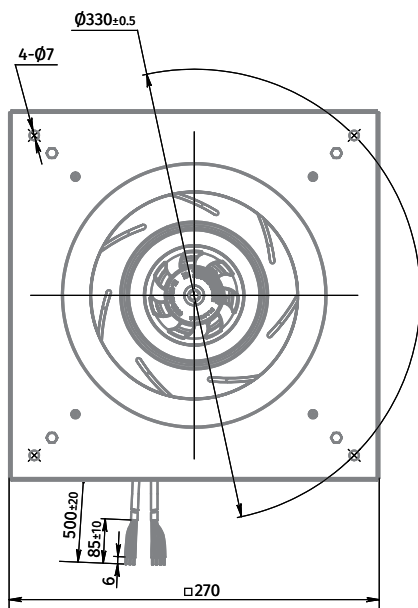


Centrifugal Fan with Plug Fan Casing	Weight [kg]
GL-B220C-EC-00	2
GL-B220C-EC-01	2.55

BL-B220C-EC-00



GL-B220C-EC-00



Ø 133

Ø 175

Ø 190

Ø 220

Ø 225

Ø 250

Ø 190

Ø 220

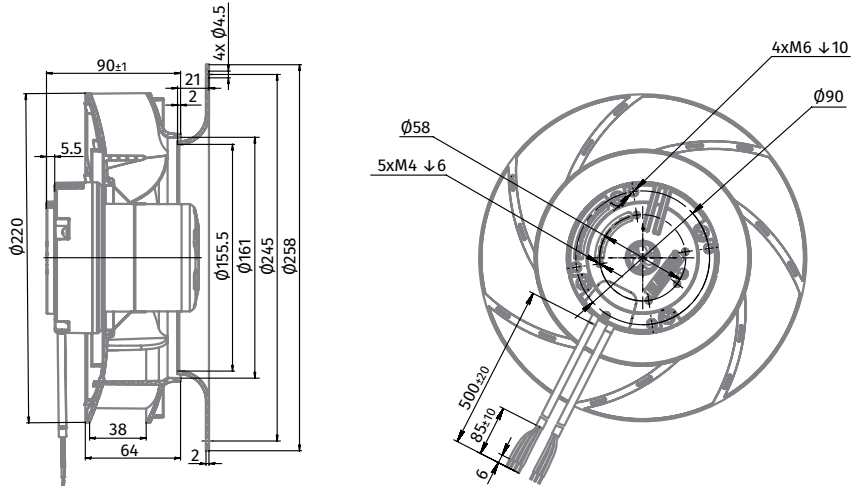
Ø 225

Ø 250

Ø 220 mm, BACKWARD CURVED

EC CENTRIFUGAL FAN

BL-B220C-EC-01



GL-B220C-EC-01

