

Ø 220 mm, BACKWARD CURVED

AC CENTRIFUGAL FAN



Features

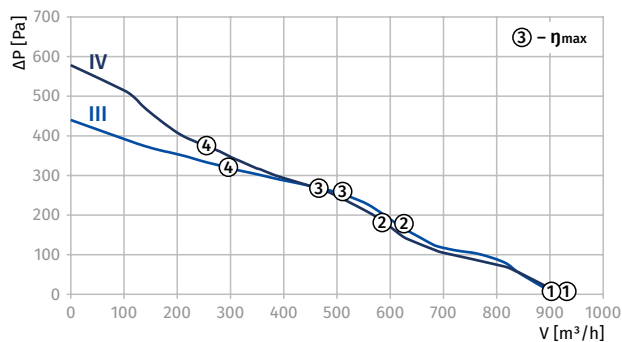
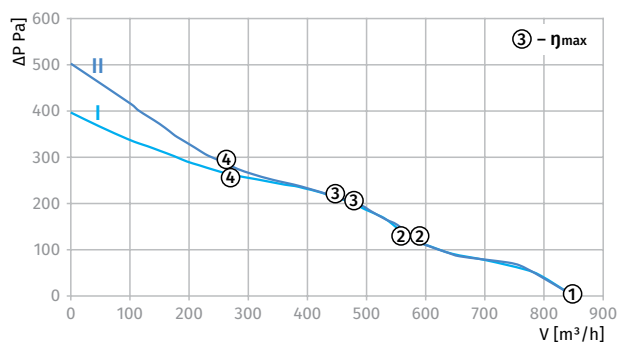
- **Materials:** Impeller – PA6+GF30
Inlet ring – PA6+GF30
Housing – sheet steel, painted grey
- **Direction of rotation:** clockwise, seen on rotor
- **Type of protection:** IP44
- **Insulation class:** B
- **Mode of operation:** continuous operation (S1)
- **Bearing:** ball bearings
- **Motor protection:** self-resetting TOP wired internally



Technical data

Model	Perform. curve	Nominal voltage [VAC]	Frequency [Hz]	Speed [RPM]	Power input max [W]	Current max [A]	Sound pres. level [dB(A)]	Perm. amb. temp. [°C]	Capacitor / Capacitor voltage [µF] / [VDB]	Electrical connection	Inlet ring
*L-B220B-2E-A01-01	I	230	50	2110	94	0.42	69	-25 ... +50	2/450	Type "A"/p. 39	p.38
	II	230	60	2110	108	0.47	70	-25 ... +50	2/450	Type "A"/p. 39	p.38
*L-B220B-2E-B01-01	III	230	50	2360	106	0.47	70	-25 ... +50	2/450	Type "A"/p. 39	p.38
	IV	230	60	2352	130	0.57	71	-25 ... +50	2/450	Type "A"/p. 39	p.38

PERFORMANCE CURVES

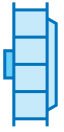


Curve	Point	n [RPM]	Pi [W]	I [A]
I	1	2250	90	0.40
	2	2000	94	0.42
	3	2110	93	0.41
	4	2210	90	0.40
II	1	2300	104	0.44
	2	2040	108	0.47
	3	2110	106	0.47
	4	2290	102	0.45
III	1	2510	98	0.43
	2	2270	106	0.47
	3	2360	102	0.46
	4	2410	95	0.43
IV	1	2505	123	0.53
	2	2280	129	0.57
	3	2352	126	0.56
	4	2616	116	0.51

Ø 220 MM, BACKWARD CURVED

AC CENTRIFUGAL FAN

Overall Dimensions

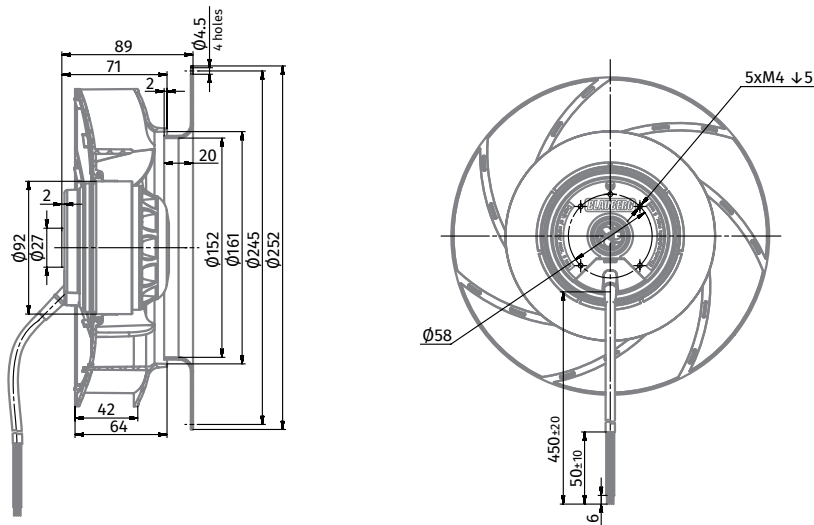


Centrifugal Fan	Weight [kg]
BL-B220B-2E-A01-01	1.28
BL-B220B-2E-B01-01	1.28

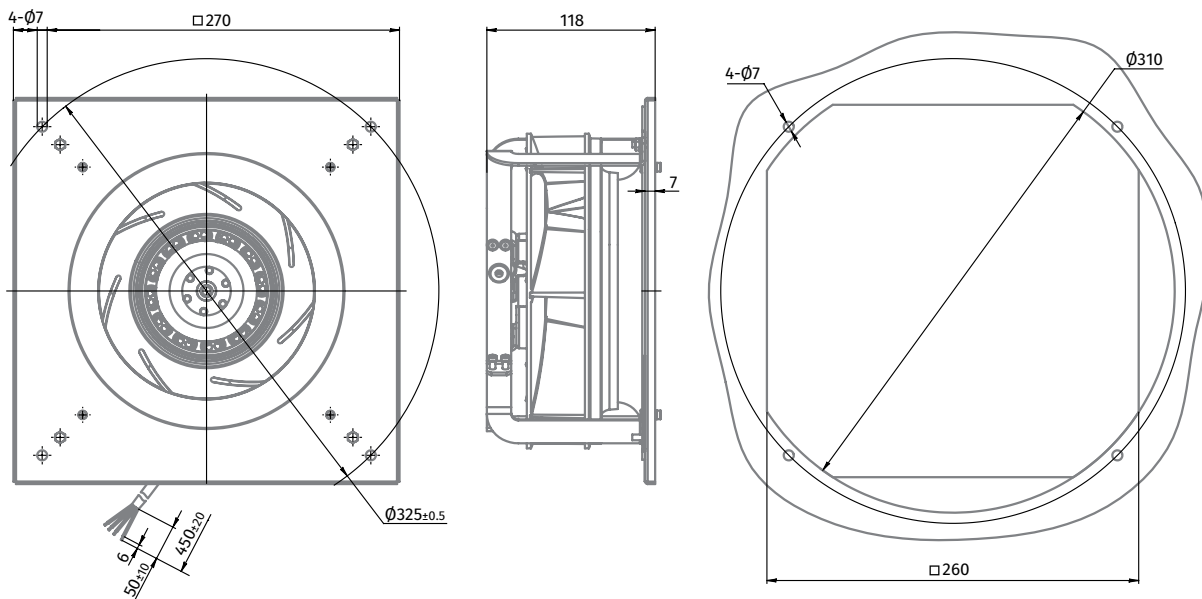


Centrifugal Fan with Plug Fan Casing	Weight [kg]
GL-B220B-2E-A01-01	2.13
GL-B220B-2E-B01-01	2.13

BL-B220B-2E-A01-01, BL-B220B-2E-B01-01



GL-B220B-2E-A01-01, GL-B220B-2E-B01-01



Ø 133

Ø 175

Ø 190

Ø 220

Ø 225

Ø 250

Ø 190

Ø 220

Ø 225

Ø 250