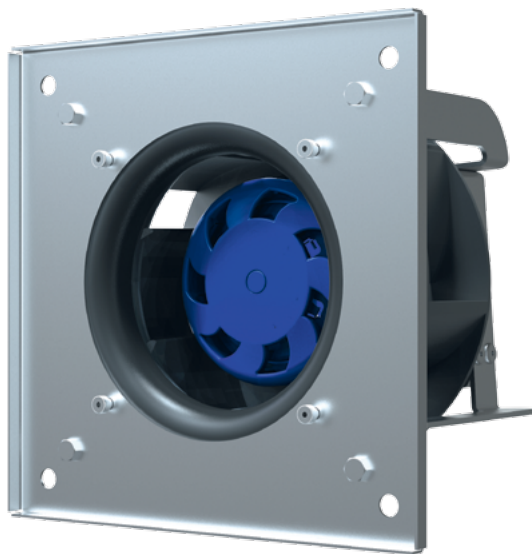


Ø 133 mm, BACKWARD CURVED

EC CENTRIFUGAL FAN



**Features**

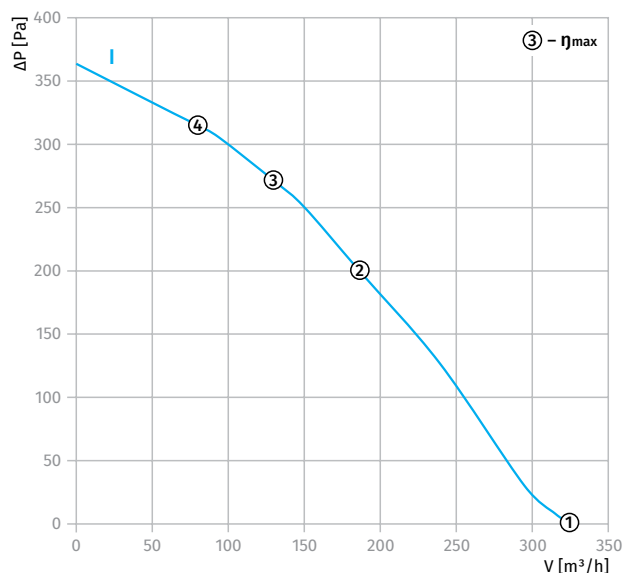
- **Materials:** Impeller – PA6+GF30  
Inlet ring – sheet steel  
Housing – sheet steel, painted grey
- **Direction of rotation:** clockwise, seen on rotor
- **Type of protection:** IP55
- **Insulation class:** B
- **Mode of operation:** S1
- **Bearing:** ball bearings
- **Motor protection:** self-resetting TOP wired internally



**Technical data**

Model	Perform. curve	Nominal voltage [VAC]	Frequency [Hz]	Speed [RPM]	Power input max [W]	Current max [A]	Sound pres. level [dB(A)]	Perm. amb. temp. [°C]	Electrical connection	Inlet ring
*L-B133A-EC-00	I	230	50/60	4240	42	0.36	71	-25 ... +60	Type "E"/p. 39	p.38

**PERFORMANCE CURVES**



Curve	Point	n [RPM]	Pi [W]	I [A]
I	1	4200	39	0.33
	2	4150	42	0.35
	3	4240	40	0.34
	4	4200	34	0.3

# Ø 133 MM, BACKWARD CURVED

# EC CENTRIFUGAL FAN

## Overall Dimensions

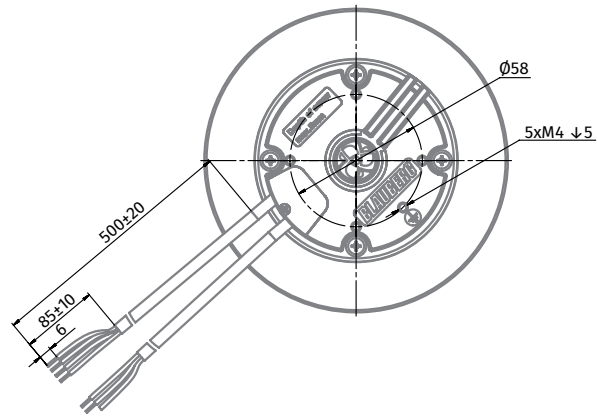
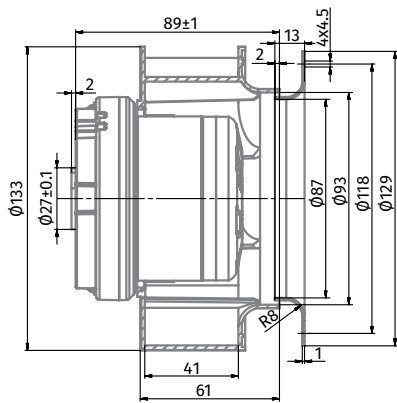


Centrifugal Fan	Weight [kg]
BL-B133A-EC-00	1



Centrifugal Fan with Plug Fan Casing	Weight [kg]
GL-B133A-EC-00	1.4

### BL-B133A-EC-00



### GL-B133A-EC-00

