

Ø 160 mm, SINGLE INLET

AC BLOWER



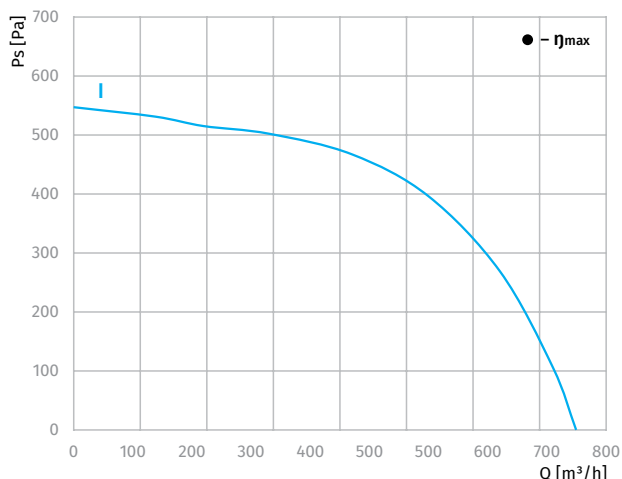
Features

- **Materials Impeller:** galvanized steel
- **Materials Housing:** sheet steel
- **Direction of rotation:** clockwise, seen on rotor
- **Type of protection:** IP44
- **Insulation class:** B
- **Mode of operation:** continuous operation (S1)
- **Bearing:** ball bearings
- **Motor protection:** self-resetting TOP wired internally

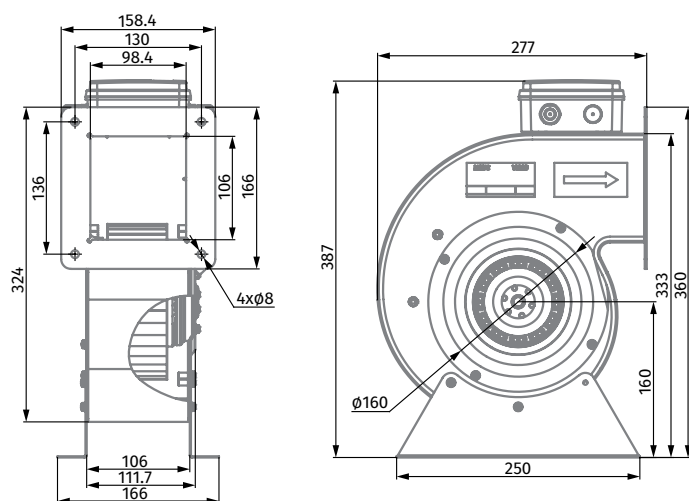


Technical data

Model	Perform. curve	Nominal voltage [VAC]	Frequency [Hz]	Speed [RPM]	Power input max [W]	Current max [A]	Sound pres. level [dB(A)]	Perm. amb. temp. [°C]	Capacitor [µF/VDB]	Electrical connection
Helix 160x62 2E	I	230	50	2630	320	1.48	70	-25 ... +50	-	A



Overall Dimensions



Accessories

Model	Rubber vibration absorbing dampers	Spring-loaded vibration absorbing dampers	Flange	Grille
Helix 160x62 2E	SI-G 8	SI-F 8	FRZ-H 160	SG-H 160