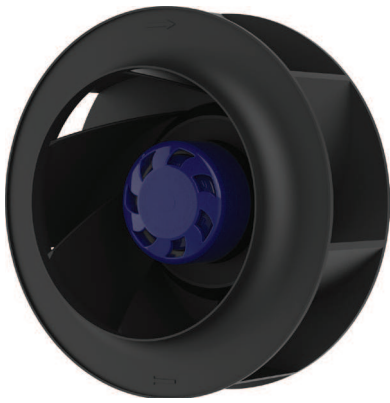


Ø 225 mm, BACKWARD CURVED

EC CENTRIFUGAL FAN



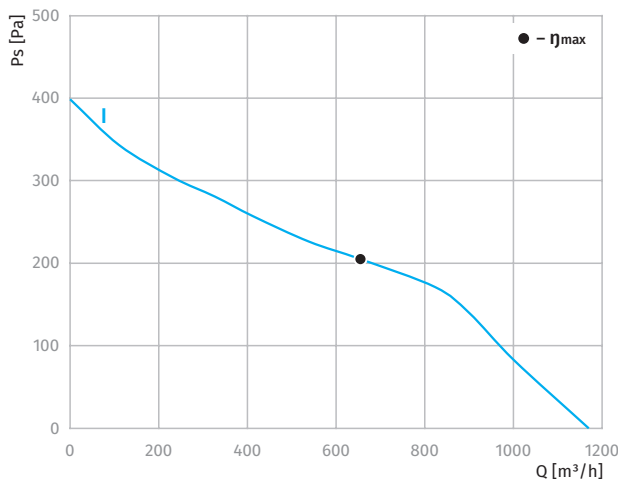
Features

- Speed control: 0 ~ 10 V DC/PWM
- Impeller material: PA plastic + 30 % glass fiber
- Direction of rotation: clockwise, seen on rotor
- Type of protection: IP55
- Insulation class: B
- Mode of operation: continuous operation (S1)
- Bearing: ball bearings
- Motor protection: self-resetting TOP wired internally

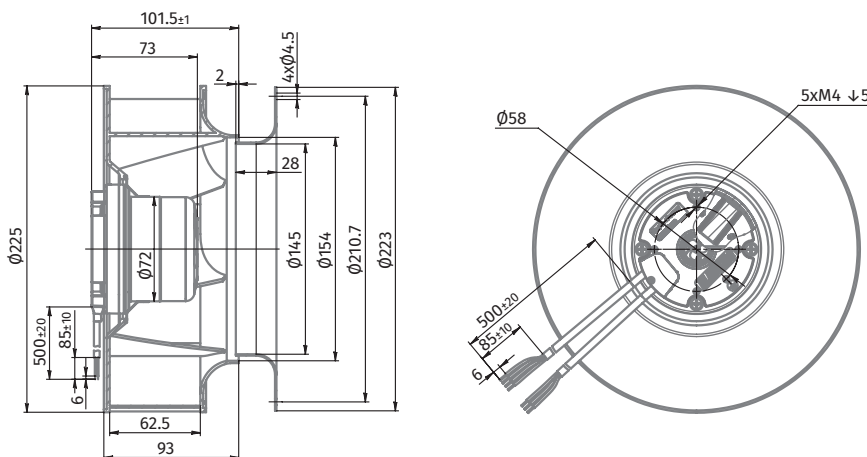


Technical data

Model	Perform. curve	Nominal voltage [VAC]	Frequency [Hz]	Speed [RPM]	Power input max [W]	Current max [A]	Sound pres. level [dBA]	Perm. amb. temp. [°C]	Capacitor [µF/VDB]	Electrical connection
BL-B225D-EC-00	I	230	50/60	2100	85	0.70	62	-25 ... +60	-	E

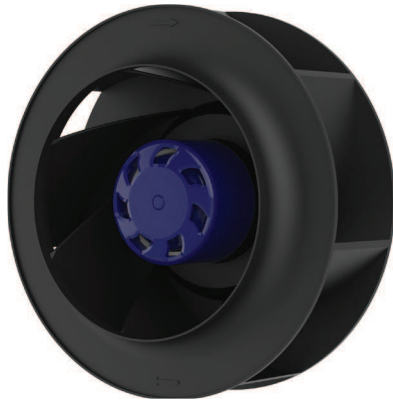


Overall dimensions



# Ø 225 MM, BACKWARD CURVED

# EC CENTRIFUGAL FAN



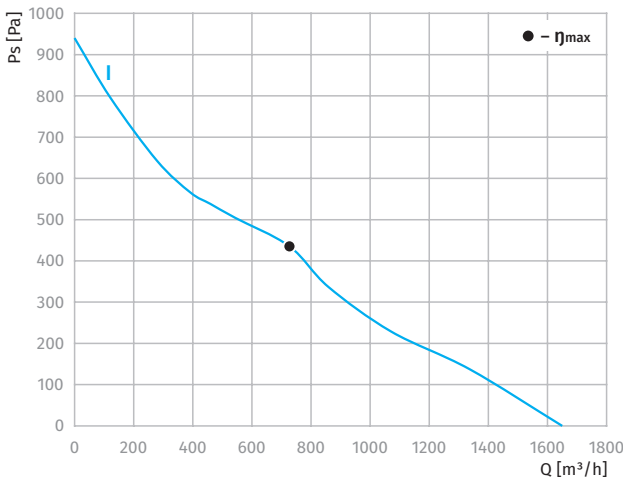
### Features

- Speed control: 0 ~ 10 V DC/PWM
- Impeller material: PA plastic + 30 % glass fiber
- Direction of rotation: clockwise, seen on rotor
- Type of protection: IP55
- Insulation class: B
- Mode of operation: continuous operation (S1)
- Bearing: ball bearings
- Motor protection: self-resetting TOP wired internally

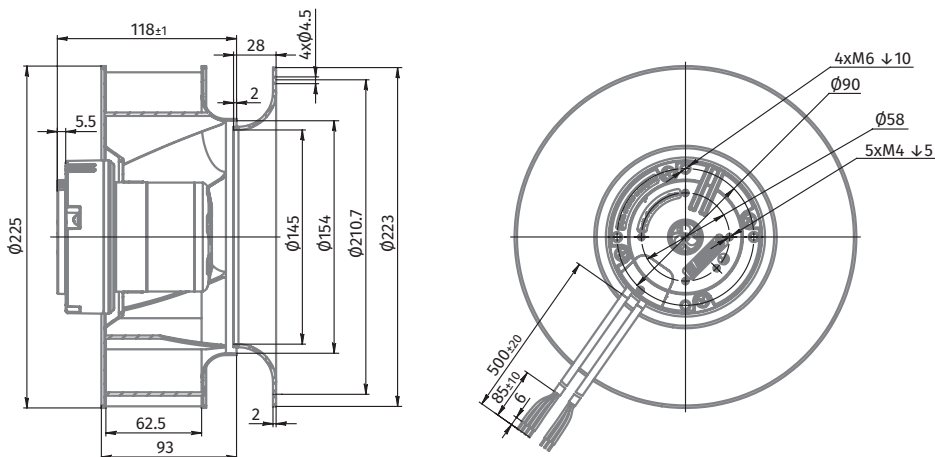


### Technical data

Model	Perform. curve	Nominal voltage [VAC]	Frequency [Hz]	Speed [RPM]	Power input max [W]	Current max [A]	Sound pres. level [dBA]	Perm. amb. temp. [°C]	Capacitor [µF/VDB]	Electrical connection
BL-B225D-EC-01	I	230	50/60	2920	165	1.10	72	-25 ... +60	-	E



### Overall dimensions



BACKWARD CURVED  
AC CENTRIFUGAL FANS

BACKWARD CURVED  
EC CENTRIFUGAL FANS

FORWARD CURVED  
AC CENTRIFUGAL FANS

FORWARD CURVED  
EC CENTRIFUGAL FANS

FORWARD CURVED  
AC BLOWERS

FORWARD CURVED  
EC BLOWERS

BACKWARD CURVED  
EC BLOWERS