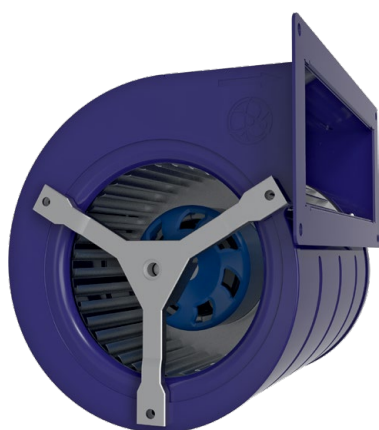


Ø 133 MM, DUAL INLET (FORWARD CURVED)

EC BLOWER



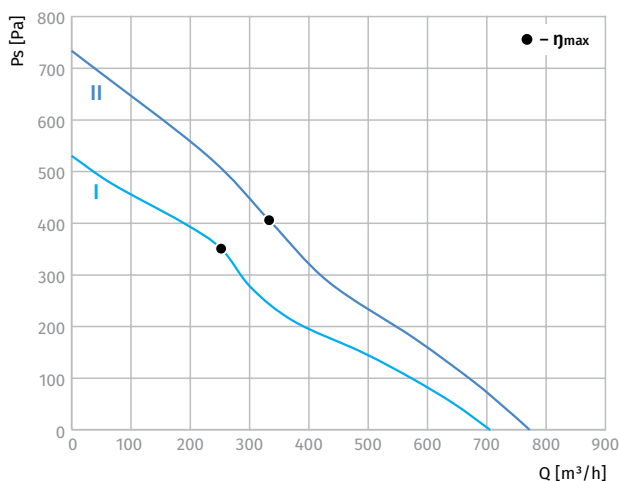
Features

- Impeller material: galvanized steel
- Casing material: sheet steel
- Direction of rotation: clockwise, seen on rotor
- Type of protection: IP55
- Insulation class: B
- Mode of operation: continuous operation (S1)
- Bearing: ball bearings
- Motor protection: self-resetting TOP wired internally



Technical data

Model	Perform. curve	Nominal voltage [VAC]	Frequency [Hz]	Speed [RPM]	Power input max [W]	Current max [A]	Sound pres. level [dBA]	Perm. amb. temp. [°C]	Capacitor [µF/VDB]	Electrical connection
DL-F133B-EC-00	I	230	50/60	2740	76	0.55	67	-25 ... +60	-	E
DL-F133B-EC-01	II	230	50/60	2950	120	0.85	72	-25 ... +60	-	E



Overall dimensions

