

# Ø 250 MM, BACKWARD CURVED

# EC CENTRIFUGAL FAN



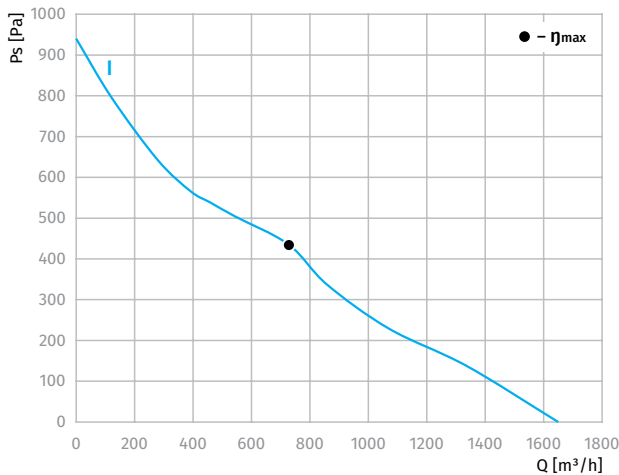
### Features

- **Speed Control:** 0 ~ 10V DC/PWM
- **Impeller material:** PA plastic + 30% glass fiber
- **Direction of rotation:** clockwise, seen on rotor
- **Type of protection:** IP55
- **Insulation class:** B
- **Mode of operation:** continuous operation (S1)
- **Bearing:** ball bearings
- **Motor protection:** self-resetting TOP wired internally

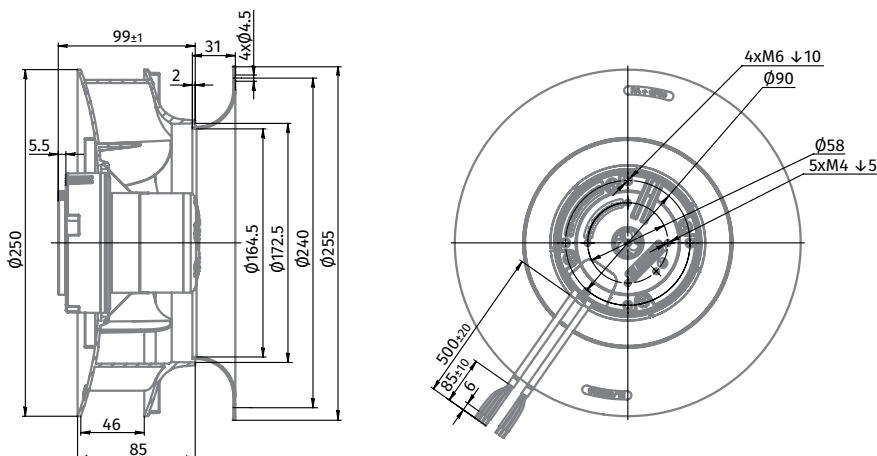


### Technical data

Model	Perform. curve	Nominal voltage [VAC]	Frequency [Hz]	Speed [RPM]	Power input max [W]	Current max [A]	Sound pres. level [dB(A)]	Perm. amb. temp. [°C]	Capacitor [µF/VDB]	Electrical connection
BL-B250B-EC-01	I	230	50/60	2570	169	1.27	73	-25 ... +60	-	E



### Overall Dimensions



AC AXIAL FANS

BACKWARD CURVED EC CENTRIFUGAL FANS

BACKWARD CURVED EC CENTRIFUGAL FANS

FORWARD CURVED AC CENTRIFUGAL FANS

FORWARD CURVED EC CENTRIFUGAL FANS

AC BLOWERS

EC BLOWERS

AC MOTORS