

Ø 225 mm, BACKWARD CURVED

EC CENTRIFUGAL FAN



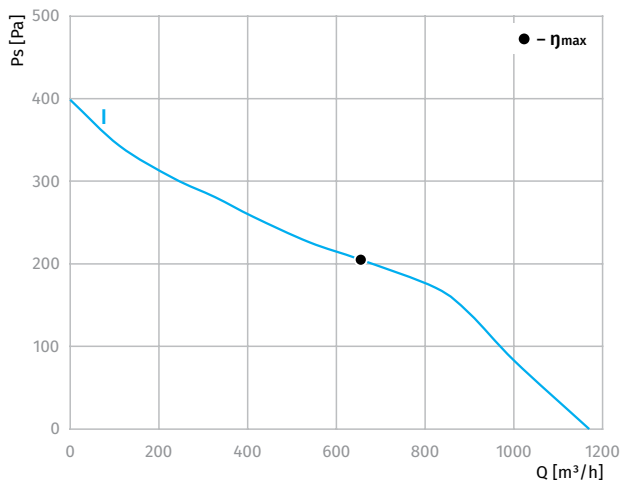
Features

- **Speed Control:** 0 ~ 10V DC/PWM
- **Impeller material:** PA plastic + 30% glass fiber
- **Direction of rotation:** clockwise, seen on rotor
- **Type of protection:** IP55
- **Insulation class:** B
- **Mode of operation:** continuous operation (S1)
- **Bearing:** ball bearings
- **Motor protection:** self-resetting TOP wired internally

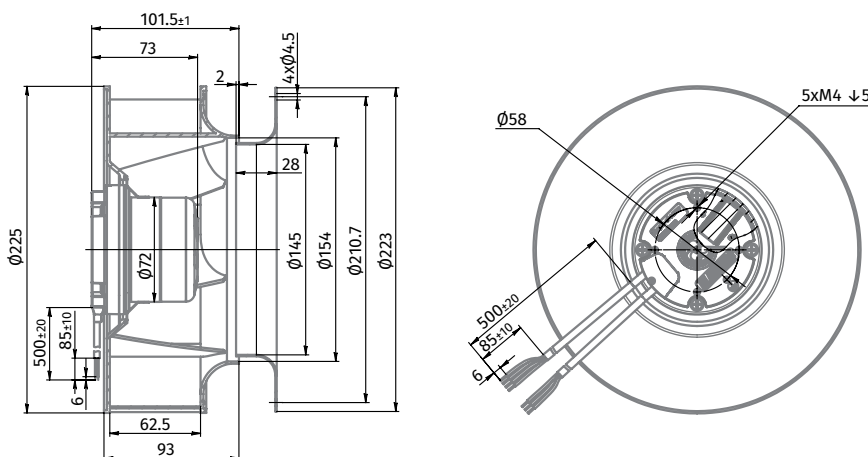


Technical data

Model	Perform. curve	Nominal voltage [VAC]	Frequency [Hz]	Speed [RPM]	Power input max [W]	Current max [A]	Sound pres. level [dB(A)]	Perm. amb. temp. [°C]	Capacitor [µF/VDB]	Electrical connection
BL-B225D-EC-00	I	230	50/60	2140	85	0.68	62	-25 ... +60	-	E



Overall Dimensions



Ø 225 MM, BACKWARD CURVED

EC CENTRIFUGAL FAN



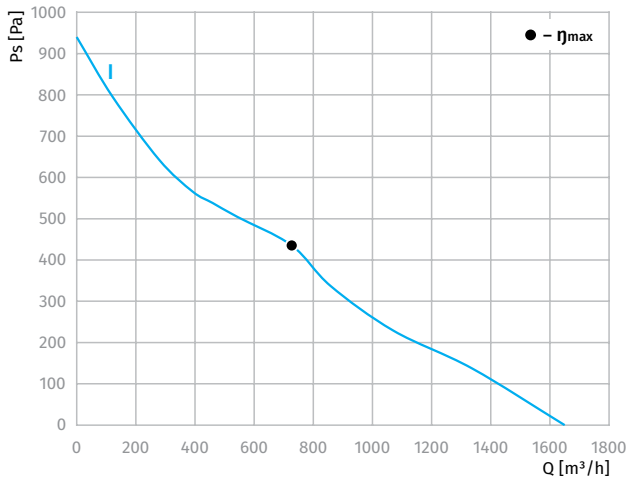
Features

- **Speed Control:** 0 ~ 10V DC/PWM
- **Impeller material:** PA plastic + 30% glass fiber
- **Direction of rotation:** clockwise, seen on rotor
- **Type of protection:** IP55
- **Insulation class:** B
- **Mode of operation:** continuous operation (S1)
- **Bearing:** ball bearings
- **Motor protection:** self-resetting TOP wired internally

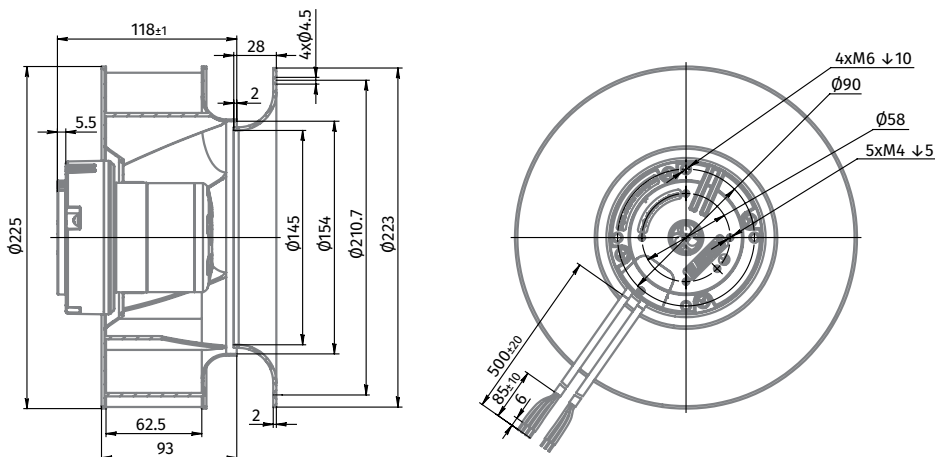


Technical data

Model	Perform. curve	Nominal voltage [VAC]	Frequency [Hz]	Speed [RPM]	Power input max [W]	Current max [A]	Sound pres. level [dB(A)]	Perm. amb. temp. [°C]	Capacitor [µF/VDB]	Electrical connection
BL-B225D-EC-01	I	230	50/60	2950	168	1.26	72	-25 ... +60	-	E



Overall Dimensions



AC AXIAL FANS

BACKWARD CURVED
EC CENTRIFUGAL FANS

BACKWARD CURVED
EC CENTRIFUGAL FANS

FORWARD CURVED
AC CENTRIFUGAL FANS

FORWARD CURVED
EC CENTRIFUGAL FANS

AC BLOWERS

EC BLOWERS

AC MOTORS