

AC axial fan (welded \varnothing 200 mm, 5 blades)



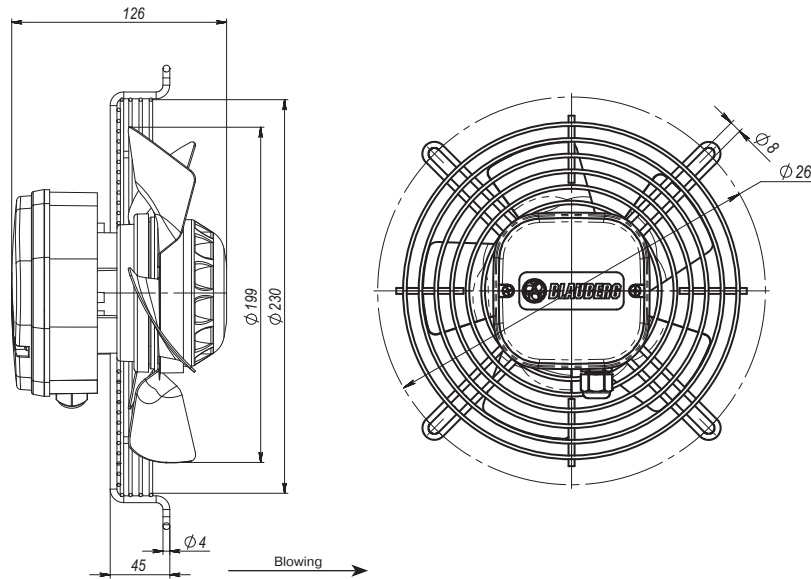
- Impeller material: steel powder coated, welded
- Direction of rotation: counterclockwise, seen on rotor
- Type of protection: IP54
- Insulation class: B
- Mode of operation: continuous operation (S1)
- Bearing: ball bearings
- Motor protection: self-resetting TOP wired internally



Technical data

Type	Nominal voltage [VAC]	Frequency [Hz]	Speed [RPM]	Power input [W]	Current [A]	Sound pressure level [dB(A)]	Perm. amb. temperature [°C]	Capacitor [μ F/VDB]	Electrical connection
BL-A200B-2E-A01-B2	230	50	2650	53	0.25	56	-25...+40	1.5/450	A
		60	2940	63	0.27	60			
BL-A200B-4E-A01-B2	230	50	1400	35	0.21	43	-25...+40	1.5/450	A
		60	1500	46	0.23	45			

Overall dimensions



Performance curves

