

Ø 190 MM, BACKWARD CURVED

AC CENTRIFUGAL FAN



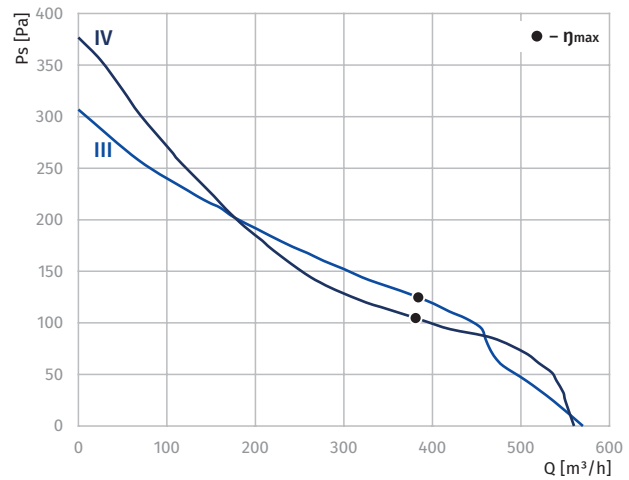
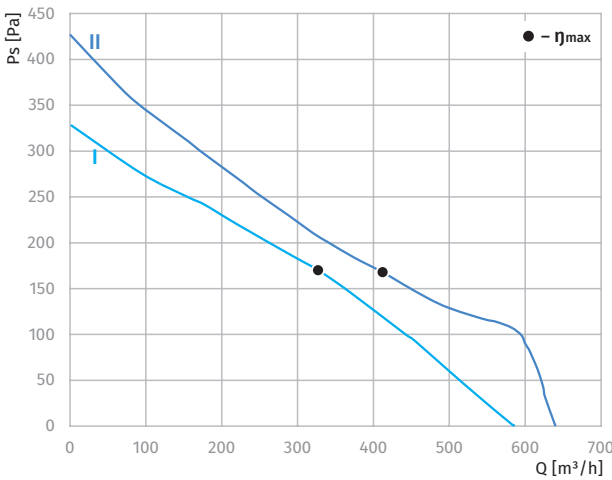
Features

- **Impeller material:** PA plastic + 30 % glass fiber
- **Direction of rotation:** clockwise, seen on rotor
- **Type of protection:** IP44
- **Insulation class:** B
- **Mode of operation:** continuous operation (S1)
- **Bearing:** ball bearings
- **Motor protection:** self-resetting TOP wired internally

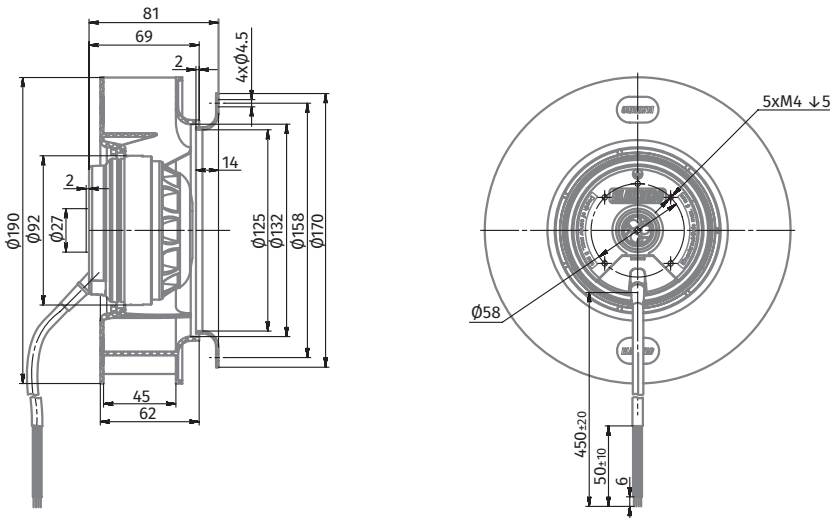


Technical data

Model	Perform. curve	Nominal voltage [VAC]	Frequency [Hz]	Speed [RPM]	Power input max [W]	Current max [A]	Sound pres. level [dBA]	Perm. amb. temp. [°C]	Capacitor [µF/VDB]	Electrical connection
BL-B190A-2E-A01-01	I	230	50	2700	61	0.30	62	-25 ... +50	1.5/450	A
	II	230	60	3000	80	0.40	64	-25 ... +50	1.5/450	A
BL-B190A-2E-A02-01	III	230	50	2600	63	0.30	58	-25 ... +50	1.0/450	A
	IV	230	60	3000	74	0.33	60	-25 ... +50	1.0/450	A



Overall dimensions



BACKWARD CURVED
AC CENTRIFUGAL FANS

BACKWARD CURVED
EC CENTRIFUGAL FANS

FORWARD CURVED
AC CENTRIFUGAL FANS

FORWARD CURVED
EC CENTRIFUGAL FANS

FORWARD CURVED
AC BLOWERS

FORWARD CURVED
EC BLOWERS

BACKWARD CURVED
EC BLOWERS