

Ø 160 MM, SINGLE INLET (FORWARD CURVED)

AC BLOWER



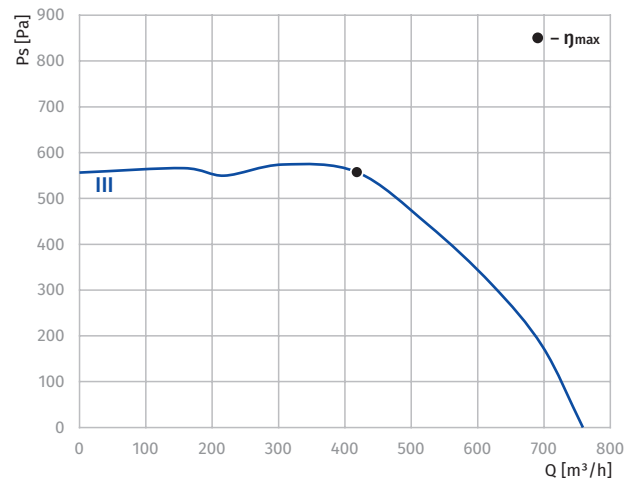
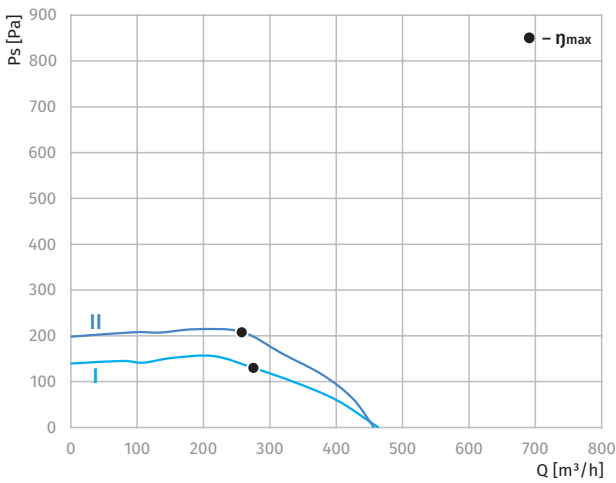
Features

- Impeller material: galvanized steel
- Casing material: die-cast aluminium
- Direction of rotation: clockwise, seen on rotor
- Type of protection: IP44
- Insulation class: B, F
- Mode of operation: continuous operation (S1)
- Bearing: ball bearings
- Motor protection: self-resetting TOP wired internally

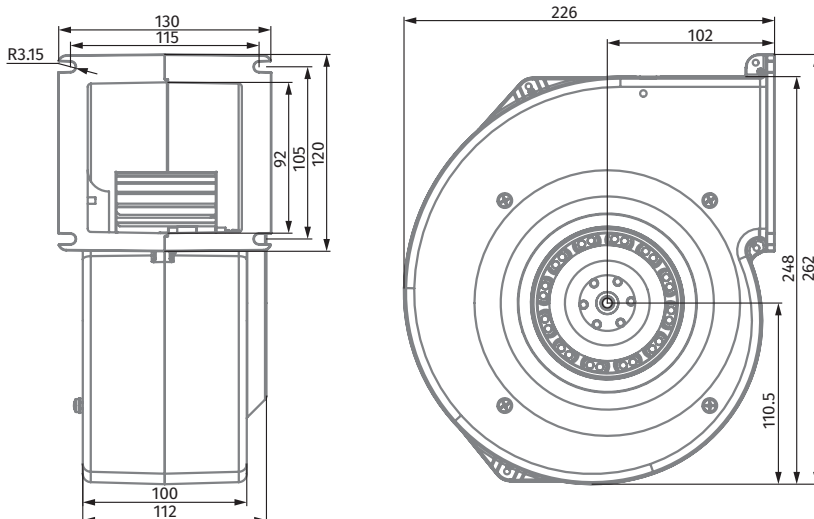


Technical data

Model	Perform. curve	Nominal voltage [VAC]	Frequency [Hz]	Speed [RPM]	Power input max [W]	Current max [A]	Sound pres. level [dBA]	Perm. amb. temp. [°C]	Capacitor [µF/VDB]	Electrical connection
SL-F160A-4E-B01-11	I	230	50	1340	73	0.33	66	-25 ... +50	1.5/450	A
	II	230	60	1600	85	0.37	68	-25 ... +50	1.5/450	A
SL-F160A-2E-D01-11	III	230	50	2660	353	1.55	71	-25 ... +50	6.0/450	A



Overall dimensions



BACKWARD CURVED AC CENTRIFUGAL FANS

BACKWARD CURVED EC CENTRIFUGAL FANS

FORWARD CURVED AC CENTRIFUGAL FANS

FORWARD CURVED EC CENTRIFUGAL FANS

FORWARD CURVED AC BLOWERS

FORWARD CURVED EC BLOWERS

BACKWARD CURVED EC BLOWERS