

Ø 160 MM, SINGLE INLET (FORWARD CURVED)

AC BLOWER



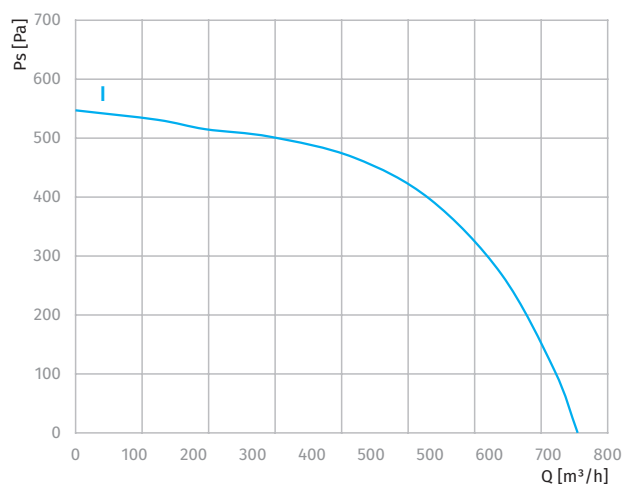
Features

- Impeller material: galvanized steel
- Casing material: sheet steel
- Direction of rotation: clockwise, seen on rotor
- Type of protection: IP44
- Insulation class: F
- Mode of operation: continuous operation (S1)
- Bearing: ball bearings
- Motor protection: self-resetting TOP wired internally

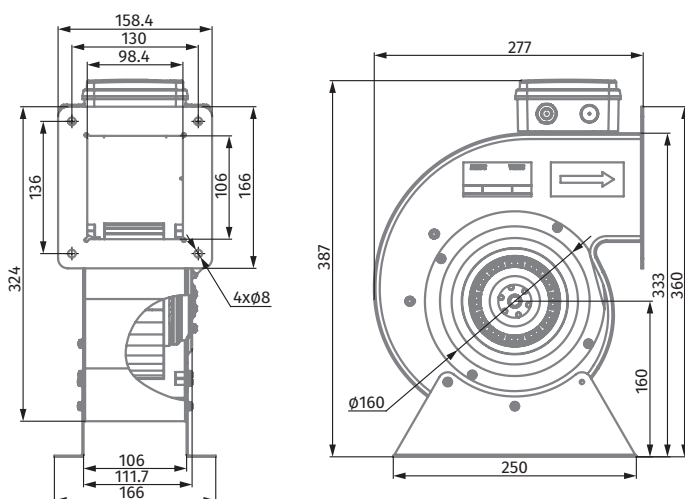


Technical data

Model	Perform. curve	Nominal voltage [VAC]	Frequency [Hz]	Speed [RPM]	Power input max [W]	Current max [A]	Sound pres. level [dBA]	Perm. amb. temp. [°C]	Capacitor [µF/VDB]	Electrical connection
Helix 160x62 2E	I	230	50	2630	320	1.48	70	-25 ... +50	-	A



Overall dimensions



Accessories

Model	Rubber vibration absorbing dampers	Spring-loaded vibration absorbing dampers	Flange	Grille
Helix 160x62 2E	SI-G 8	SI-F 8	FRZ-H 160	SG-H 160