

Ø 300 MM, STAMPED

AC AXIAL FAN



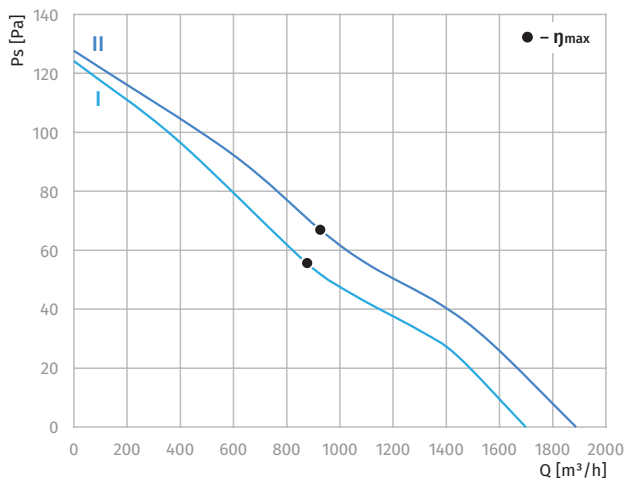
**Features**

- **Impeller material:** alkyd coated steel, stamped
- **Direction of rotation:** clockwise for blowing "B" and counter-clockwise for sucking "S", seen on rotor
- **Type of protection:** IP44
- **Insulation class:** B
- **Mode of operation:** continuous operation (S1)
- **Bearing:** ball bearings
- **Motor protection:** self-resetting TOP wired internally



**Technical data**

Model	Perform. curve	Nominal voltage [VAC]	Frequency [Hz]	Speed [RPM]	Power input max [W]	Current max [A]	Sound pres. level [dB(A)]	Perm. amb. temp. [°C]	Capacitor [µF/VDB]	Electrical connection
BL-A300A-4E-C01-B* BL-A300A-4E-C01-S*	I	230	50	1290	93	0.41	59	-25 ... +50	3.0/450	A
Axis-Q 300 4E Axis-F 300 4E	II	230	60	1380	116	0.50	63	-25 ... +50	3.0/450	A



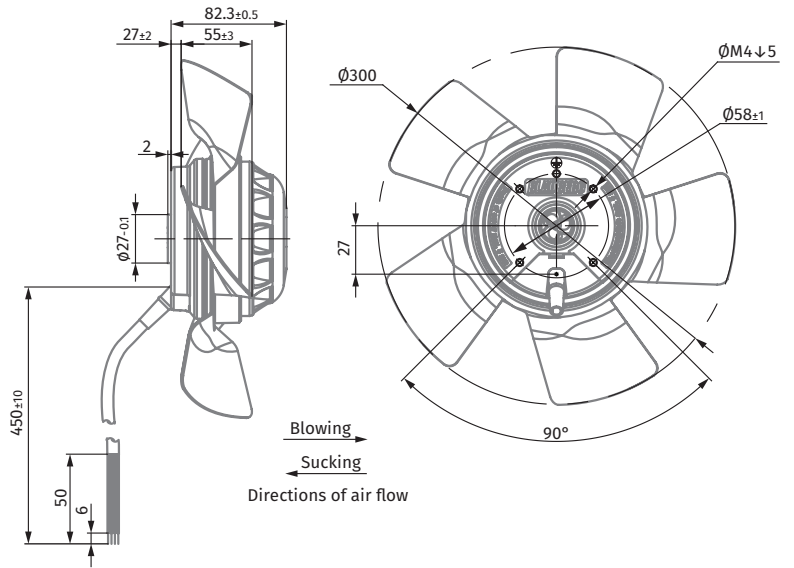
# Ø 300 MM, STAMPED

# AC AXIAL FAN

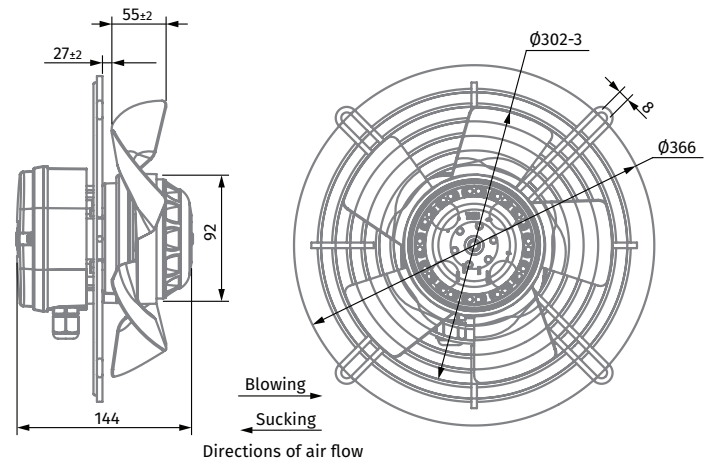
## Overall Dimensions



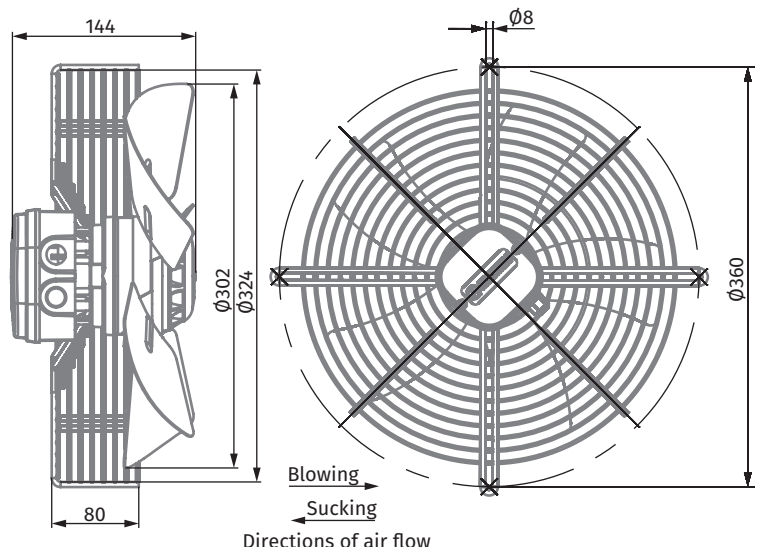
Axial Fan *no grid	Weight [kg]
BL-A300A-4E-C01-B0	2.4
BL-A300A-4E-C01-S0	2.4



Axial Fan *with low grid	Weight [kg]
BL-A300A-4E-C01-B1	2.8
BL-A300A-4E-C01-S1	2.8



Axial Fan *with high grid	Weight [kg]
BL-A300A-4E-C01-B3	3.2
BL-A300A-4E-C01-S3	3.2

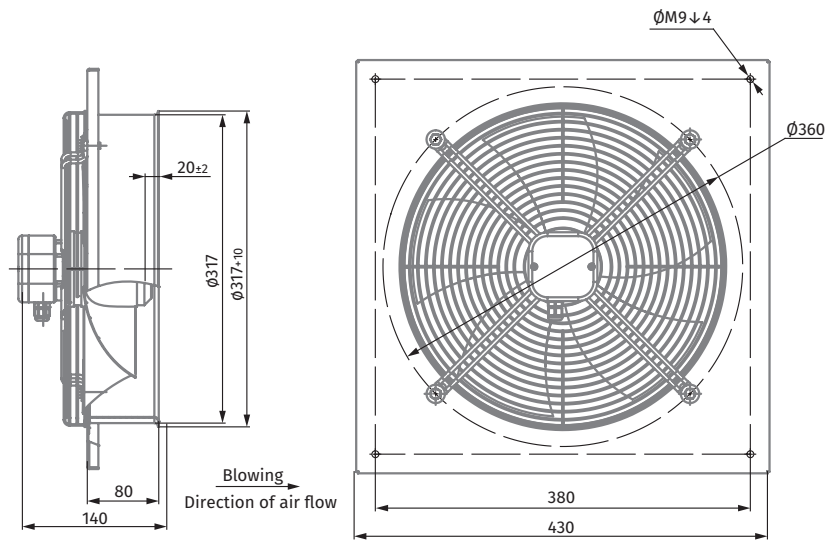


Ø 300 MM, STAMPED

AC AXIAL FAN



Axial Fan *with mounting plate and low grid	Weight [kg]
Axis-Q 300 4E	5.0



Axial Fan *in metal casing	Weight [kg]
Axis-F 300 4E	6.2

