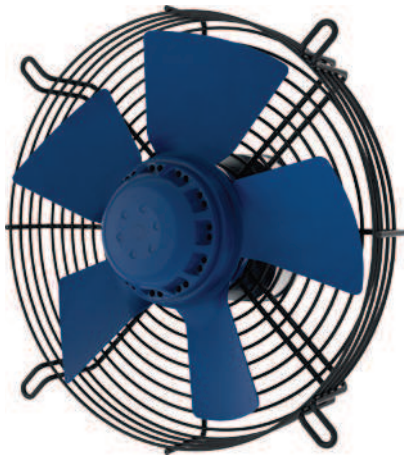


Ø 250 MM, STAMPED

AC AXIAL FAN



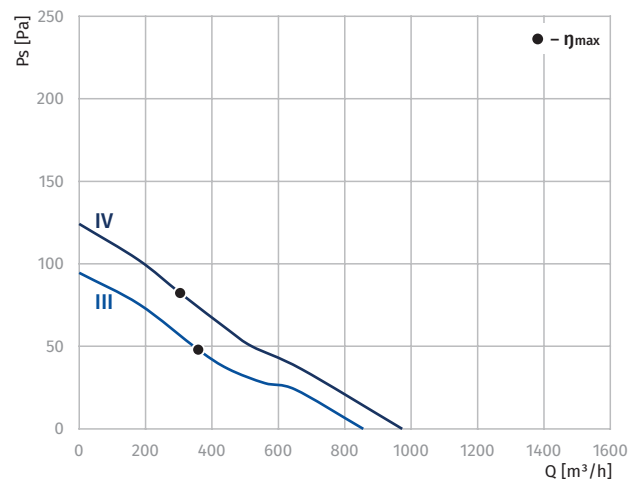
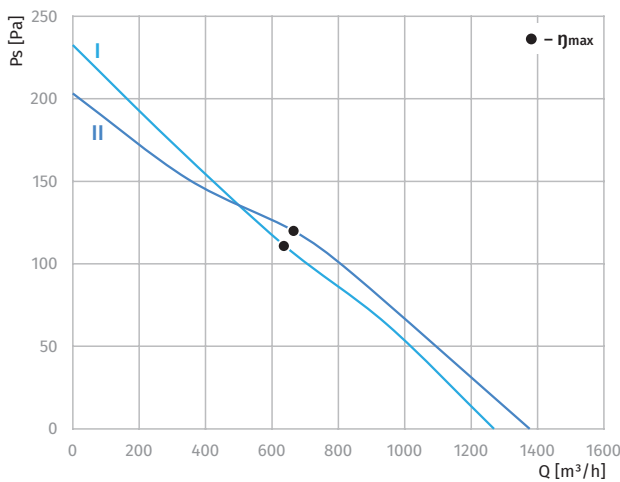
Features

- **Impeller material:** alkyd coated steel, stamped
- **Direction of rotation:** clockwise for blowing "B" and counter-clockwise for sucking "S", seen on rotor
- **Type of protection:** IP44
- **Insulation class:** B
- **Mode of operation:** continuous operation (S1)
- **Bearing:** ball bearings
- **Motor protection:** self-resetting TOP wired internally



Technical data

Model	Perform. curve	Nominal voltage [VAC]	Frequency [Hz]	Speed [RPM]	Power input max [W]	Current max [A]	Sound pres. level [dB(A)]	Perm. amb. temp. [°C]	Capacitor [µF/VDB]	Electrical connection
BL-A250A-2E-B01-B* BL-A250A-2E-B01-S*	I	230	50	2480	117	0.52	60	-25 ... +50	2.0/450	A
Axis-Q 250 2E Axis-F 250 2E	II	230	60	2560	140	0.61	62	-25 ... +50	2.0/450	A
BL-A250A-4E-B01-B* BL-A250A-4E-B01-S*	III	230	50	1380	53	0.23	54	-25 ... +50	2.0/450	A
Axis-F 250 4E Axis-Q 250 4E	IV	230	60	1550	67	0.30	58	-25 ... +50	2.0/450	A



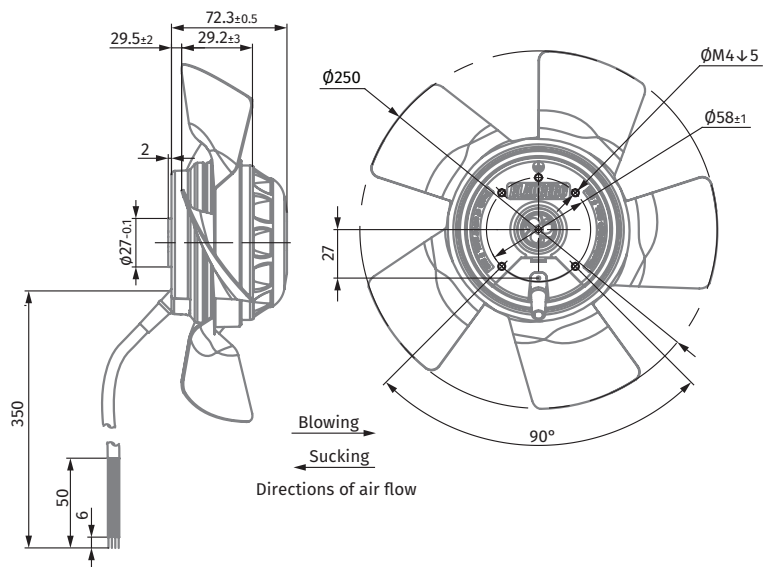
Ø 250 MM, STAMPED

AC AXIAL FAN

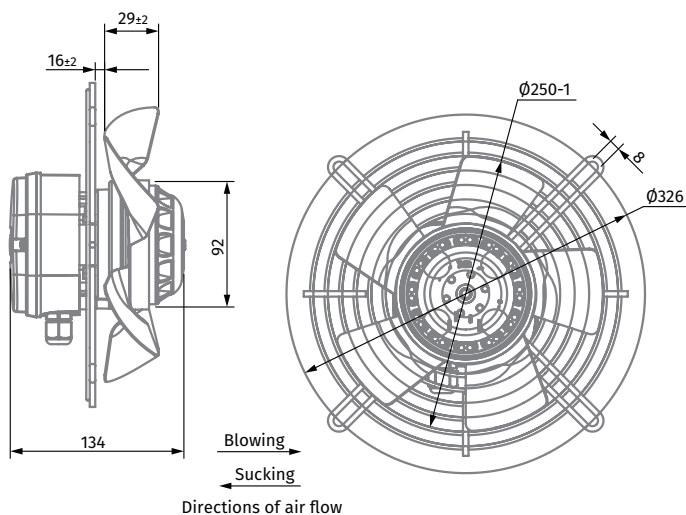
Overall Dimensions



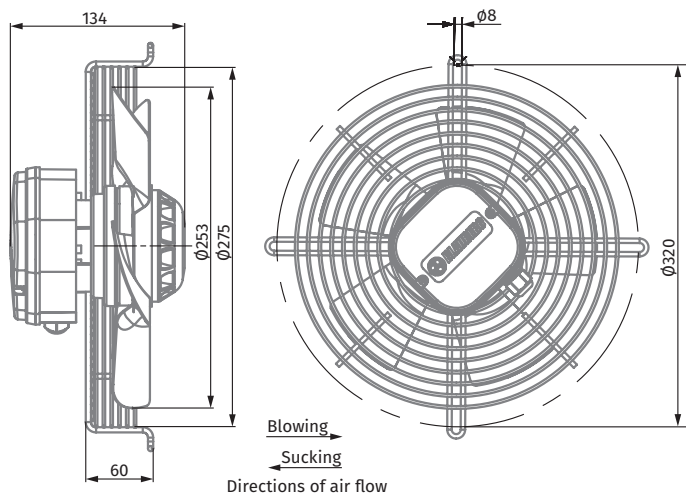
Axial Fan *no grid	Weight [kg]
BL-A250A-2E-B01-B0	2.4
BL-A250A-2E-B01-S0	2.4
BL-A250A-4E-B01-B0	1.9
BL-A250A-4E-B01-S0	1.9



Axial Fan *with low grid	Weight [kg]
BL-A250A-2E-B01-B1	2.7
BL-A250A-2E-B01-S1	2.7
BL-A250A-4E-B01-B1	2.2
BL-A250A-4E-B01-S1	2.2



Axial Fan *with high grid	Weight [kg]
BL-A250A-2E-B01-B3	3.0
BL-A250A-2E-B01-S3	3.0
BL-A250A-4E-B01-B3	2.5
BL-A250A-4E-B01-S3	2.5

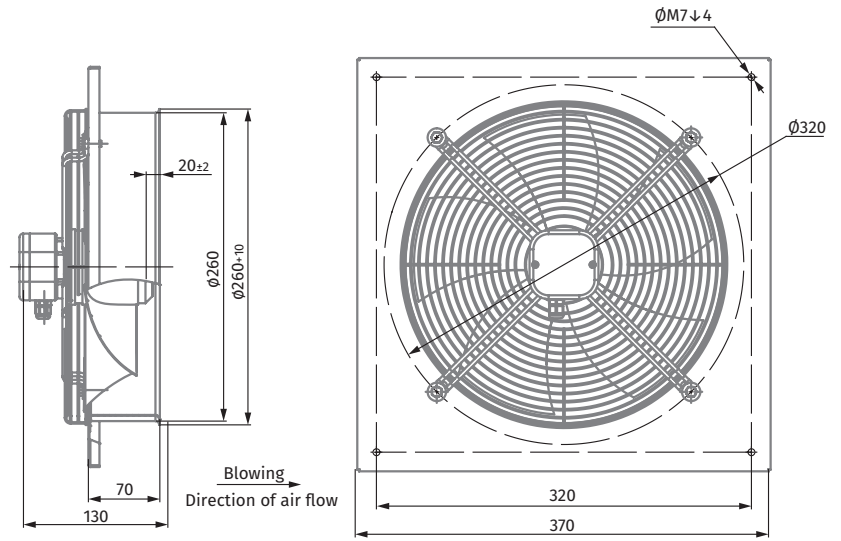


Ø 250 MM, STAMPED

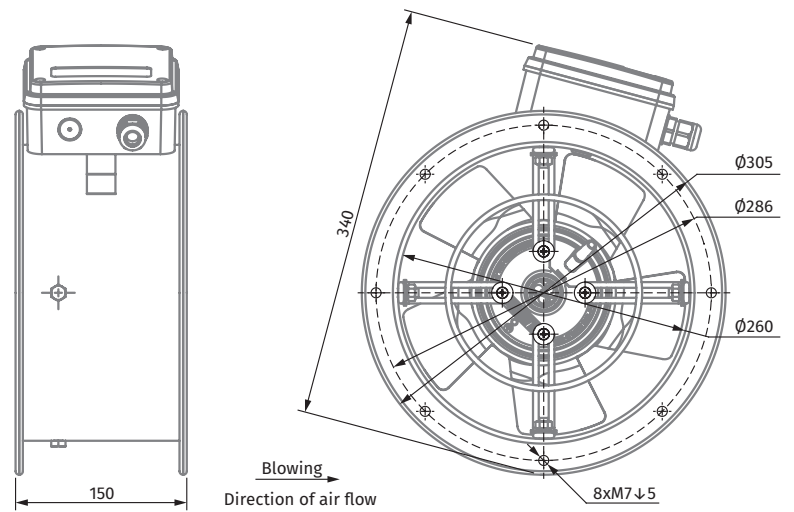
AC AXIAL FAN



Axial Fan *with mounting plate and low grid	Weight [kg]
Axis-Q 250 2E	4.0
Axis-Q 250 4E	3.5



Axial Fan *in metal casing	Weight [kg]
Axis-F 250 2E	4.0
Axis-F 250 4E	3.5



Ø 300 MM, STAMPED

AC AXIAL FAN



Features

- **Impeller material:** alkyd coated steel, stamped
- **Direction of rotation:** clockwise for blowing "B" and counter-clockwise for sucking "S", seen on rotor
- **Type of protection:** IP44
- **Insulation class:** B
- **Mode of operation:** continuous operation (S1)
- **Bearing:** ball bearings
- **Motor protection:** self-resetting TOP wired internally



Technical data

Model	Perform. curve	Nominal voltage [VAC]	Frequency [Hz]	Speed [RPM]	Power input max [W]	Current max [A]	Sound pres. level [dB(A)]	Perm. amb. temp. [°C]	Capacitor [µF/VDB]	Electrical connection
BL-A300A-4E-C01-B* BL-A300A-4E-C01-S*	I	230	50	1290	93	0.41	59	-25 ... +50	3.0/450	A
Axis-Q 300 4E Axis-F 300 4E	II	230	60	1380	116	0.50	63	-25 ... +50	3.0/450	A

