

Ø 250 MM, BACKWARD CURVED

AC CENTRIFUGAL FAN



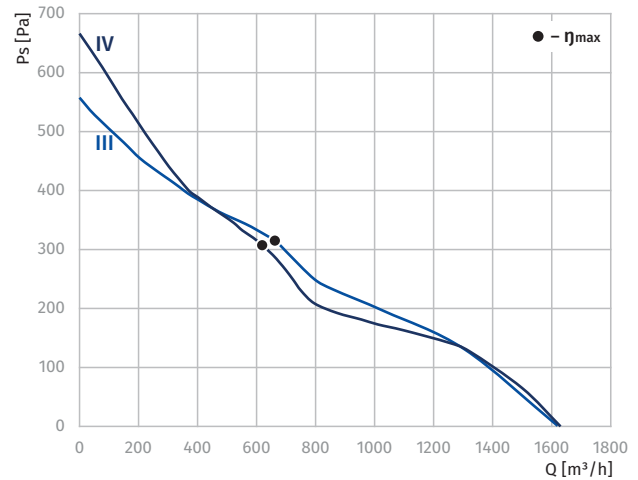
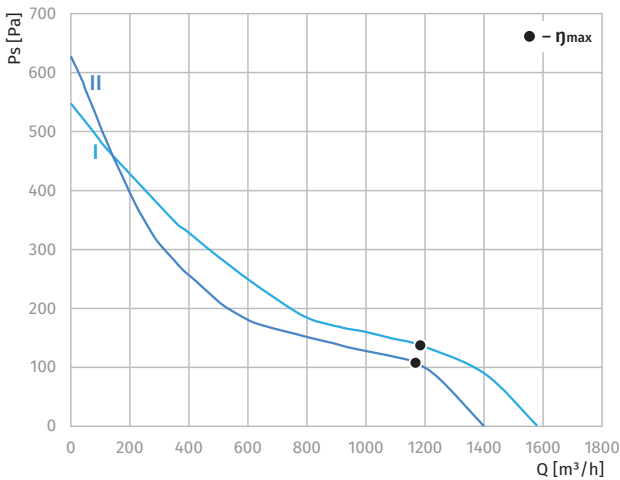
Features

- **Impeller material:** PA plastic + 30% glass fiber + galvanized steel
- **Direction of rotation:** clockwise, seen on rotor
- **Type of protection:** IP44
- **Insulation class:** B
- **Mode of operation:** continuous operation (S1)
- **Bearing:** ball bearings
- **Motor protection:** self-resetting TOP wired internally

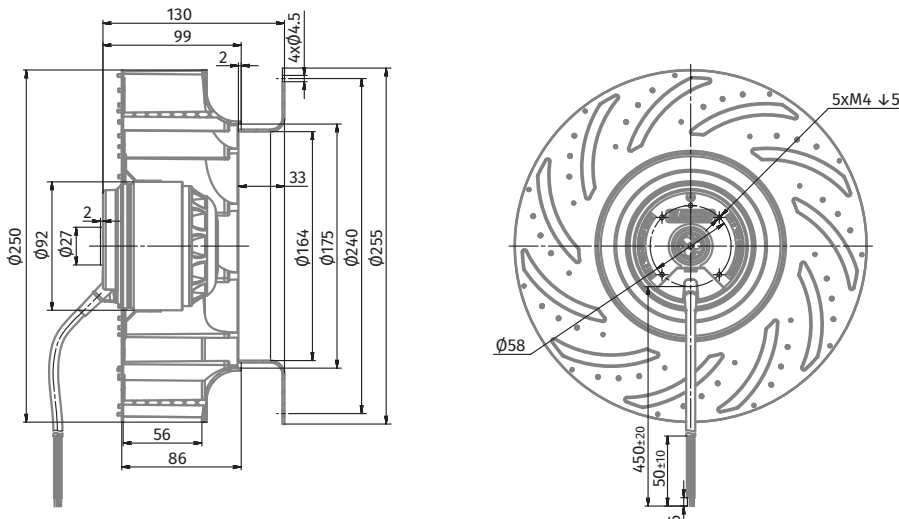


Technical data

Model	Perform. curve	Nominal voltage [VAC]	Frequency [Hz]	Speed [RPM]	Power input max [W]	Current max [A]	Sound pres. level [dB(A)]	Perm. amb. temp. [°C]	Capacitor [µF/VDB]	Electrical connection
BL-B250A-2E-C01-01	I	230	50	2240	188	0.83	70	-25 ... +50	3.0/450	A
	II	230	60	1980	212	0.93	69	-25 ... +50	3.0/450	A
BL-B250A-2E-D01-01	III	230	50	2230	195	0.85	72	-25 ... +50	4.0/450	A
	IV	230	60	2170	241	1.05	70	-25 ... +50	4.0/450	A



Overall Dimensions



AC AXIAL FANS

BACKWARD CURVED AC CENTRIFUGAL FANS

BACKWARD CURVED EC CENTRIFUGAL FANS

FORWARD CURVED AC CENTRIFUGAL FANS

FORWARD CURVED EC CENTRIFUGAL FANS

AC BLOWERS

EC BLOWERS

AC MOTORS