

Ø 140 MM, SINGLE INLET (FORWARD CURVED)

AC BLOWER



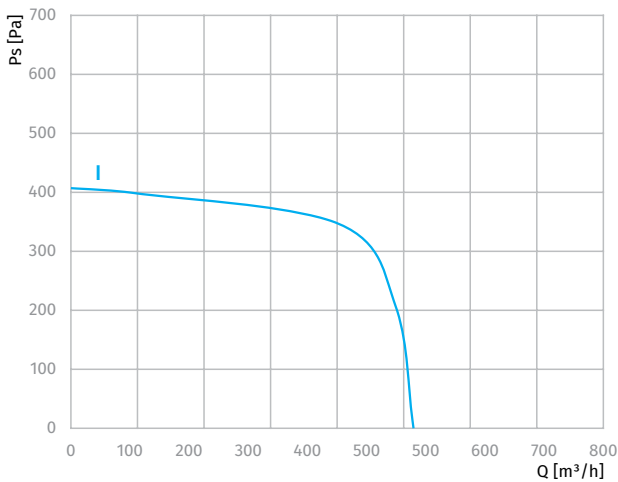
Features

- Impeller material: galvanized steel
- Casing material: sheet steel
- Direction of rotation: clockwise, seen on rotor
- Type of protection: IP44
- Insulation class: B
- Mode of operation: continuous operation (S1)
- Bearing: ball bearings
- Motor protection: self-resetting TOP wired internally

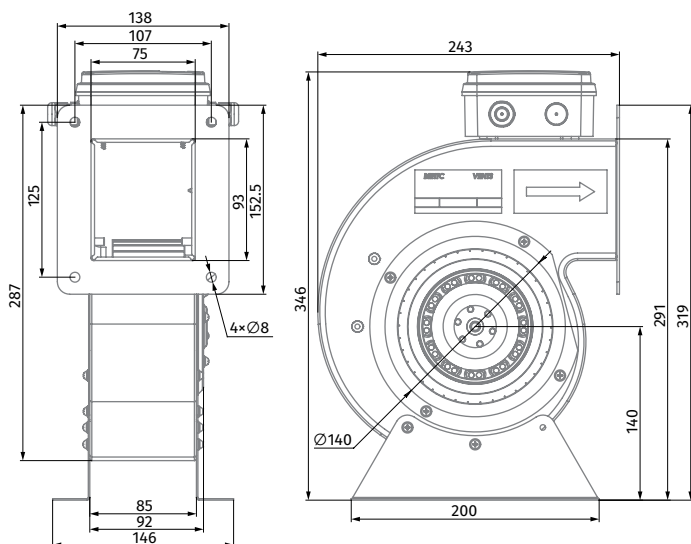


Technical data

Model	Perform. curve	Nominal voltage [VAC]	Frequency [Hz]	Speed [RPM]	Power input max [W]	Current max [A]	Sound pres. level [dBA]	Perm. amb. temp. [°C]	Capacitor [µF/VDB]	Electrical connection
Helix 140x60 2E	I	230	50	2820	140	0.64	68	-25 ... +45	-	A



Overall dimensions



Accessories

Model	Rubber vibration absorbing dampers	Spring-loaded vibration absorbing dampers	Flange	Grille
Helix 140x60 2E	SI-G 8	SI-F 8	FRZ-H 140	SG-H 140

BACKWARD CURVED AC CENTRIFUGAL FANS

BACKWARD CURVED EC CENTRIFUGAL FANS

FORWARD CURVED AC CENTRIFUGAL FANS

FORWARD CURVED EC CENTRIFUGAL FANS

FORWARD CURVED AC BLOWERS

FORWARD CURVED EC BLOWERS

BACKWARD CURVED EC BLOWERS