

# Ø 120 MM, SINGLE INLET (FORWARD CURVED)

## AC BLOWER



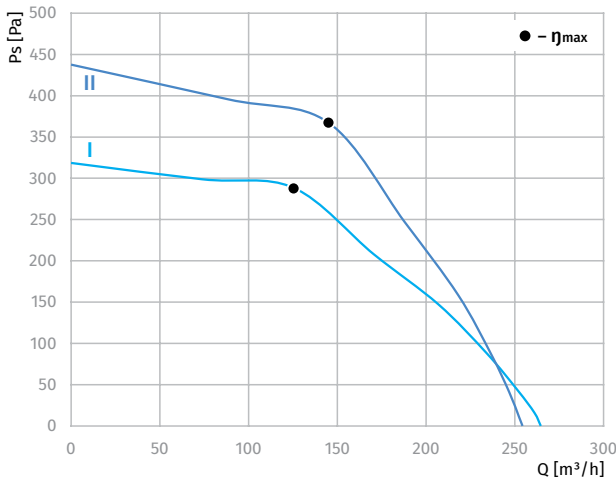
### Features

- **Impeller material:** galvanized steel
- **Casing material:** die-cast aluminium
- **Direction of rotation:** clockwise, seen on rotor
- **Type of protection:** IP44
- **Insulation class:** B
- **Mode of operation:** continuous operation (S1)
- **Bearing:** ball bearings
- **Motor protection:** self-resetting TOP wired internally

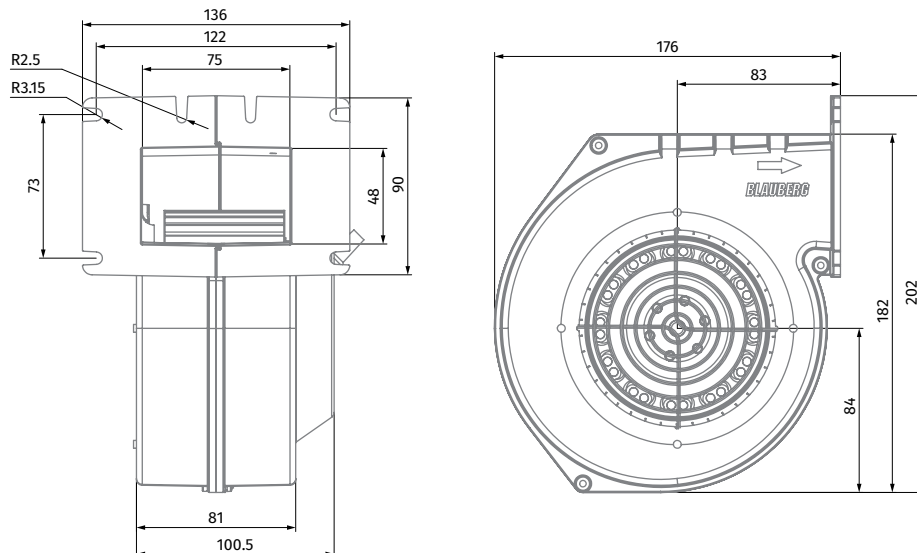


### Technical data

Model	Perform. curve	Nominal voltage [VAC]	Frequency [Hz]	Speed [RPM]	Power input max [W]	Current max [A]	Sound pres. level [dBA]	Perm. amb. temp. [°C]	Capacitor [µF/VDB]	Electrical connection
SL-F120A-2E-A01-11	I	230	50	2720	72	0.31	60	-25 ... +50	1.5/450	A
	II	230	60	3070	88	0.38	62	-25 ... +50	1.5/450	A



### Overall dimensions



BACKWARD CURVED  
AC CENTRIFUGAL FANS

BACKWARD CURVED  
EC CENTRIFUGAL FANS

FORWARD CURVED  
AC CENTRIFUGAL FANS

FORWARD CURVED  
EC CENTRIFUGAL FANS

FORWARD CURVED  
AC BLOWERS

FORWARD CURVED  
EC BLOWERS

BACKWARD CURVED  
EC BLOWERS