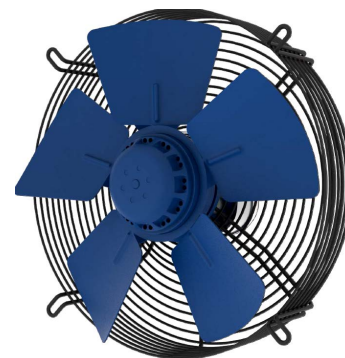


PRODUCT SPECIFICATION



TYPE	AC axial fan, stamped blades
MODEL	BL-A300A-4E-C01-B (Blowing)
MODEL	BL-A300A-4E-C01-S (Sucking)

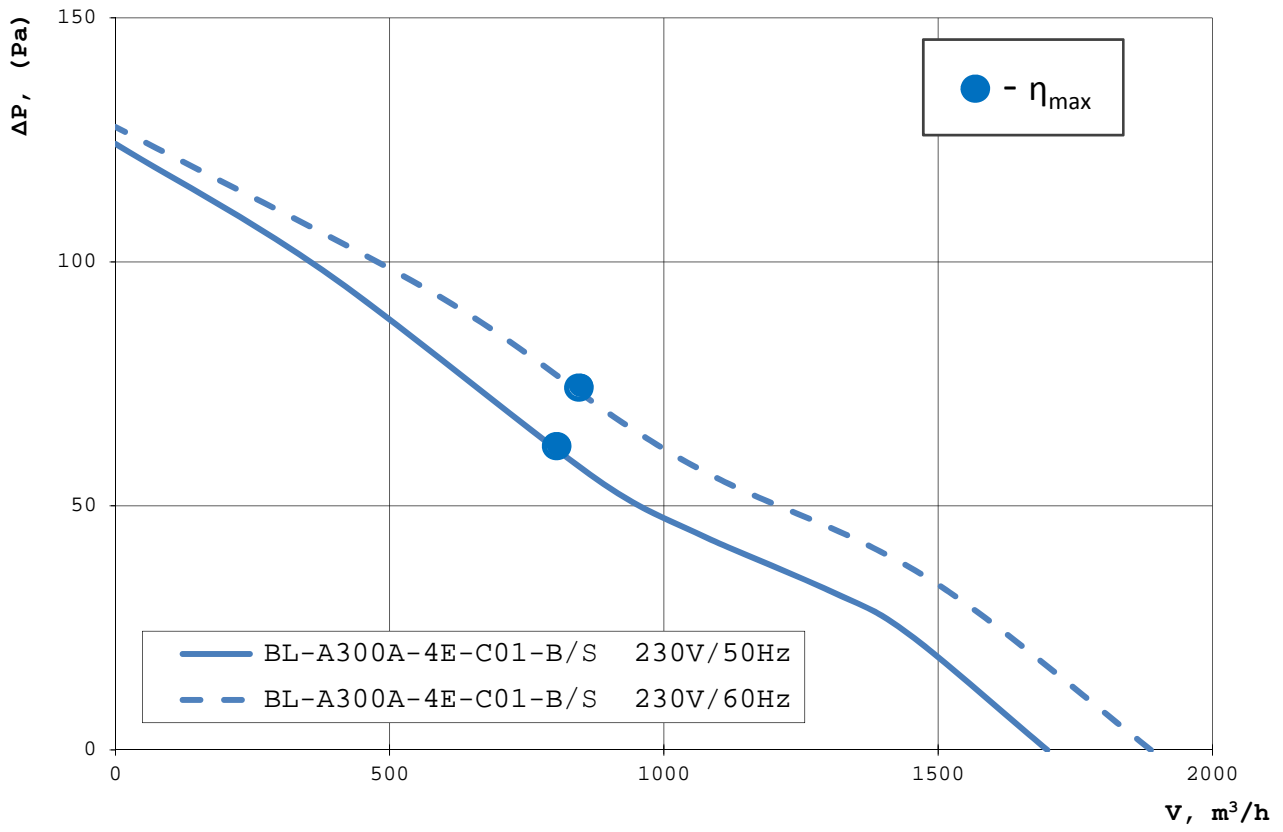
NOMINAL DATA

Phase	-	1~	1~
Nominal Voltage	VAC	230	230
Frequency	Hz	50	60
Speed	RPM	1290	1380
Power Input	W	93	116
Current	A	0,41	0,50
Sound Pressure Level	dB(A)	59	63
Capacitor	µF	3	3
Capacitor Voltage	VDB	450	450
Valid For Approval/Standard		CE	CE
Min. Ambient Temperature	°C	-25	-25
Max. Ambient Temperature	°C	50	50

TECHNICAL FEATURES

Mass	3 Kg
Dimensions	300 mm
Material Of Impeller	steel powder coated, stamped
Number Of Blades	5
Direction Of Rotation	clockwise, seen on rotor
Surface Of Rotor	Blue colour
Type of protection	IP44
Insulation Class	B
Condensate Discharge Holes	on rotor side
Min./Max. permissible ambient motor temperature (transportable/ storage)	- 40°C ... + 80°C
Operation Mode	S1
Motor Bearing	ball bearing
Motor Protection	self-resetting TOP wired internally
Electrical leads	Via terminal box
RoHS	all material accord with RoHS
Min./Max. Humidity	0% ... 90% RH
Motor	external rotor AC motor
Deviation Of Impeller In Axial Direction	≤1mm
Deviation Of Impeller In Radial Direction	≤1mm

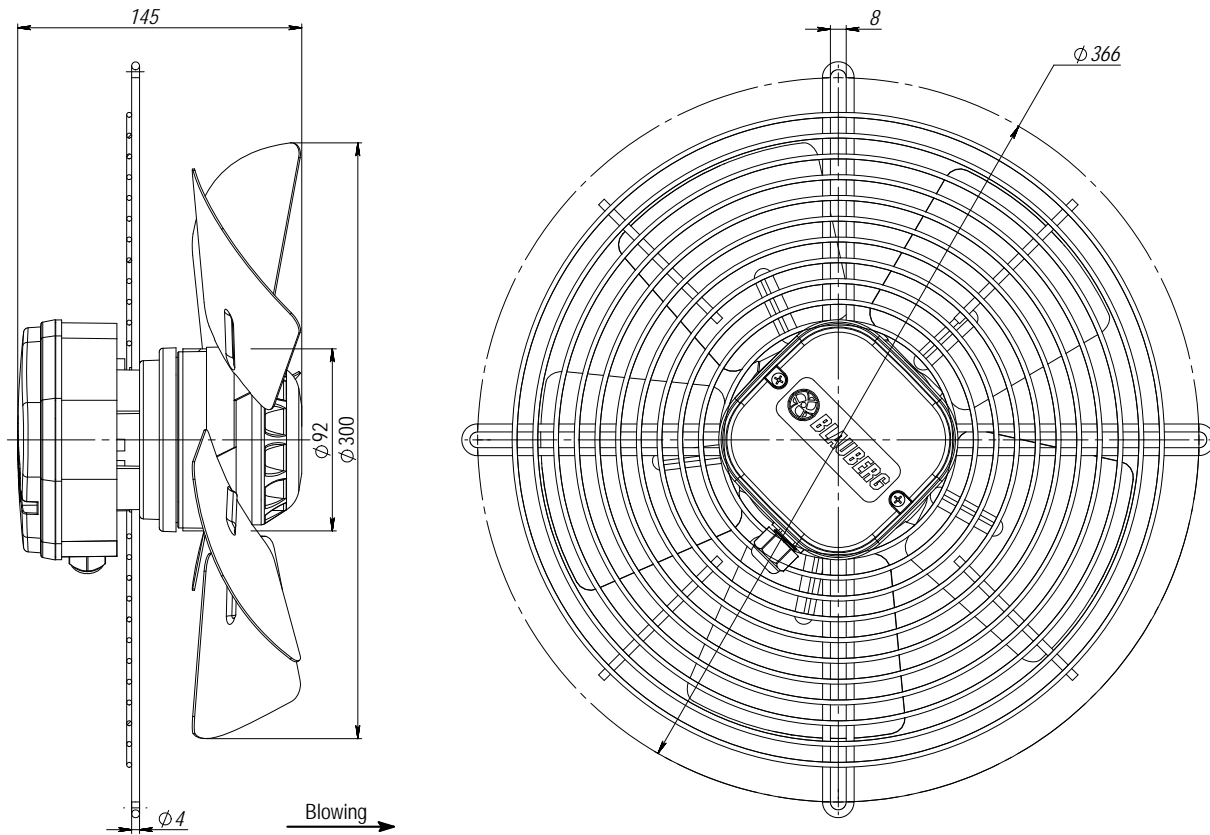
PERFORMANCE CURVES



DATA ACCORDING TO ErP DIRECTIVE

Not subject to ErP regulations (P1 < 125W).

DIMENSIONS DRAWING



ELECTRICAL CONNECTION DIAGRAMM

