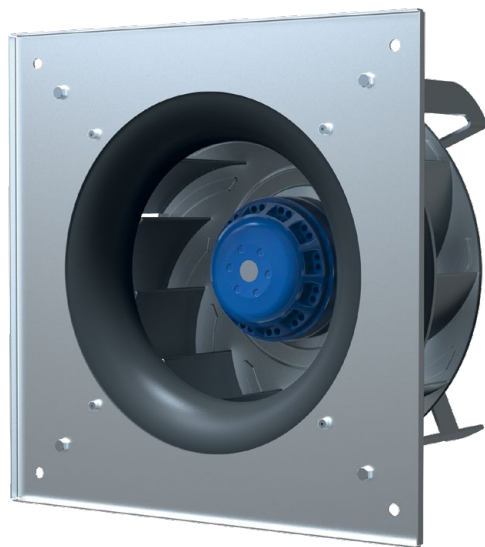


# Ø 250 MM, BACKWARD CURVED

# AC CENTRIFUGAL FAN



## Features

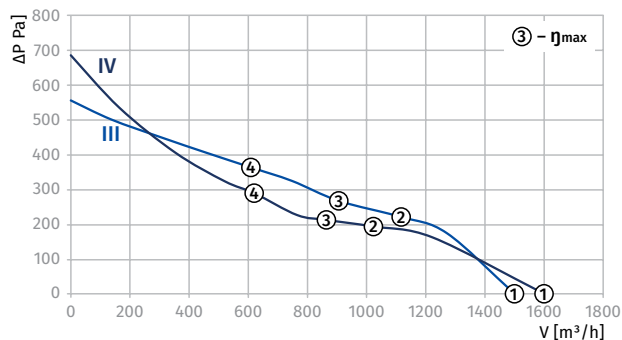
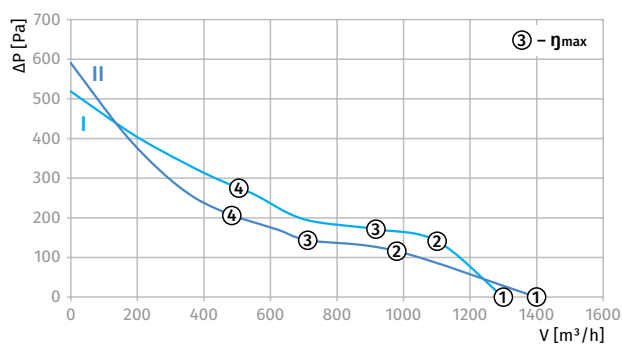
- **Materials:** Impeller – PA6+GF30+galvanized steel  
Inlet ring– PA6+GF30  
Housing – sheet steel, painted grey
- **Direction of rotation:** clockwise, seen on rotor
- **Type of protection:** IP44
- **Insulation class:** B
- **Mode of operation:** continuous operation (S1)
- **Bearing:** ball bearings
- **Motor protection:** self-resetting TOP wired internally



## Technical data

Model	Perform. curve	Nominal voltage [VAC]	Frequency [Hz]	Speed [RPM]	Power input max [W]	Current max [A]	Sound pres. level [dB(A)]	Perm. amb. temp. [°C]	Capacitor / Capacitor voltage [µF] / [VDB]	Electrical connection	Inlet ring
GL-B250A-2E-C01-01	I	230	50	2600	204	0.90	69	-25 ... +50	3.0/450	Type "A"/p. 39	p.38
	II	230	60	2800	219	1	70	-25 ... +50	3.0/450	Type "A"/p. 39	p.38
GL-B250A-2E-D01-01	III	230	50	2700	223	0.97	70	-25 ... +50	4.0/450	Type "A"/p. 39	p.38
	IV	230	60	3000	261	1.14	71	-25 ... +50	4.0/450	Type "A"/p. 39	p.38

## PERFORMANCE CURVES

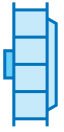


Curve	Point	n [RPM]	Pi [W]	I [A]
I	1	2450	198	0.85
	2	2560	196	0.86
	3	2600	204	0.90
	4	2540	195	0.87
II	1	2780	210	0.95
	2	2700	215	0.97
	3	2800	219	1.00
	4	2780	218	0.92
III	1	2640	215	0.92
	2	2620	219	0.95
	3	2700	223	0.97
	4	2690	217	0.93
IV	1	2970	252	1.08
	2	2900	259	1.10
	3	3000	261	1.14
	4	2910	260	1.07

# Ø 250 MM, BACKWARD CURVED

# AC CENTRIFUGAL FAN

## Overall Dimensions

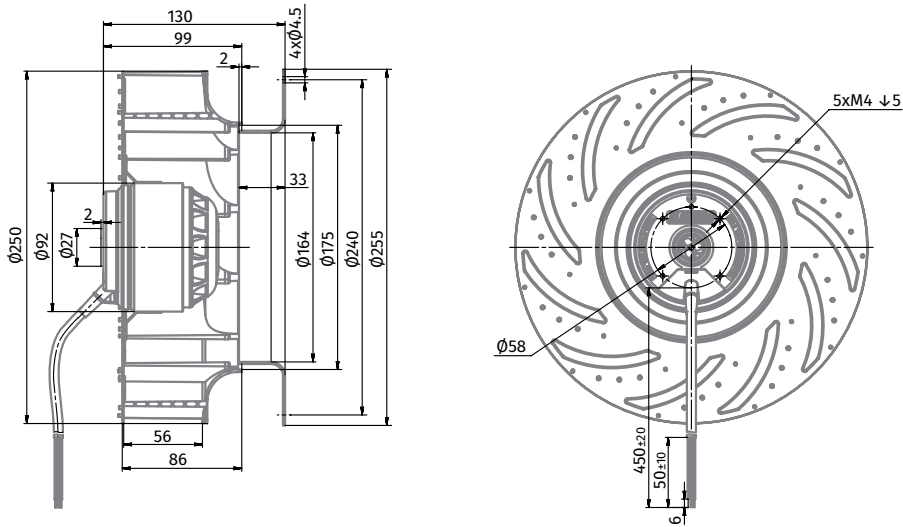


Centrifugal Fan	Weight [kg]
BL-B250A-2E-C01-01	2.60
BL-B250A-2E-D01-01	2.90

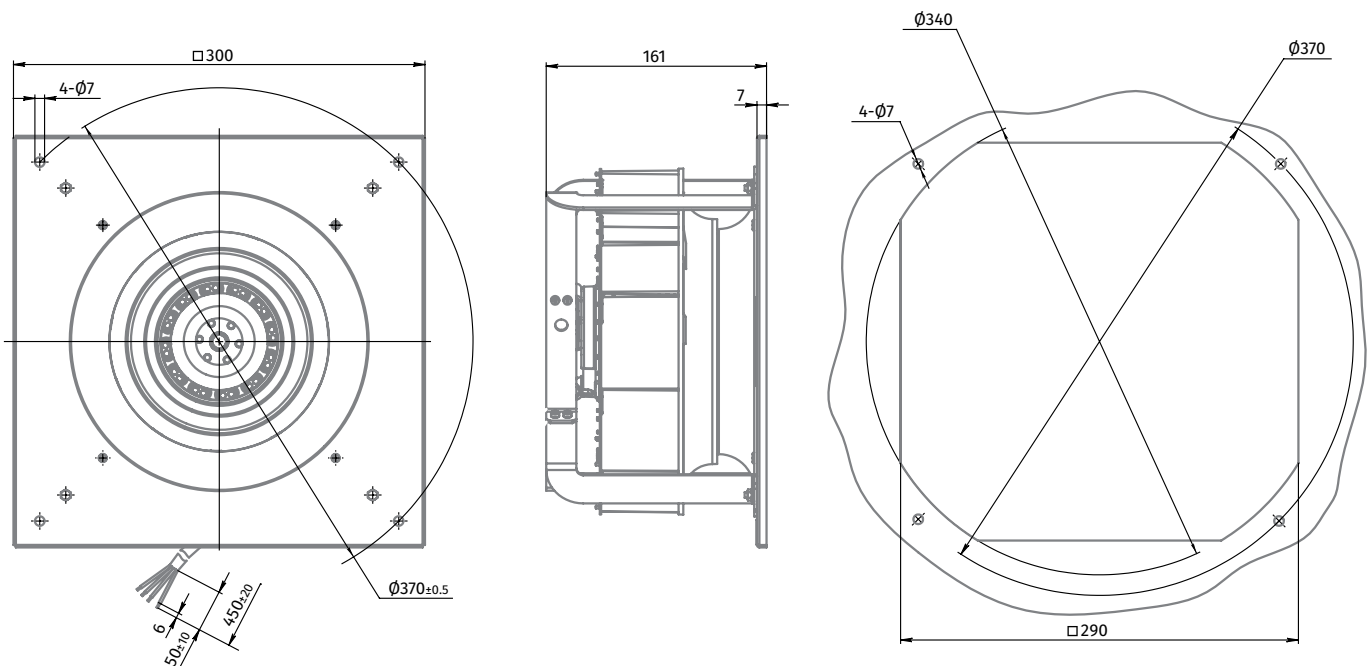


Centrifugal Fan with Plug Fan Casing	Weight [kg]
GL-B250A-2E-C01-01	3.65
GL-B250A-2E-D01-01	3.95

### BL-B250A-2E-C01-01, BL-B250A-2E-D01-01



### GL-B250A-2E-C01-01, GL-B250A-2E-D01-01



Ø 133

Ø 175

Ø 190

Ø 220

Ø 225

Ø 250

Ø 190

Ø 220

Ø 225

Ø 250