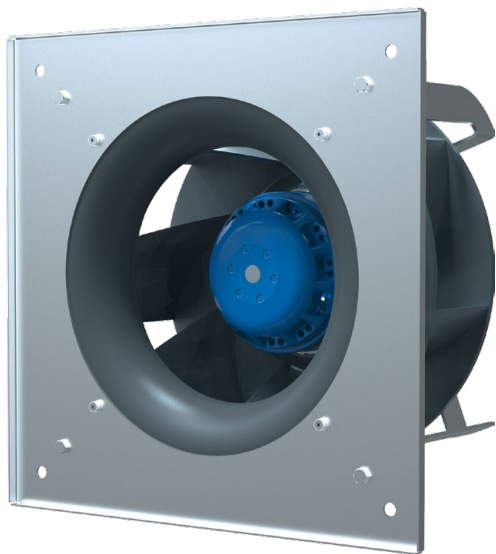


# Ø 225 MM, BACKWARD CURVED

# AC CENTRIFUGAL FAN



### Features

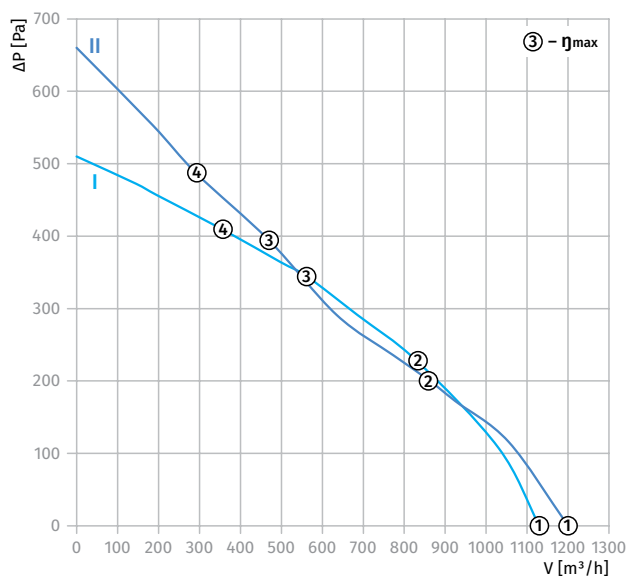
- **Materials:** Impeller – PA6+GF30  
Inlet ring – PA6+GF30  
Housing – galvanized steel
- **Direction of rotation:** clockwise, seen on rotor
- **Type of protection:** IP44
- **Insulation class:** F
- **Mode of operation:** continuous operation (S1)
- **Bearing:** ball bearings
- **Motor protection:** self-resetting TOP wired internally



### Technical data

Model	Perform. curve	Nominal voltage [VAC]	Frequency [Hz]	Speed [RPM]	Power input max [W]	Current max [A]	Sound pres. level [dB(A)]	Perm. amb. temp. [°C]	Capacitor / Capacitor voltage [µF] / [VDB]	Electrical connection	Inlet ring
GL-B225G-2E-C01-01	I	230	50	2700	145	0.60	70	-25 ... +60	3.5/450	Type "A"/p. 39	p.38
	II	230	60	3100	186	0.80	71	-25 ... +60	3.5/450	Type "A"/p. 39	p.38

### PERFORMANCE CURVES



Curve	Point	n [RPM]	Pi [W]	I [A]
I	1	2580	139	0.58
	2	2670	138	0.59
	3	2700	145	0.60
	4	2680	141	0.56
II	1	3005	180	0.74
	2	2930	182	0.77
	3	3100	186	0.80
	4	3040	183	0.76

# Ø 225 MM, BACKWARD CURVED

# AC CENTRIFUGAL FAN

## Overall Dimensions

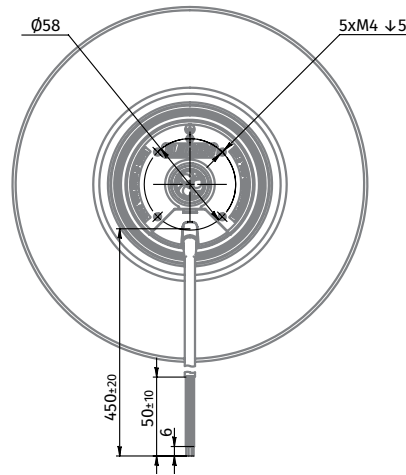
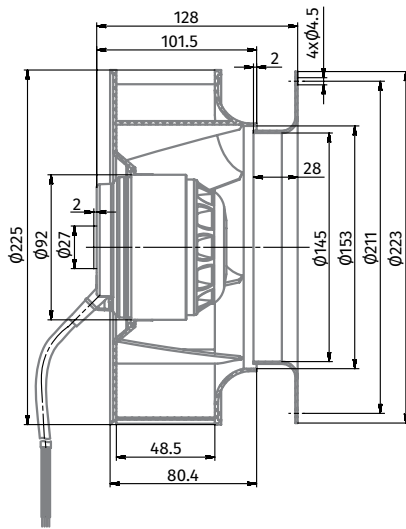


Centrifugal Fan	Weight [kg]
BL-B225G-2E-C01-01	2.35



Centrifugal Fan with Plug Fan Casing	Weight [kg]
GL-B225G-2E-C01-01	3.25

### BL-B225G-2E-C01-01



### GL-B225G-2E-C01-01

