

Ø 220 mm, BACKWARD CURVED

AC CENTRIFUGAL FAN



Features

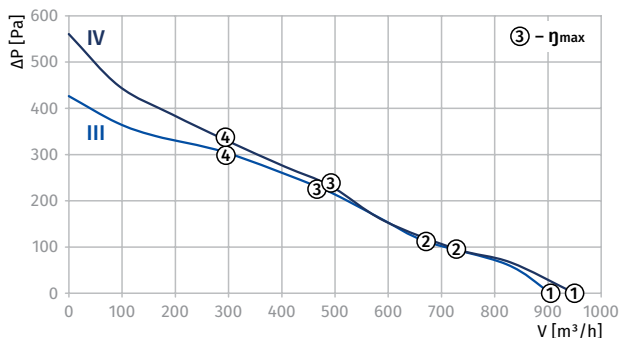
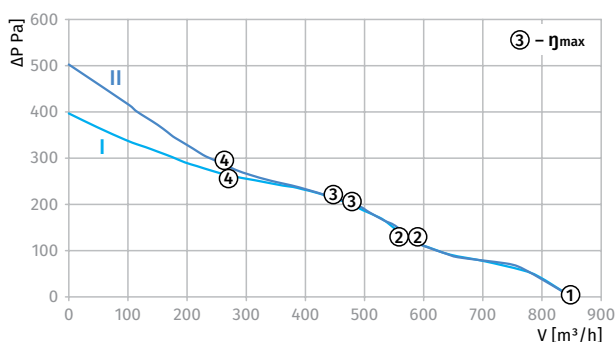
- **Materials:** Impeller – PA6+GF30
Inlet ring – PA6+GF30
Housing – sheet steel, painted grey
- **Direction of rotation:** clockwise, seen on rotor
- **Type of protection:** IP44
- **Insulation class:** B
- **Mode of operation:** continuous operation (S1)
- **Bearing:** ball bearings
- **Motor protection:** self-resetting TOP wired internally



Technical data

Model	Perform. curve	Nominal voltage [VAC]	Frequency [Hz]	Speed [RPM]	Power input max [W]	Current max [A]	Sound pres. level [dB(A)]	Perm. amb. temp. [°C]	Capacitor / Capacitor voltage [µF] / [VDB]	Electrical connection	Inlet ring
GL-B220B-2E-A01-01	I	230	50	2500	97	0.43	69	-25 ... +40	2/450	Type "A"/p. 39	p.38
	II	230	60	2800	110	0.48	70	-25 ... +40	2/450	Type "A"/p. 39	p.38
GL-B220B-2E-B01-01	III	230	50	2600	111	0.5	70	-25 ... +50	2/450	Type "A"/p. 39	p.38
	IV	230	60	3000	139	0.6	71	-25 ... +50	2/450	Type "A"/p. 39	p.38

PERFORMANCE CURVES



Curve	Point	n [RPM]	Pi [W]	I [A]
I	1	2170	94	0.40
	2	2280	96	0.42
	3	2500	97	0.43
	4	2450	95	0.42
II	1	2700	104	0.44
	2	2640	108	0.47
	3	2800	110	0.48
	4	2790	102	0.45
III	1	2510	108	0.43
	2	2470	106	0.47
	3	2600	111	0.50
	4	2510	110	0.43
IV	1	2905	133	0.53
	2	2880	139	0.57
	3	3000	139	0.60
	4	2915	136	0.51

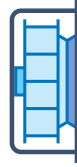
Ø 220 MM, BACKWARD CURVED

AC CENTRIFUGAL FAN

Overall Dimensions

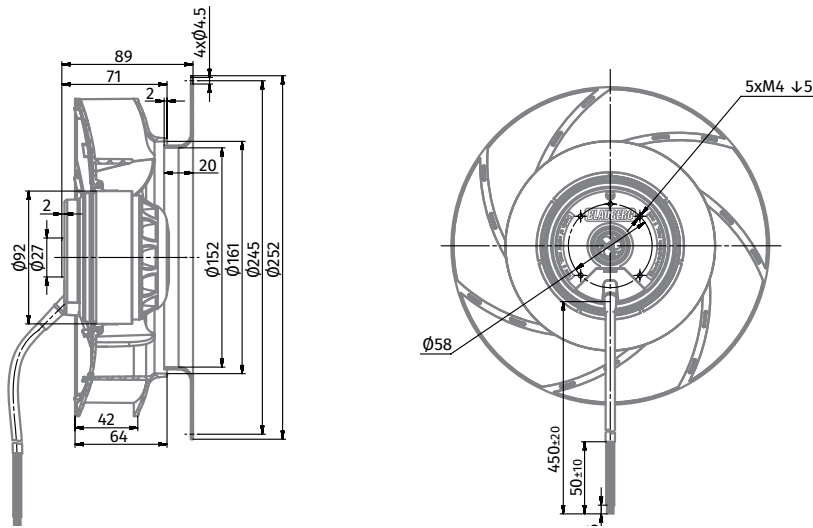


Centrifugal Fan	Weight [kg]
BL-B220B-2E-A01-01	1.30
BL-B220B-2E-B01-01	1.30



Centrifugal Fan with Plug Fan Casing	Weight [kg]
GL-B220B-2E-A01-01	2.15
GL-B220B-2E-B01-01	2.15

BL-B220B-2E-A01-01, BL-B220B-2E-B01-01



GL-B220B-2E-A01-01, GL-B220B-2E-B01-01

