

Ø 250 MM, BACKWARD CURVED

EC CENTRIFUGAL FAN



Features

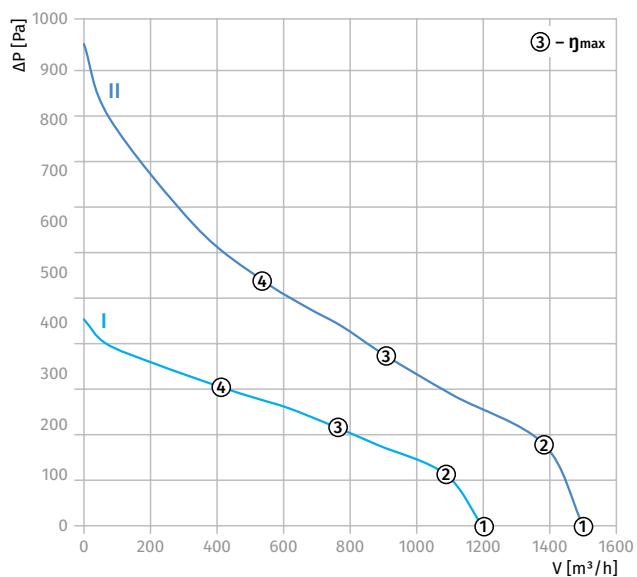
- **Materials:** Impeller – PA6+GF30
Inlet ring – PA6+GF30
Housing – sheet steel, painted grey
- **Direction of rotation:** clockwise, seen on rotor
- **Type of protection:** IP55
- **Insulation class:** B
- **Mode of operation:** S1
- **Bearing:** ball bearings
- **Motor protection:** self-resetting TOP wired internally



Technical data

Model	Perform. curve	Nominal voltage [VAC]	Frequency [Hz]	Speed [RPM]	Power input max [W]	Current max [A]	Sound pres. level [dB(A)]	Perm. amb. temp. [°C]	Electrical connection	Inlet ring
GL-B250B-EC-00	I	230	50/60	1800	85	0.7	72	-25 ... +60	Type "E"/p. 39	p.38
GL-B250B-EC-01	II	230	50/60	2800	162	1.2	72	-25 ... +60	Type "E"/p. 39	p.38

PERFORMANCE CURVES



Curve	Point	n [RPM]	Pi [W]	I [A]
I	1	1970	82	0.66
	2	1910	83	0.67
	3	1800	85	0.7
	4	1950	80	0.66
II	1	2560	160	1.20
	2	2510	161	1.20
	3	2800	162	1.20
	4	2585	159	1.20

Ø 250 MM, BACKWARD CURVED

EC CENTRIFUGAL FAN

Overall Dimensions

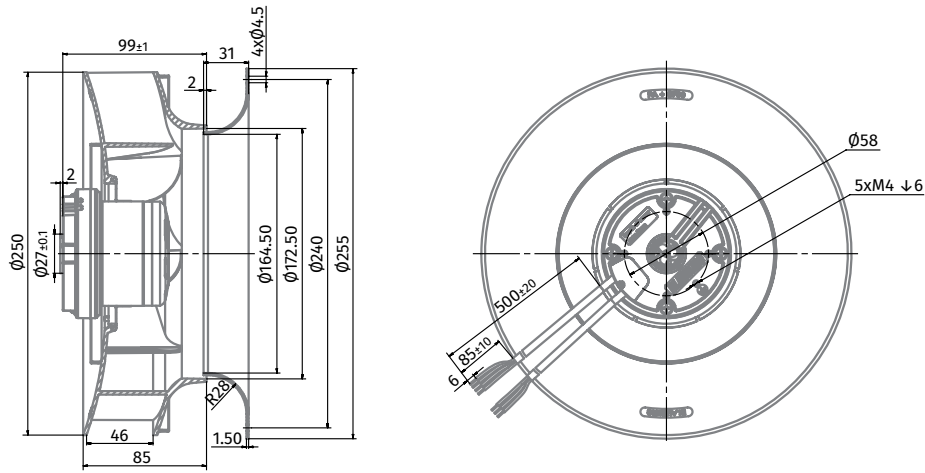


Centrifugal Fan	Weight [kg]
BL-B250B-EC-00	1.3
BL-B250B-EC-01	1.85

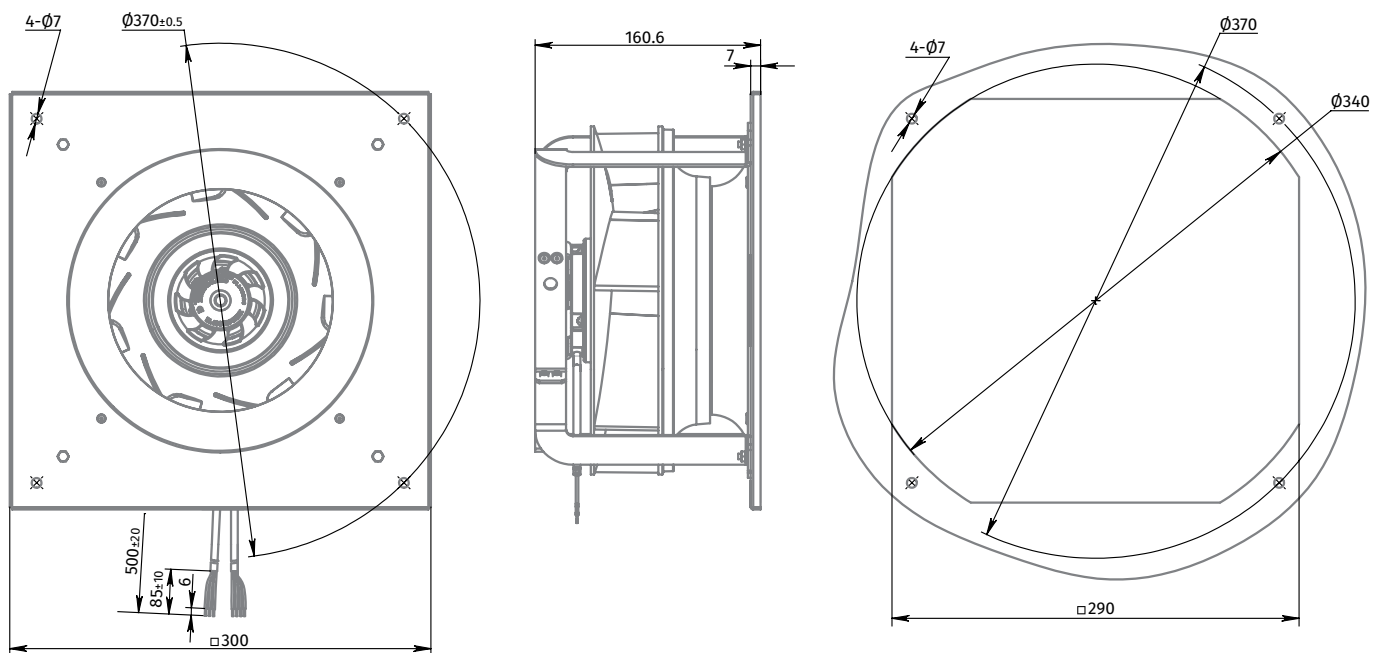


Centrifugal Fan with Plug Fan Casing	Weight [kg]
GL-B250B-EC-00	2.4
GL-B250B-EC-01	2.9

BL-B250B-EC-00



GL-B250B-EC-00



Ø 133

Ø 175

Ø 190

Ø 220

Ø 225

Ø 250

Ø 190

Ø 220

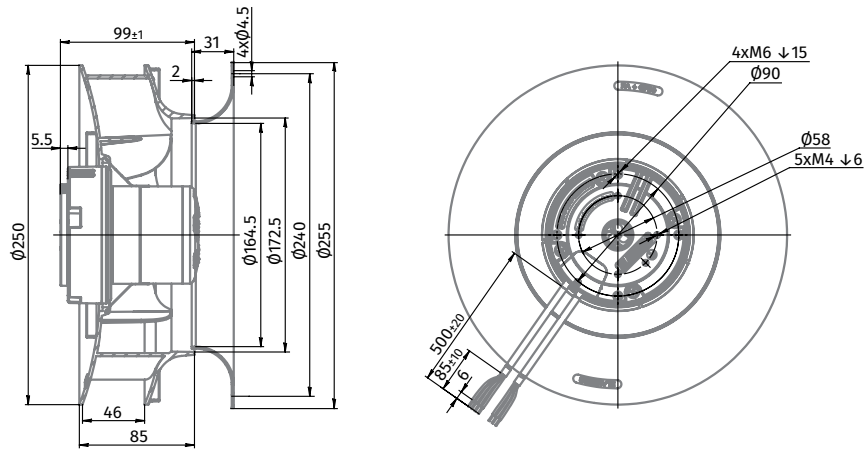
Ø 225

Ø 250

Ø 250 MM, BACKWARD CURVED

EC CENTRIFUGAL FAN

BL-B250B-EC-01



GL-B250B-EC-01

