

# Ø 220 MM, BACKWARD CURVED

# EC CENTRIFUGAL FAN



### Features

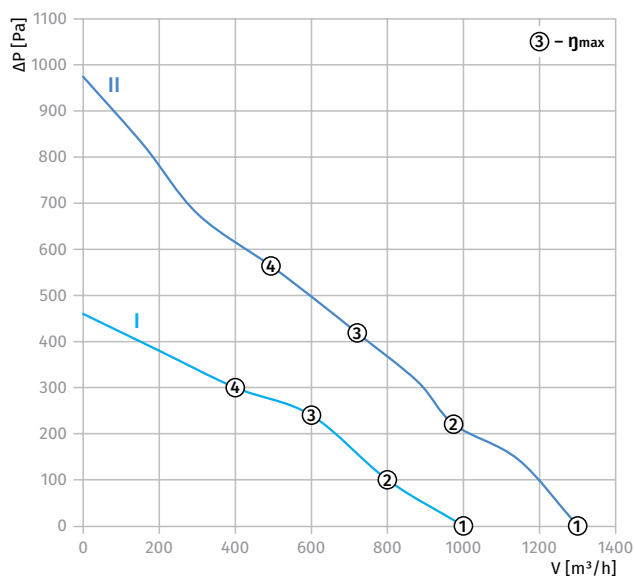
- **Materials:** Impeller – PA6+GF30  
Inlet ring – PA6+GF30  
Housing – sheet steel, painted grey
- **Direction of rotation:** clockwise, seen on rotor
- **Type of protection:** IP55
- **Insulation class:** B
- **Mode of operation:** S1
- **Bearing:** ball bearings
- **Motor protection:** self-resetting TOP wired internally



### Technical data

Model	Perform. curve	Nominal voltage [VAC]	Frequency [Hz]	Speed [RPM]	Power input max [W]	Current max [A]	Sound pres. level [dB(A)]	Perm. amb. temp. [°C]	Electrical connection	Inlet ring
GL-B220C-EC-00	I	230	50/60	2400	86	0.7	70	-25 ... +60	Type "E"/p. 39	p.38
GL-B220C-EC-01	II	230	50/60	3200	165	1.1	72	-25 ... +60	Type "E"/p. 39	p.38

### PERFORMANCE CURVES

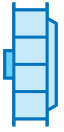


Curve	Point	n [RPM]	Pi [W]	I [A]
I	1	2600	79	0.65
	2	2450	84	0.69
	3	2400	86	0.70
	4	2520	78	0.65
II	1	3350	165	1.10
	2	3260	165	1.10
	3	3200	165	1.10
	4	3310	165	1.10

# Ø 220 MM, BACKWARD CURVED

# EC CENTRIFUGAL FAN

## Overall Dimensions

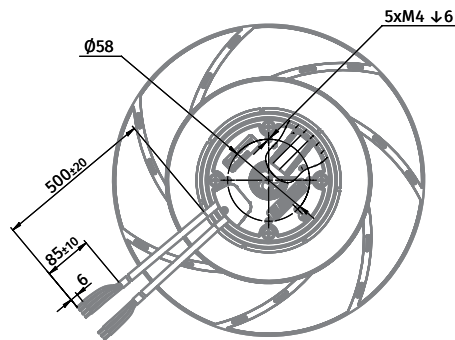
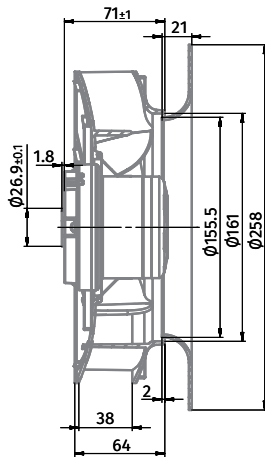


Centrifugal Fan	Weight [kg]
BL-B220C-EC-00	1.15
BL-B220C-EC-01	1.7

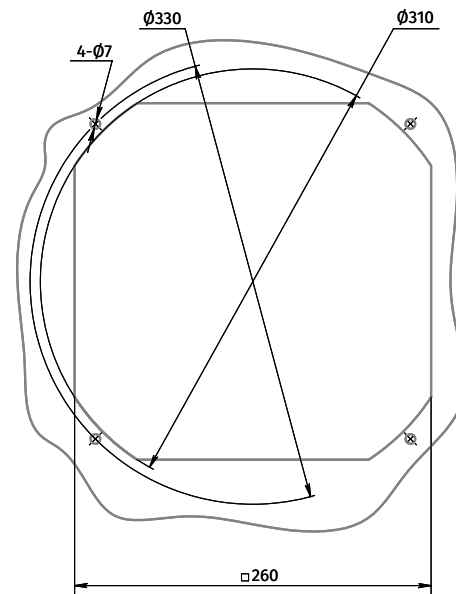
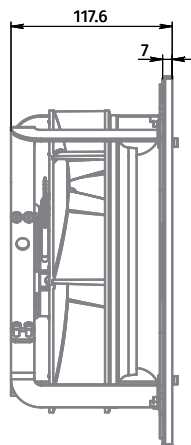
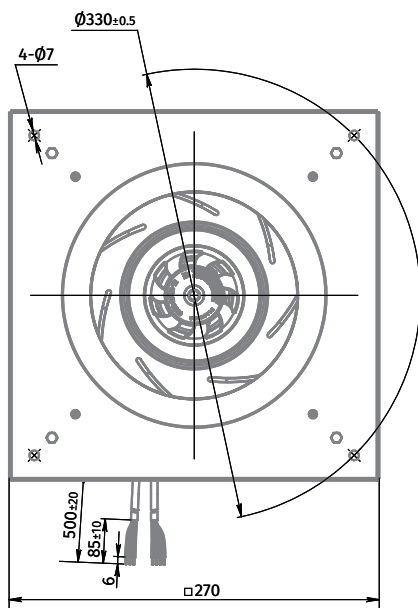


Centrifugal Fan with Plug Fan Casing	Weight [kg]
GL-B220C-EC-00	2
GL-B220C-EC-01	2.55

### BL-B220C-EC-00



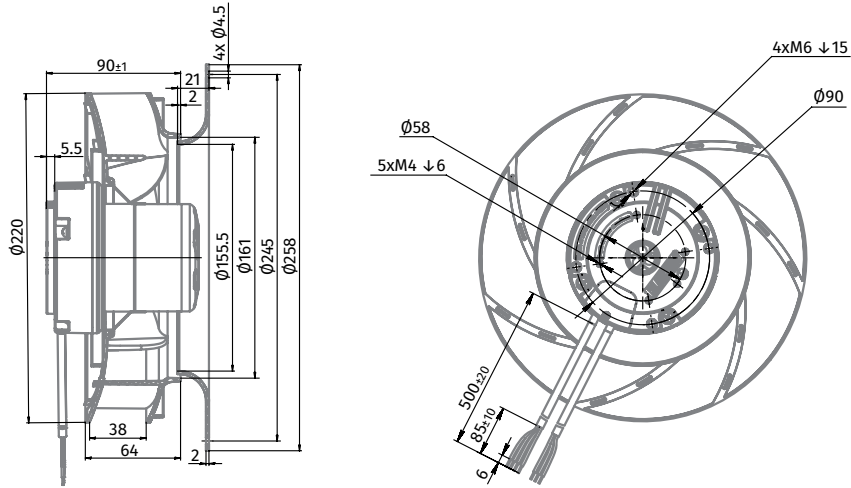
### GL-B220C-EC-00



Ø 220 mm, BACKWARD CURVED

EC CENTRIFUGAL FAN

BL-B220C-EC-01



GL-B220C-EC-01

