

Ø 133 mm, BACKWARD CURVED

EC CENTRIFUGAL FAN



Features

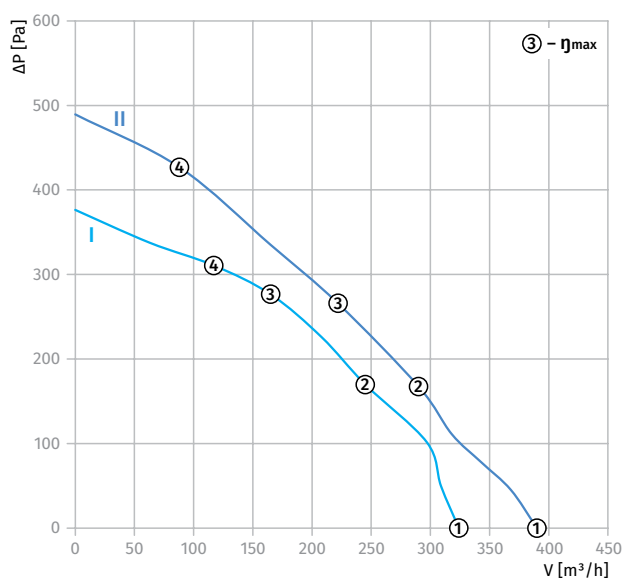
- **Materials:** Impeller – PA6+GF30
Inlet ring – sheet steel
Housing – sheet steel, painted grey
- **Direction of rotation:** clockwise, seen on rotor
- **Type of protection:** IP55
- **Insulation class:** B
- **Mode of operation:** S1
- **Bearing:** ball bearings
- **Motor protection:** self-resetting TOP wired internally



Technical data

Model	Perform. curve	Nominal voltage [VAC]	Frequency [Hz]	Speed [RPM]	Power input max [W]	Current max [A]	Sound pres. level [dB(A)]	Perm. amb. temp. [°C]	Electrical connection	Inlet ring
GL-B133A-EC-00	I	230	50/60	4200	42	0.40	65	-25 ... +60	Type "E"/p. 39	p.38
GL-B133A-EC-03	II	230	50/60	4780	62	0.52	67	-25 ... +60	Type "E"/p. 39	p.38

PERFORMANCE CURVES



Curve	Point	n [RPM]	Pr [W]	I [A]
I	1	4105	41	0.34
	2	4085	41	0.35
	3	4200	42	0.4
	4	4115	33	0.28
II	1	4805	58	0.49
	2	4790	61	0.51
	3	4780	62	0.52
	4	4835	52	0.45

Ø 133 mm, BACKWARD CURVED

EC CENTRIFUGAL FAN

Overall Dimensions

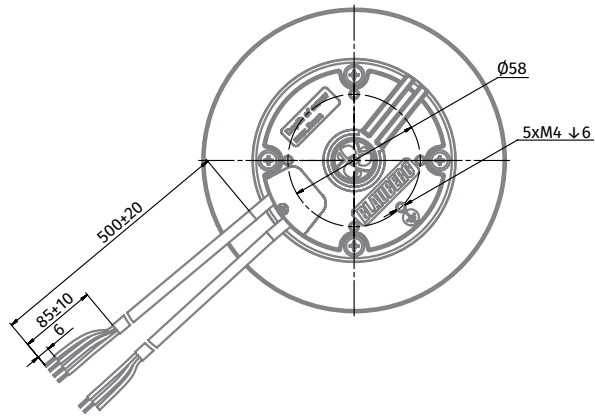
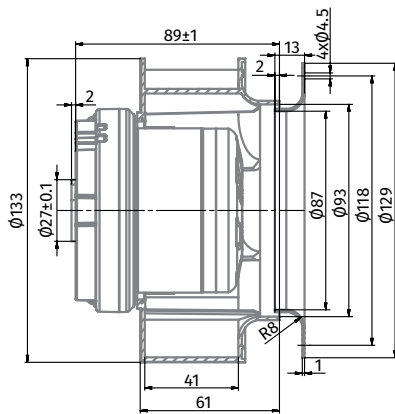


Centrifugal Fan	Weight [kg]
BL-B133A-EC-00	1
BL-B133A-EC-03	1



Centrifugal Fan with Plug Fan Casing	Weight [kg]
GL-B133A-EC-00	1.4
GL-B133A-EC-03	1.4

BL-B133A-EC-00, BL-B133A-EC-03



GL-B133A-EC-00, GL-B133A-EC-03

