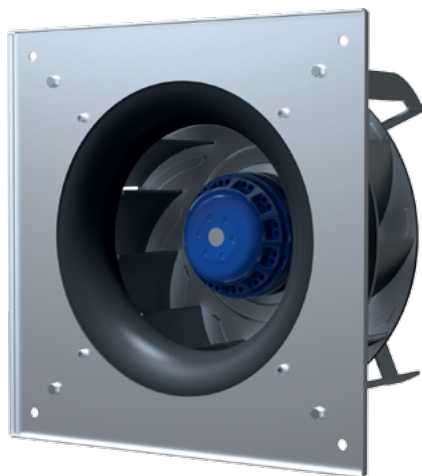


Ø 250 mm, BACKWARD CURVED

AC CENTRIFUGAL FAN



Features

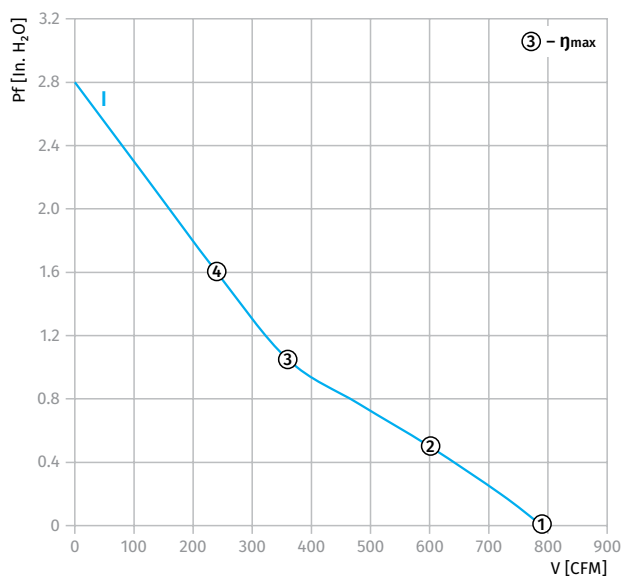
- **Materials:** Impeller – PA6+GF30+galvanized steel
Inlet ring– PA6+GF30
Housing – sheet steel, painted grey
- **Direction of rotation:** clockwise, seen on rotor
- **Type of protection:** IP44
- **Insulation class:** B
- **Mode of operation:** continuous operation (S1)
- **Bearing:** ball bearings
- **Motor protection:** self-resetting TOP wired internally



Technical data

Model	Perform. curve	Nominal voltage [VAC]	Frequency [Hz]	Speed [RPM]	Power input max [W]	Current max [A]	Sound pres. level [dB(A)]	Perm. amb. temp. [°C]	Capacitor / Capacitor voltage [µF] / [VDC]	Electrical connection	Inlet ring
*L-B250A-2C-D01-01	I	120	60	3000	310	2.7	70	-25 ... +50	25/250	Type "A"/p. 37	p.36

PERFORMANCE CURVES



Curve	Point	n [RPM]	Pi [W]	I [A]
I	1	3300	296.61	2.712
	2	3220	302.37	2.749
	3	3000	310.31	2.787
	4	2900	310.06	2.786

Ø 250 MM, BACKWARD CURVED

AC CENTRIFUGAL FAN

Overall Dimensions

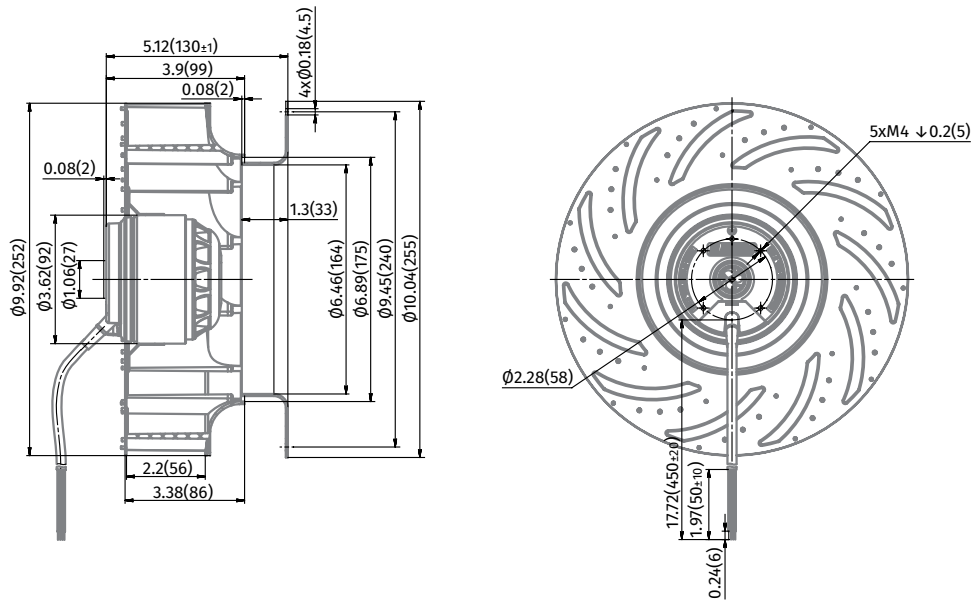


Centrifugal Fan	Weight [kg]
BL-B250A-2C-D01-01	2.48



Centrifugal Fan with Plug Fan	Weight [kg]
GL-B250A-2C-D01-01	3.55

BL-B250A-2C-D01-01



GL-B250A-2C-D01-01

