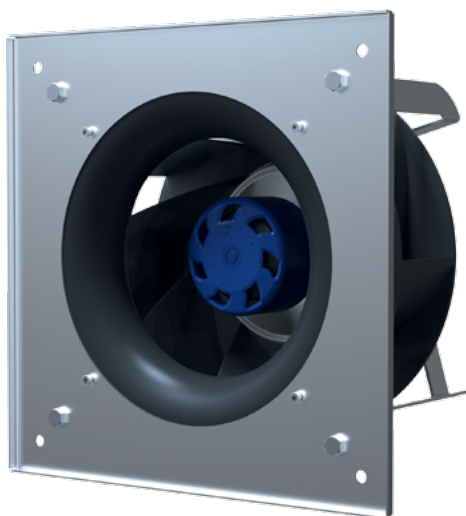


Ø 225 mm, BACKWARD CURVED

EC CENTRIFUGAL FAN



**Features**

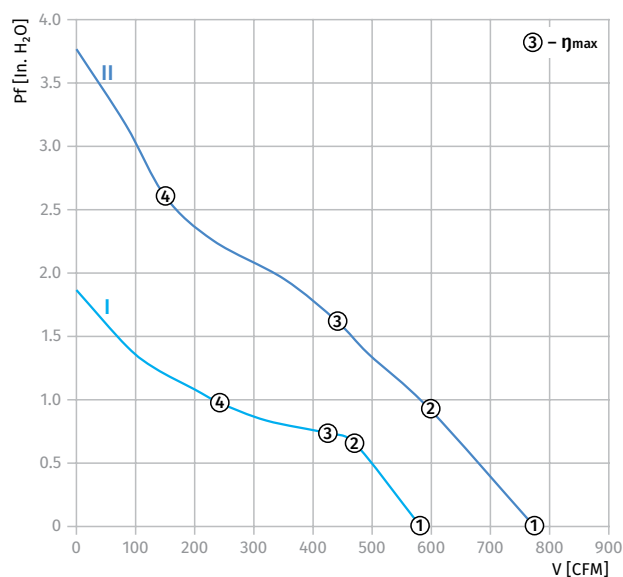
- **Materials:** Impeller – PA6+GF30  
Inlet ring – PA6+GF30  
Housing – sheet steel, painted grey
- **Direction of rotation:** clockwise, seen on rotor
- **Type of protection:** IP55
- **Insulation class:** B
- **Mode of operation:** S1
- **Bearing:** ball bearings
- **Motor protection:** self-resetting TOP wired internally



**Technical data**

Model	Perform. curve	Nominal voltage [VAC]	Frequency [Hz]	Speed [RPM]	Power input max [W]	Current max [A]	Sound pres. level [dB(A)]	Perm. amb. temp. [°C]	Electrical connection	Inlet ring
*C-B225D-EC-00	I	120	60	2160	81	1.1	62	-25 ... +60	Type "E"/p. 37	p.36
*C-B225D-EC-01	II	120	60	2930	175	2.3	72	-25 ... +60	Type "E"/p. 37	p.36

**PERFORMANCE CURVES**

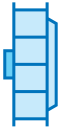


Curve	Point	n [RPM]	Pi [W]	I [A]
I	1	2304	81.7	1.093
	2	2184	81.5	1.100
	3	2160	81.3	1.103
	4	2136	81.1	1.107
II	1	3100	174.78	2.303
	2	3100	174.50	2.304
	3	2930	173.90	2.302
	4	3280	173.96	2.304

# Ø 225 MM, BACKWARD CURVED

# EC CENTRIFUGAL FAN

## Overall Dimensions

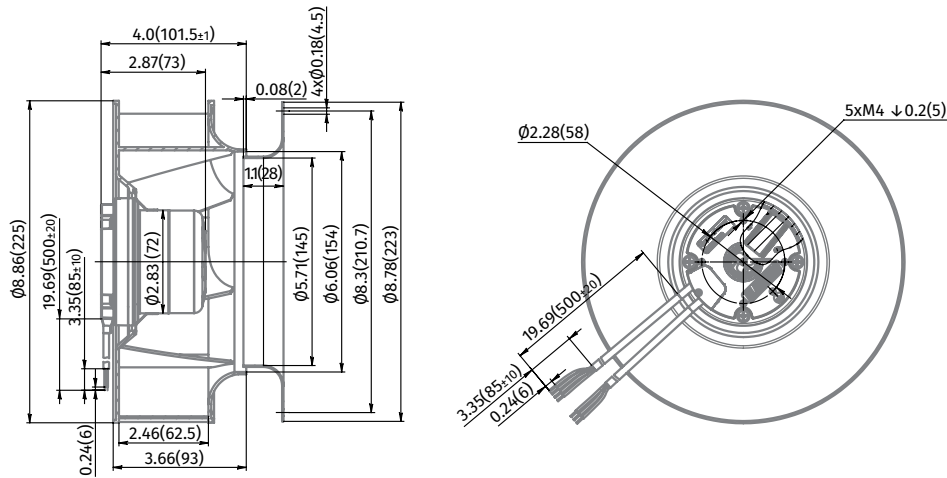


Centrifugal Fan	Weight [kg]
BC-B225D-EC-00	1.3
BC-B225D-EC-01	1.83

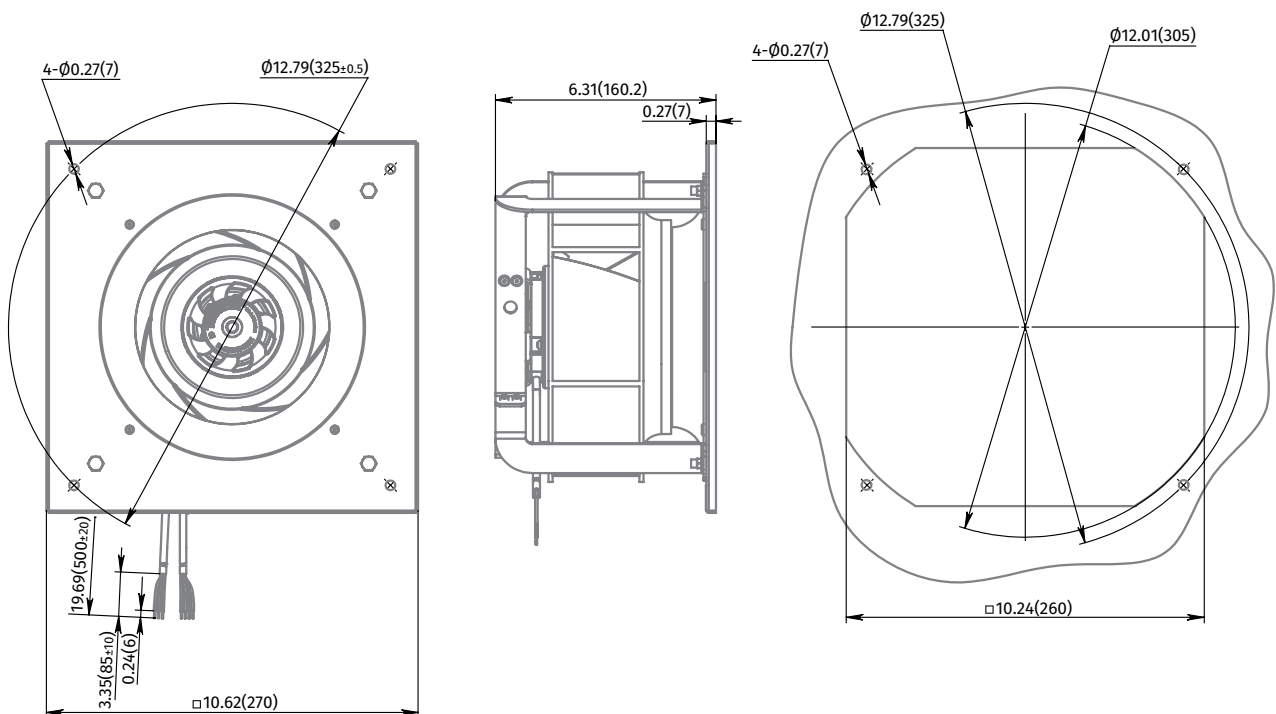


Centrifugal Fan with Plug Fan	Weight [kg]
GC-B225D-EC-00	2.21
GC-B225D-EC-01	2.74

### BC-B225D-EC-00



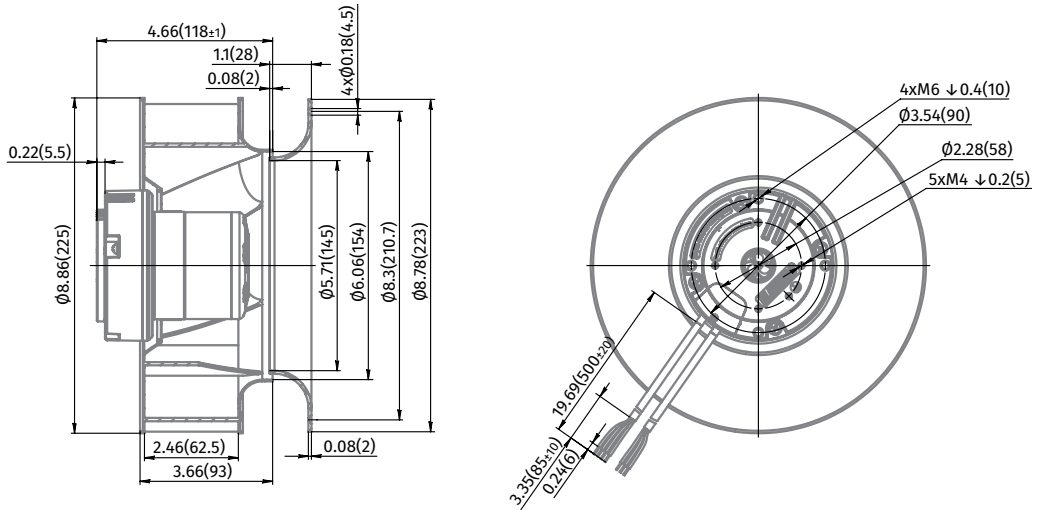
### GC-B225D-EC-00



Ø 225 mm, BACKWARD CURVED

EC CENTRIFUGAL FAN

BC-B225D-EC-01



GC-B225D-EC-01

