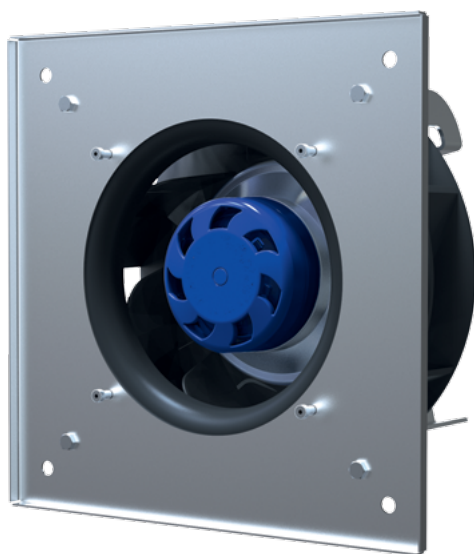


Ø 190 mm, BACKWARD CURVED

EC CENTRIFUGAL FAN



Features

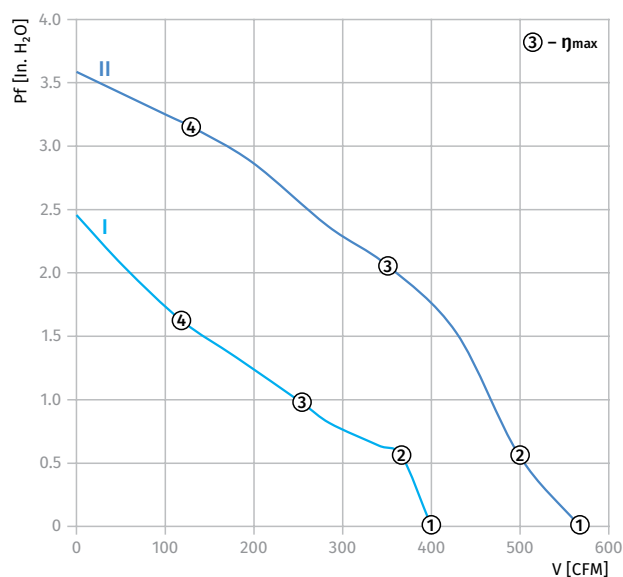
- **Materials:** Impeller – PA6+GF30
Inlet ring – PA6+GF30
Housing – sheet steel, painted grey
- **Direction of rotation:** clockwise, seen on rotor
- **Type of protection:** IP55
- **Insulation class:** B
- **Mode of operation:** S1
- **Bearing:** ball bearings
- **Motor protection:** self-resetting TOP wired internally



Technical data

Model	Perform. curve	Nominal voltage [VAC]	Frequency [Hz]	Speed [RPM]	Power input max [W]	Current max [A]	Sound pres. level [dB(A)]	Perm. amb. temp. [°C]	Electrical connection	Inlet ring
*C-B190B-EC-00	I	120	60	3180	84	1.14	72	-25 ... +60	Type "E"/p. 37	p.36
*C-B190B-EC-03	II	120	60	4120	166	2.2	72	-25 ... +60	Type "E"/p. 37	p.36

PERFORMANCE CURVES

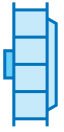


Curve	Point	n [RPM]	Pi [W]	I [A]
I	1	3348	84.70	1.117
	2	3240	84.50	1.128
	3	3180	84.20	1.137
	4	3348	84.10	1.140
II	1	4370	166.28	2.207
	2	4270	166.18	2.206
	3	4120	166.00	2.204
	4	4590	165.80	2.201

Ø 190 MM, BACKWARD CURVED

EC CENTRIFUGAL FAN

Overall Dimensions

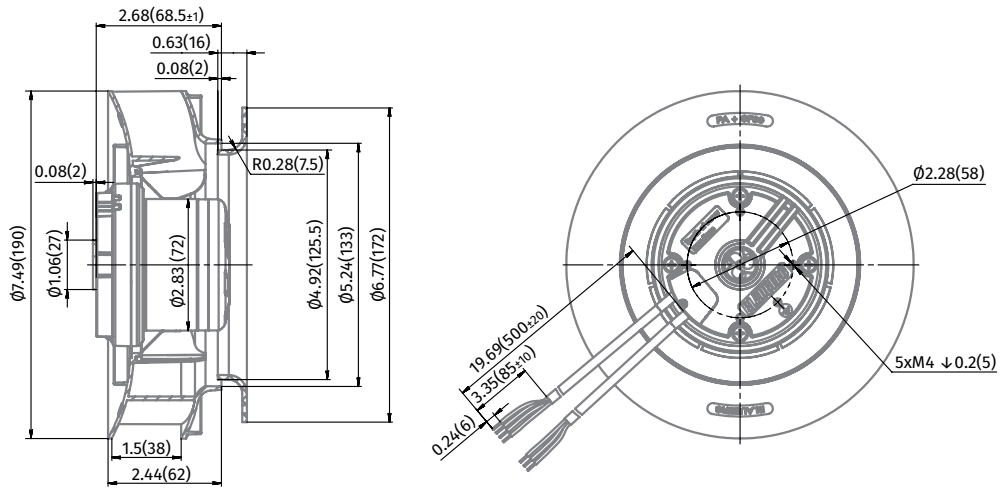


Centrifugal Fan	Weight [kg]
BC-B190B-EC-00	1.1
BC-B190B-EC-03	1.65

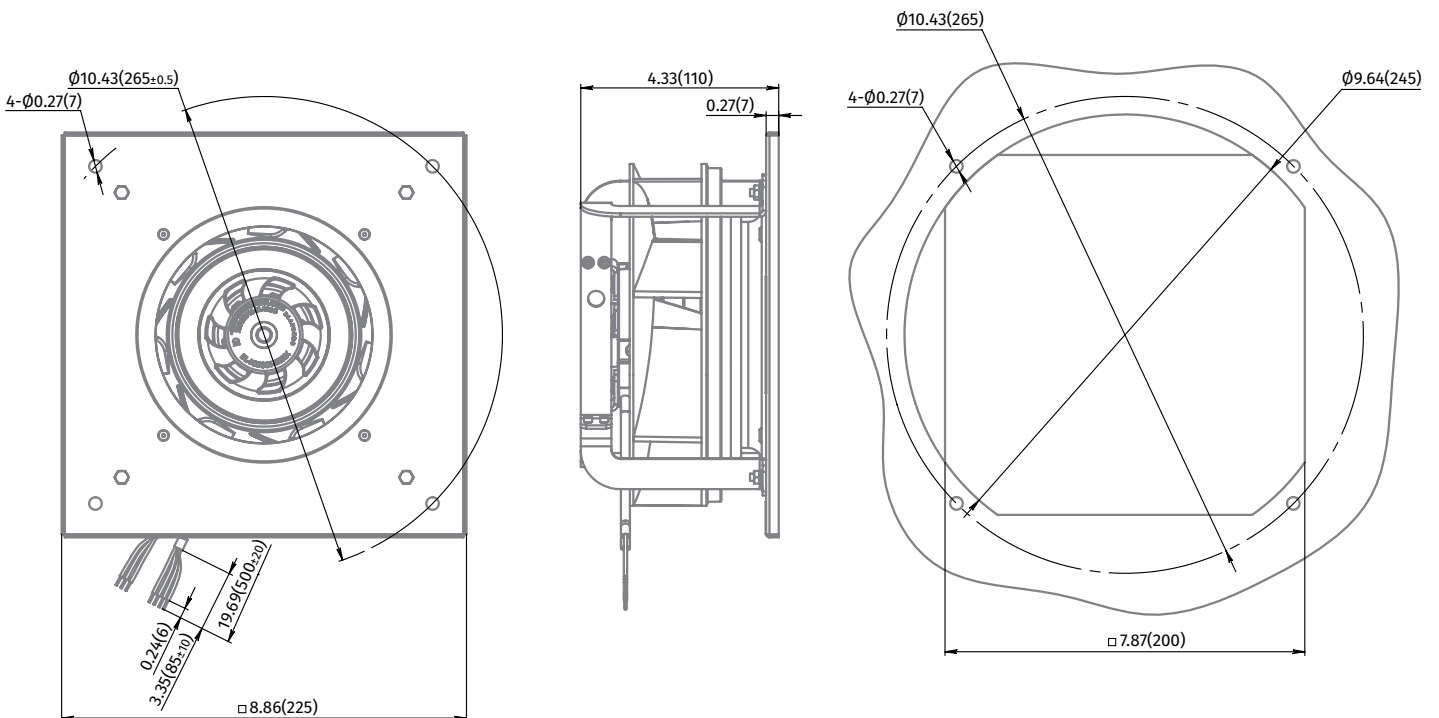


Centrifugal Fan with Plug Fan	Weight [kg]
GC-B190B-EC-00	1.75
GC-B190B-EC-03	2.3

BC-B190B-EC-00



GC-B190B-EC-00



Ø 133

Ø 175

Ø 190

Ø 220

Ø 225

Ø 250

Ø 190

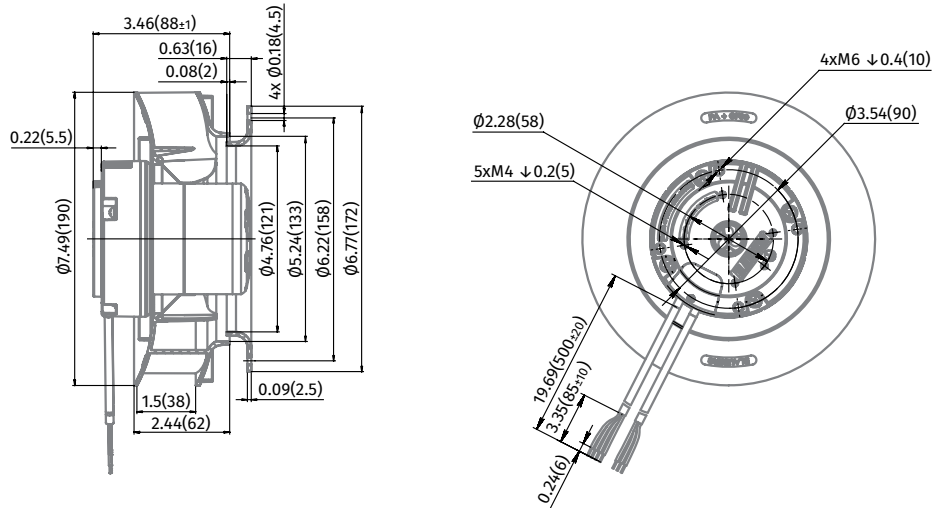
Ø 220

Ø 250

Ø 190 MM, BACKWARD CURVED

EC CENTRIFUGAL FAN

BC-B190B-EC-03



GC-B190B-EC-03

