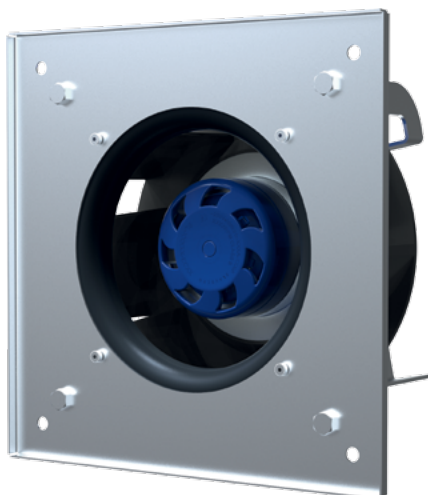


Ø 175 mm, BACKWARD CURVED

EC CENTRIFUGAL FAN



Features

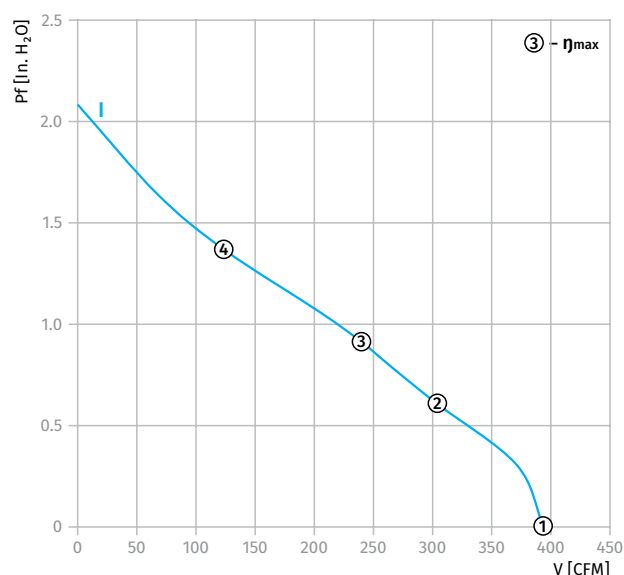
- **Materials:** Impeller – PA6+GF30
Inlet ring – PA6+GF30
Housing – sheet steel, painted grey
- **Direction of rotation:** clockwise, seen on rotor
- **Type of protection:** IP55
- **Insulation class:** B
- **Mode of operation:** S1
- **Bearing:** ball bearings
- **Motor protection:** self-resetting TOP wired internally



Technical data

Model	Perform. curve	Nominal voltage [VAC]	Frequency [Hz]	Speed [RPM]	Power input max [W]	Current max [A]	Sound pres. level [dB(A)]	Perm. amb. temp. [°C]	Electrical connection	Inlet ring
*C-B175A-EC-00	I	120	60	3252	57	0.82	72	-25 ... +60	Type "E"/p. 37	p.36

PERFORMANCE CURVES



Curve	Point	n [RPM]	Pi [W]	I [A]
I	1	3552	57.1	0.816
	2	3300	57.1	0.814
	3	3252	57.1	0.814
	4	3372	57.1	0.813

Ø 175 MM, BACKWARD CURVED

EC CENTRIFUGAL FAN

Overall Dimensions

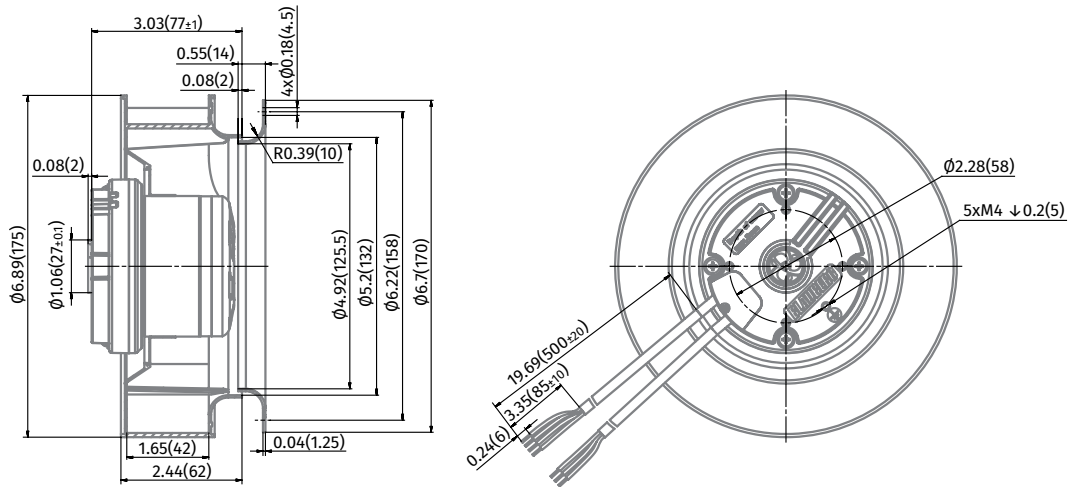


Centrifugal Fan	Weight [kg]
BC-B175A-EC-00	1.1

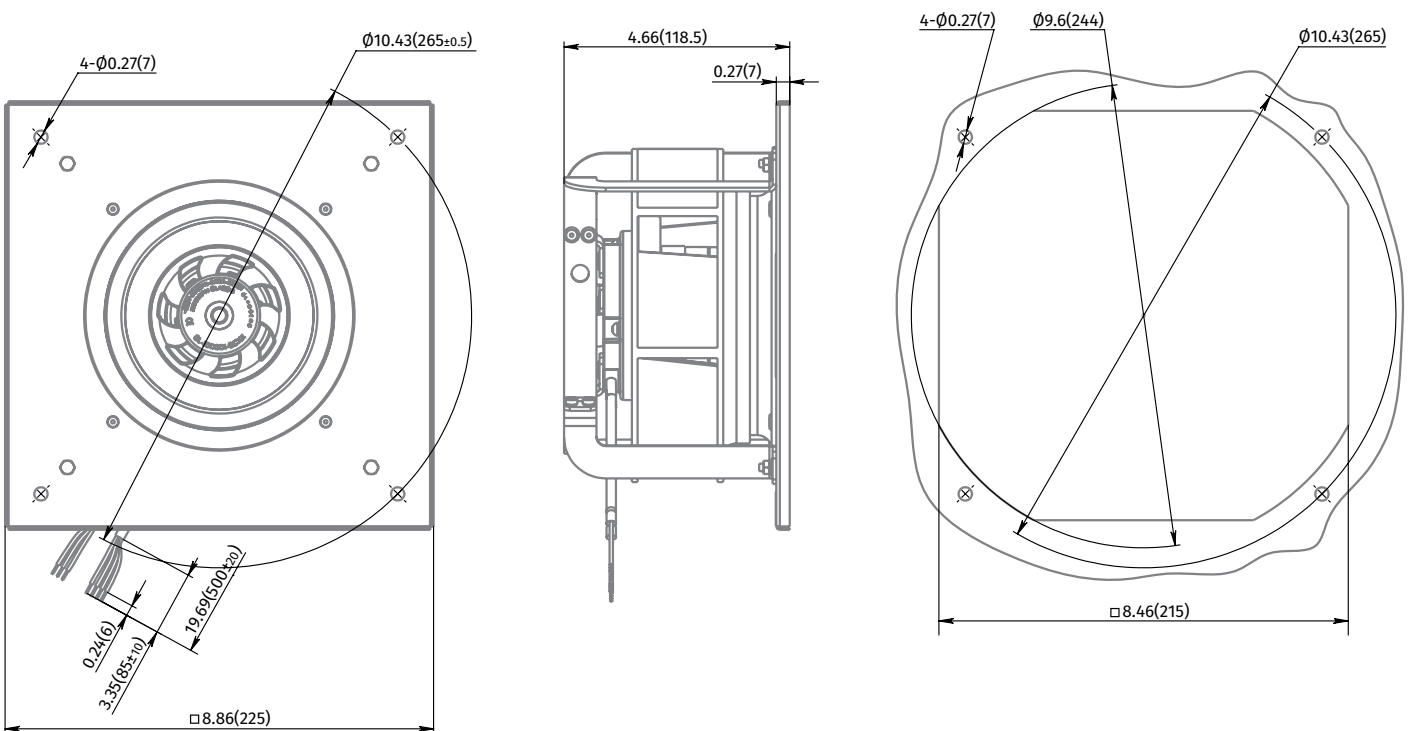


Centrifugal Fan with Plug Fan	Weight [kg]
GC-B175A-EC-00	1.65

BC-B175A-EC-00



GC-B175A-EC-00



Ø 133

Ø 175

Ø 190

Ø 220

Ø 225

Ø 250

Ø 190

Ø 220

Ø 250