

AC centrifugal fan (forward curved ø 450 mm)



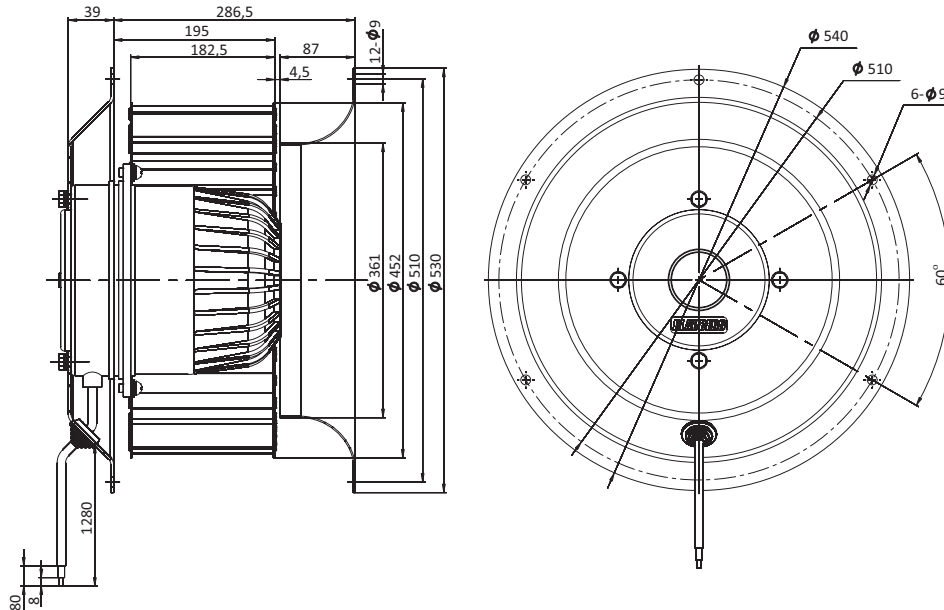
- Impeller material: galvanized steel
- Direction of rotation: clockwise, seen on rotor
- Type of protection: IP54
- Insulation class: F
- Mode of operation: continuous operation (S1)
- Bearing: ball bearings
- Motor protection: self-resetting TOP wired internally



Technical data

Type	Nominal voltage [VAC]	Frequency [Hz]	Speed [RPM]	Power input [W]	Current [A]	Sound pressure level [dB(A)]	Perm. amb. temperature [°C]	Electrical connection
BL-F450A-6D-S01-01	230	50	930	3500	10.4	84	-25...+40	B1
	400	50	930	3500	6	84	-25...+40	B2
BL-F450A-8D-N01-01	230	50	680	2000	7.13	78	-25...+40	B1
	400	50	680	2000	4.1	78	-25...+40	B2

Overall dimensions



Performance curves

