

AC centrifugal fan (forward curved \varnothing 400 mm)



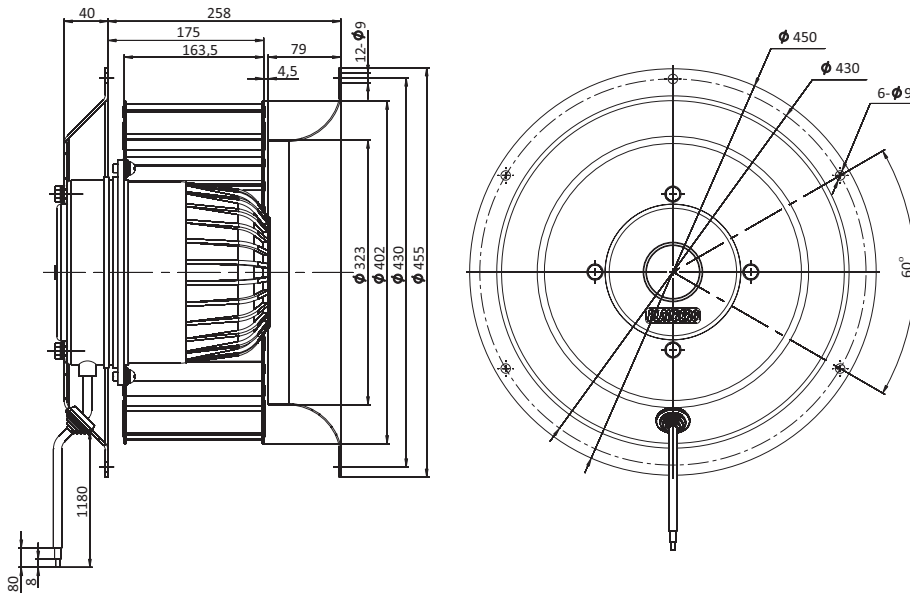
- Impeller material: galvanized steel
- Direction of rotation: clockwise, seen on rotor
- Type of protection: IP54
- Insulation class: F
- Mode of operation: continuous operation (S1)
- Bearing: ball bearings
- Motor protection: self-resetting TOP wired internally



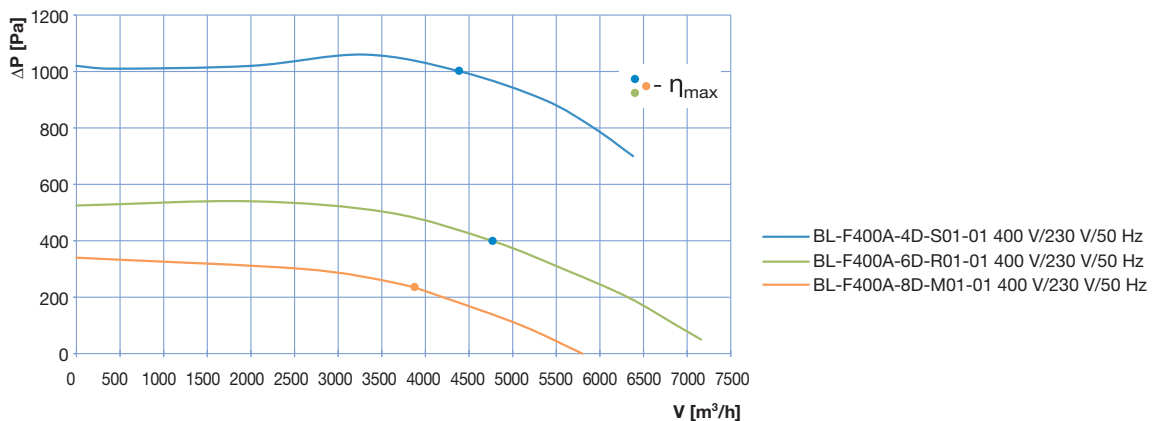
Technical data

Type	Nominal voltage [VAC]	Frequency [Hz]	Speed [RPM]	Power input [W]	Current [A]	Sound pressure level [dB(A)]	Perm. amb. temperature [°C]	Electrical connection
BL-F400A-4D-S01-01	230	50	1400	4800	13.9	86	-25...+45	B1
	400	50	1400	4800	8	86	-25...+45	B2
BL-F400A-6D-R01-01	230	50	870	2800	8.44	78	-25...+65	B1
	400	50	870	2800	4.85	78	-25...+65	B2
BL-F400A-8D-M01-01	230	50	700	1700	6.43	69	-25...+55	B1
	400	50	700	1700	3.7	69	-25...+55	B2

Overall dimensions



Performance curves



AC
Centrifugal fans
(forward curved)