

AC centrifugal fan (forward curved \varnothing 355 mm)



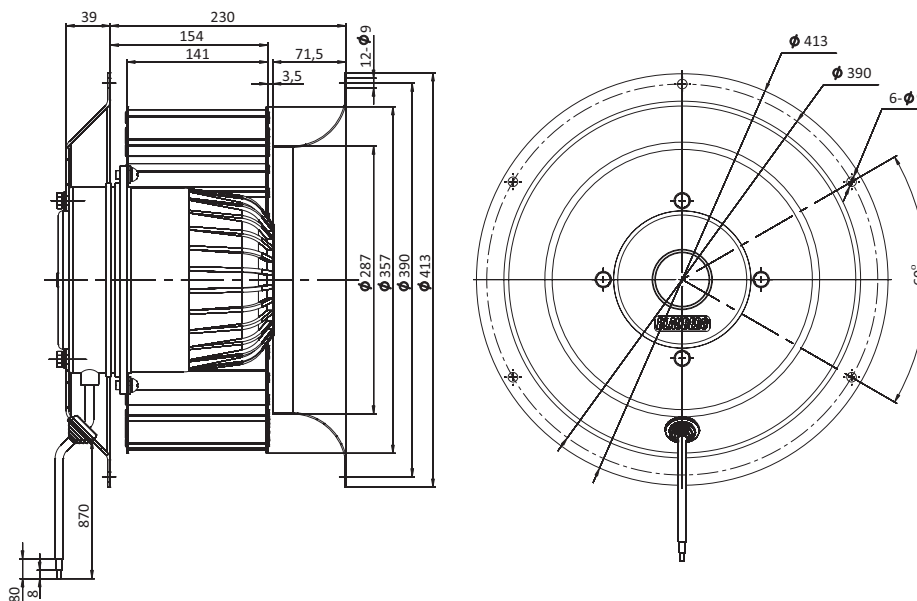
- Impeller material: galvanized steel
- Direction of rotation: clockwise, seen on rotor
- Type of protection: IP54
- Insulation class: F
- Mode of operation: continuous operation (S1)
- Bearing: ball bearings
- Motor protection: self-resetting TOP wired internally



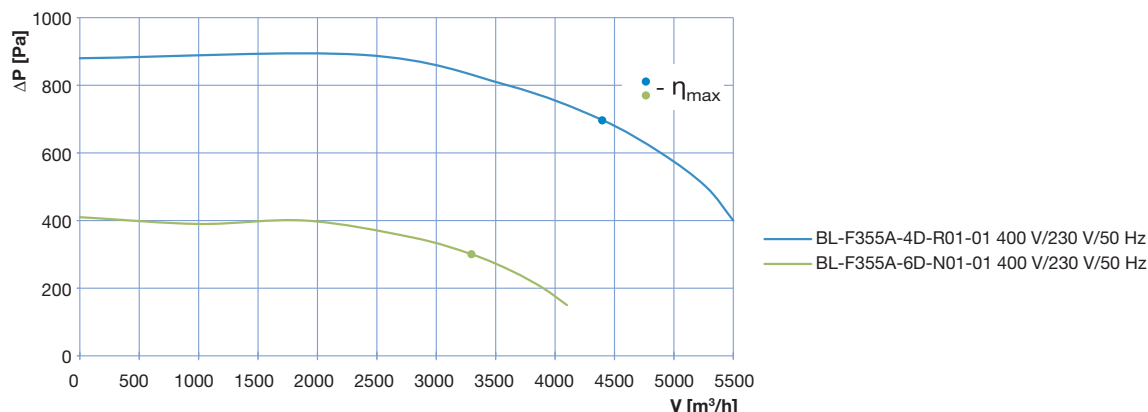
Technical data

Type	Nominal voltage [VAC]	Frequency [Hz]	Speed [RPM]	Power input [W]	Current [A]	Sound pressure level [dB(A)]	Perm. amb. temperature [°C]	Electrical connection
BL-F355A-4D-R01-01	230	50	1340	3500	10.2	75	-25...+55	B1
	400	50	1340	3500	5.9	75	-25...+55	B2
BL-F355A-6D-N01-01	230	50	900	1150	4	74	-25...+70	B1
	400	50	900	1150	2.3	74	-25...+70	B2

Overall dimensions



Performance curves



AC
Centrifugal fans
(forward curved)