

AC centrifugal fan (forward curved \varnothing 280 mm)



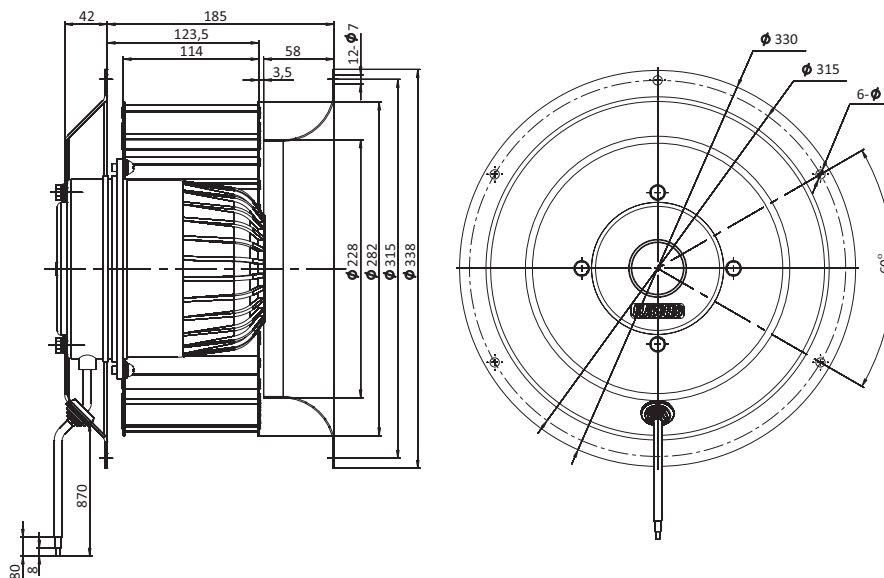
- Impeller material: galvanized steel
- Direction of rotation: clockwise, seen on rotor
- Type of protection: IP54
- Insulation class: F
- Mode of operation: continuous operation (S1)
- Bearing: ball bearings
- Motor protection: self-resetting TOP wired internally



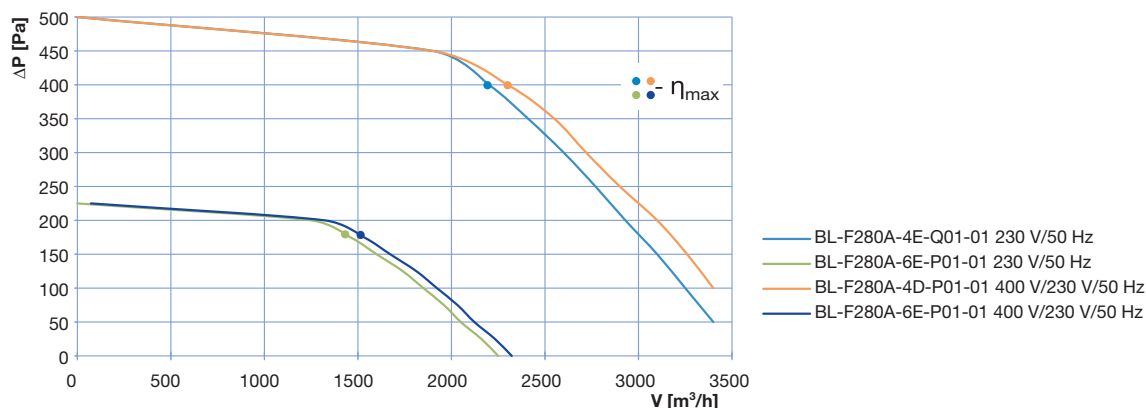
Technical data

Type	Nominal voltage [VAC]	Frequency [Hz]	Speed [RPM]	Power input [W]	Current [A]	Sound pressure level [dB(A)]	Perm. amb. temperature [°C]	Capacitor [μ F/VDB]	Electrical connection
BL-F280A-4E-Q01-01	230	50	1360	1600	7.3	74	-25...+50	31.0/450	A
BL-F280A-6E-P01-01	230	50	900	450	2.2	72	-25...+80	8.0/450	A
BL-F280A-4D-P01-01	230	50	1360	1700	5.4	75	-25...+60	-	B1
	400	50	1360	1700	3.2	75	-25...+60	-	B2
BL-F280A-6D-M01-01	230	50	900	450	1.48	72	-25...+80	-	B1
	400	50	900	450	0.85	72	-25...+80	-	B2

Overall dimensions



Performance curves



AC
Centrifugal fans
(forward curved)