

# AC centrifugal fan (forward curved $\varnothing$ 250 mm)



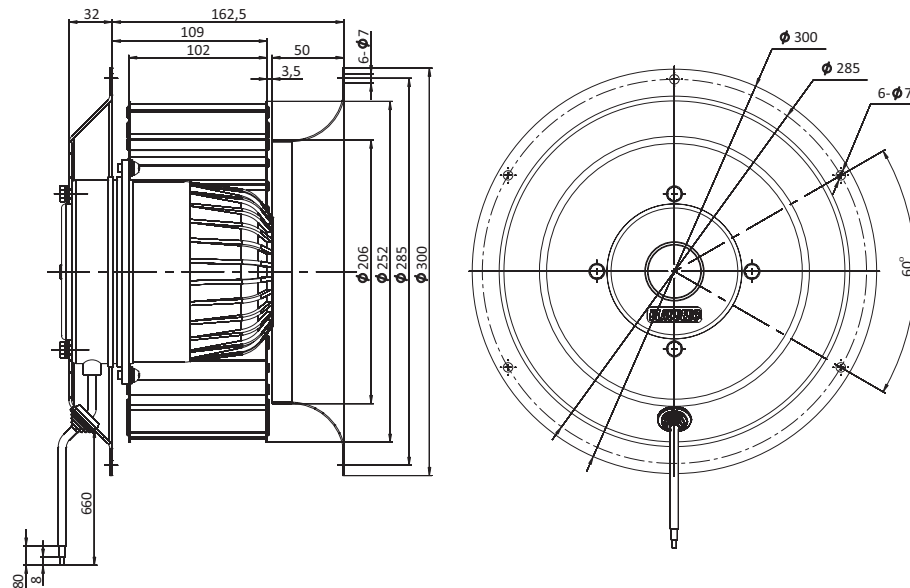
- Impeller material: galvanized steel
- Direction of rotation: clockwise, seen on rotor
- Type of protection: IP54
- Insulation class: F
- Mode of operation: continuous operation (S1)
- Bearing: ball bearings
- Motor protection: self-resetting TOP wired internally



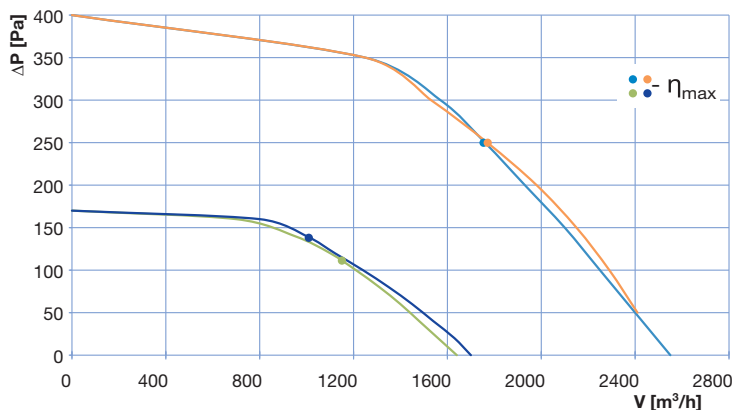
## Technical data

Type	Nominal voltage [VAC]	Frequency [Hz]	Speed [RPM]	Power input [W]	Current [A]	Sound pressure level [dB(A)]	Perm. amb. temperature [°C]	Capacitor [ $\mu$ F/VDB]	Electrical connection
BL-F250A-4E-P01-01	230	50	1330	900	4.1	73	-25...+60	16.0/450	A
BL-F250A-6E-O01-01	230	50	900	320	1.6	70	-25...+70	5.0/450	A
BL-F250A-4D-P01-01	230	50	1400	870	3.1	74	-25...+70	-	B1
	400	50	1400	870	1.8	74	-25...+70	-	B2
BL-F250A-6D-L01-01	230	50	910	320	1.4	70	-25...+70	-	B1
	400	50	910	320	0.81	70	-25...+70	-	B2

## Overall dimensions



## Performance curves



- BL-F250A-4E-P01-01 230 V/50 Hz
- BL-F250A-6E-O01-01 230 V/50 Hz
- BL-F250A-4D-P01-01 400 V/230 V/50 Hz
- BL-F250A-6D-L01-01 400 V/230 V/50 Hz