

AC centrifugal fan (forward curved \varnothing 225 mm)



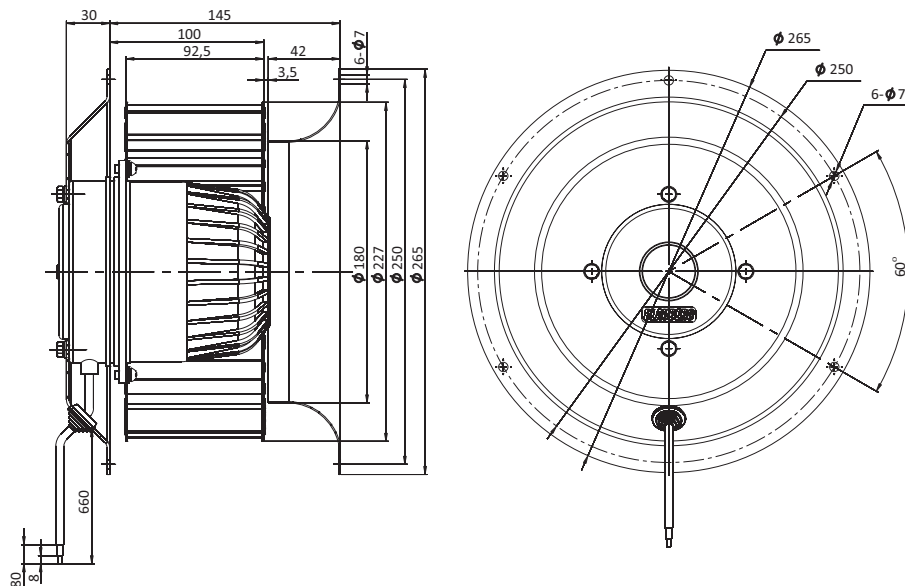
- Impeller material: galvanized steel
- Direction of rotation: clockwise, seen on rotor
- Type of protection: IP54
- Insulation class: F
- Mode of operation: continuous operation (S1)
- Bearing: ball bearings
- Motor protection: self-resetting TOP wired internally



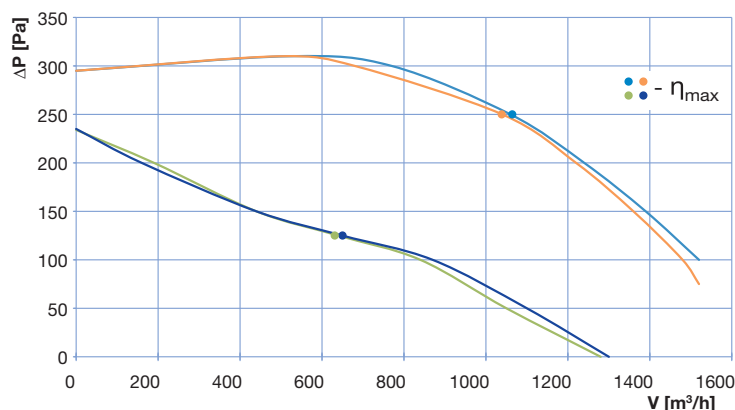
Technical data

Type	Nominal voltage [VAC]	Frequency [Hz]	Speed [RPM]	Power input [W]	Current [A]	Sound pressure level [dB(A)]	Perm. amb. temperature [°C]	Capacitor [μ F/VDB]	Electrical connection
BL-F225A-4E-O01-01	230	50	1320	510	2.3	71	-25...+50	8.0/450	A
BL-F225A-6E-O01-01	230	50	930	250	1.3	68	-25...+70	6.0/450	A
BL-F225A-4D-O01-01	230	50	1300	490	1.43	71	-25...+60	-	B1
	400	50	1300	490	0.82	71	-25...+60	-	B2
BL-F225A-6D-L01-01	230	50	930	300	1.4	68	-25...+70	-	B1
	400	50	930	300	0.81	68	-25...+70	-	B2

Overall dimensions



Performance curves



- BL-F225A-4E-O01-01 230 V/50 Hz
- BL-F225A-6E-O01-01 230 V/50 Hz
- BL-F225A-4D-O01-01 400 V/230 V/50 Hz
- BL-F225A-6D-L01-01 400 V/230 V/50 Hz