

Ø 140 MM, FORWARD CURVED

AC CENTRIFUGAL FAN



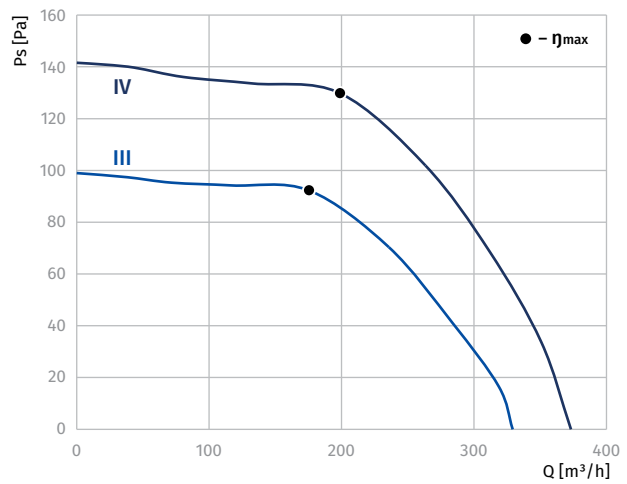
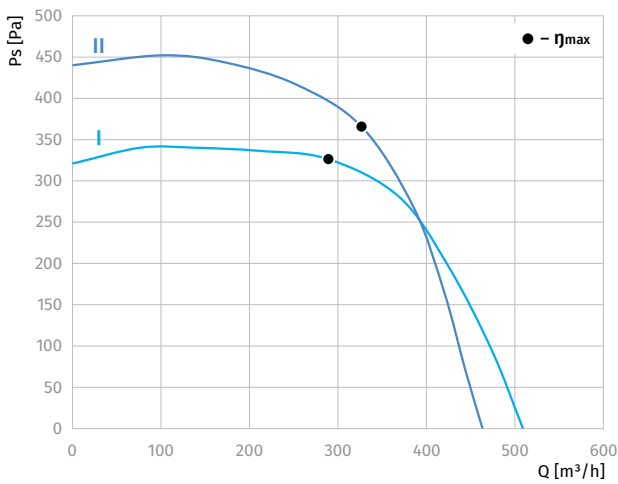
Features

- **Impeller material:** galvanized steel
- **Direction of rotation:** clockwise, seen on rotor
- **Type of protection:** IP44
- **Insulation class:** B
- **Mode of operation:** continuous operation (S1)
- **Bearing:** ball bearings
- **Motor protection:** self-resetting TOP wired internally

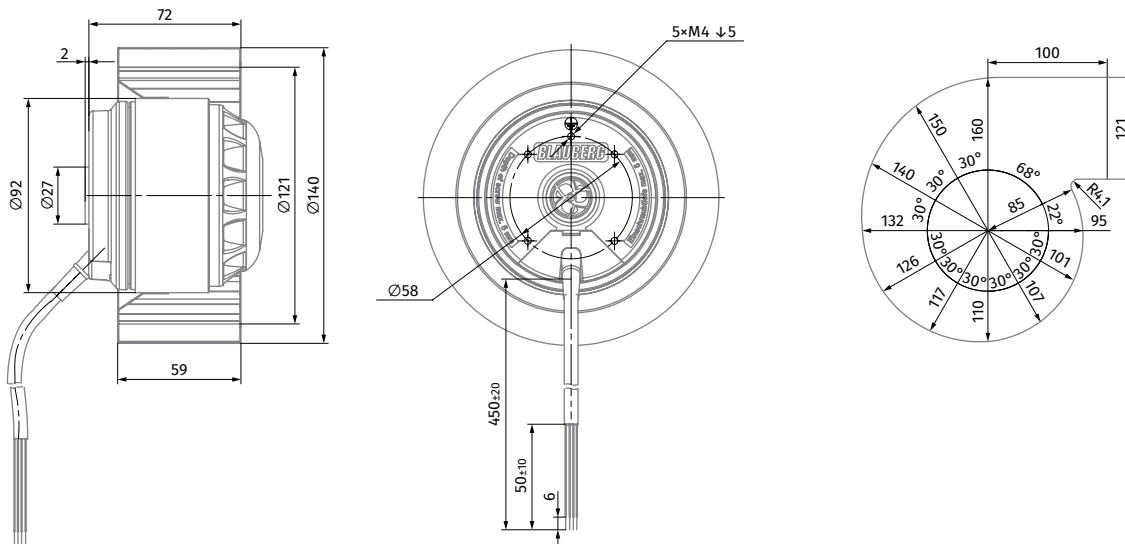


Technical data

| Model | Perform. curve | Nominal voltage [VAC] | Frequency [Hz] | Speed [RPM] | Power input max [W] | Current max [A] | Sound pres. level [dBA] | Perm. amb. temp. [°C] | Capacitor [µF/VDB] | Electrical connection |
|--------------------|----------------|-----------------------|----------------|-------------|---------------------|-----------------|-------------------------|-----------------------|--------------------|-----------------------|
| BL-F140A-2E-C01-01 | I | 230 | 50 | 2800 | 90 | 0.38 | 72 | -25 ... +50 | 3.5/450 | A |
| | II | 230 | 60 | 3200 | 125 | 0.56 | 71 | -25 ... +50 | 3.5/450 | A |
| BL-F140A-4E-B01-01 | III | 230 | 50 | 1500 | 52 | 0.23 | 70 | -25 ... +50 | 2.0/450 | A |
| | IV | 230 | 60 | 1700 | 67 | 0.30 | 71 | -25 ... +50 | 2.0/450 | A |



Overall dimensions



BACKWARD CURVED AC CENTRIFUGAL FANS

BACKWARD CURVED EC CENTRIFUGAL FANS

FORWARD CURVED AC CENTRIFUGAL FANS

FORWARD CURVED EC CENTRIFUGAL FANS

FORWARD CURVED AC BLOWERS

FORWARD CURVED EC BLOWERS

BACKWARD CURVED EC BLOWERS