

Ø 190 MM, BACKWARD CURVED

EC CENTRIFUGAL FAN



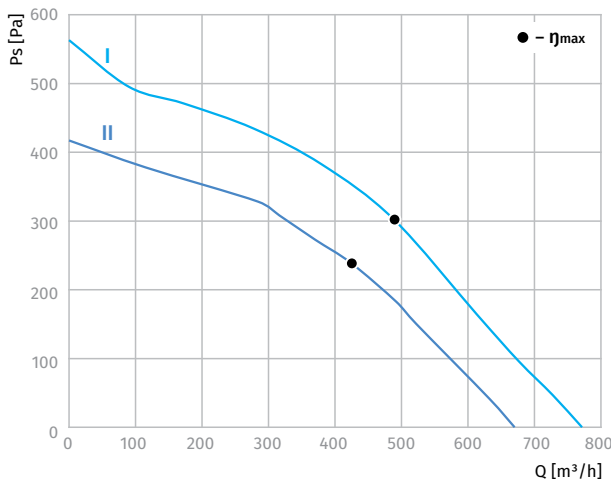
Features

- Speed control: 0 ~ 10 V DC/PWM
- Impeller material: PA plastic + 30 % glass fiber
- Direction of rotation: clockwise, seen on rotor
- Type of protection: IP55
- Insulation class: B
- Mode of operation: continuous operation (S1)
- Bearing: ball bearings
- Motor protection: self-resetting TOP wired internally

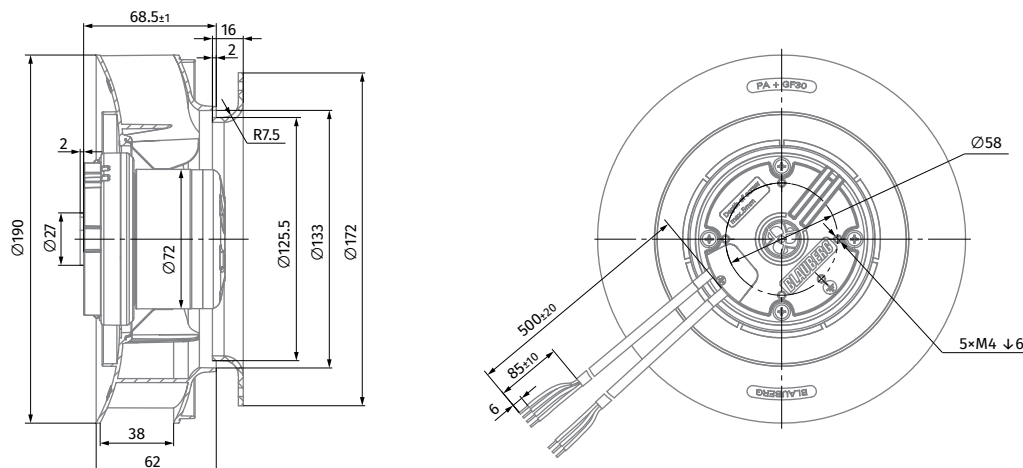


Technical data

Model	Perform. curve	Nominal voltage [VAC]	Frequency [Hz]	Speed [RPM]	Power input max [W]	Current max [A]	Sound pres. level [dBA]	Perm. amb. temp. [°C]	Capacitor [µF/VDB]	Electrical connection
BL-B190B-EC-00	I	230	50/60	3300	87	0.70	72	-25 ... +60	-	E
BL-B190B-EC-01	II	230	50/60	3000	64	0.50	71	-25 ... +60	-	E



Overall dimensions



Ø 190 MM, BACKWARD CURVED

EC CENTRIFUGAL FAN



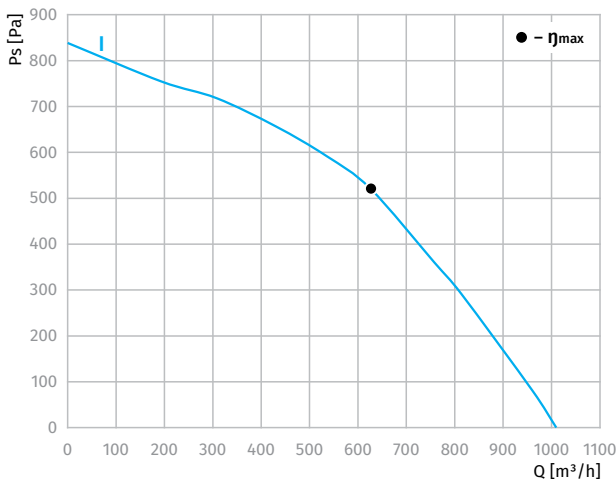
Features

- Speed control: 0 ~ 10 V DC/PWM
- Impeller material: PA plastic + 30 % glass fiber
- Direction of rotation: clockwise, seen on rotor
- Type of protection: IP55
- Insulation class: B
- Mode of operation: continuous operation (S1)
- Bearing: ball bearings
- Motor protection: self-resetting TOP wired internally

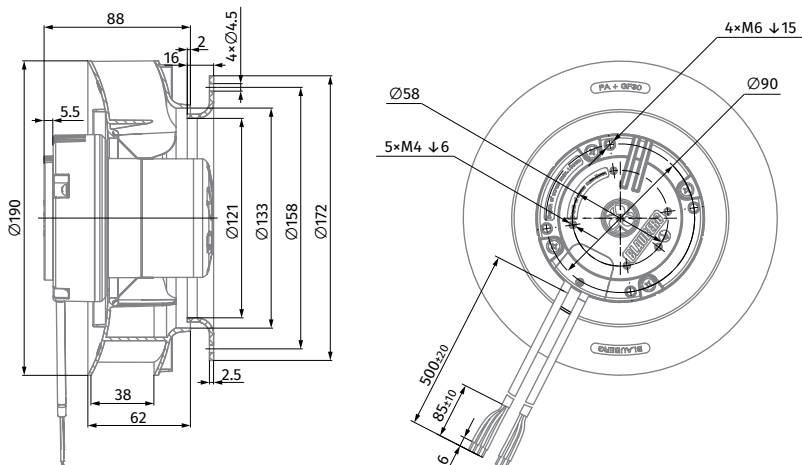


Technical data

Model	Perform. curve	Nominal voltage [VAC]	Frequency [Hz]	Speed [RPM]	Power input max [W]	Current max [A]	Sound pres. level [dBA]	Perm. amb. temp. [°C]	Capacitor [µF/VDB]	Electrical connection
BL-B190B-EC-03	I	230	50/60	4100	170	1.30	72	-25 ... +60	-	E



Overall dimensions



BACKWARD CURVED AC CENTRIFUGAL FANS

BACKWARD CURVED EC CENTRIFUGAL FANS

FORWARD CURVED AC CENTRIFUGAL FANS

FORWARD CURVED EC CENTRIFUGAL FANS

FORWARD CURVED AC BLOWERS

FORWARD CURVED EC BLOWERS

BACKWARD CURVED EC BLOWERS