



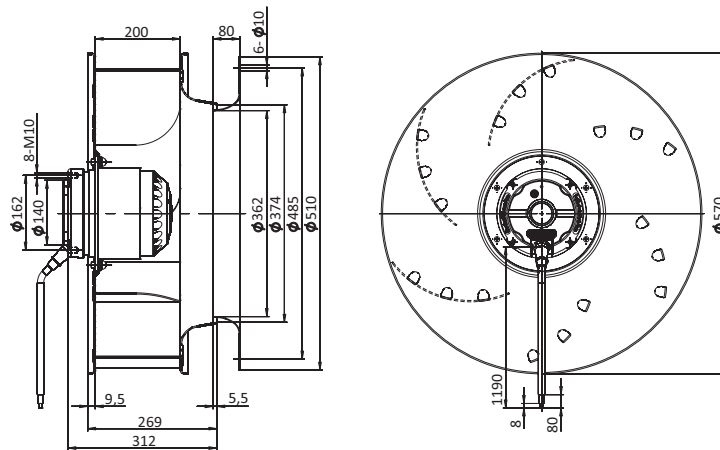
- Impeller material: sheet aluminium
- Direction of rotation: clockwise, seen on rotor
- Type of protection: IP54
- Insulation class: F
- Mode of operation: continuous operation (S1)
- Bearing: ball bearings
- Motor protection: self-resetting TOP wired internally



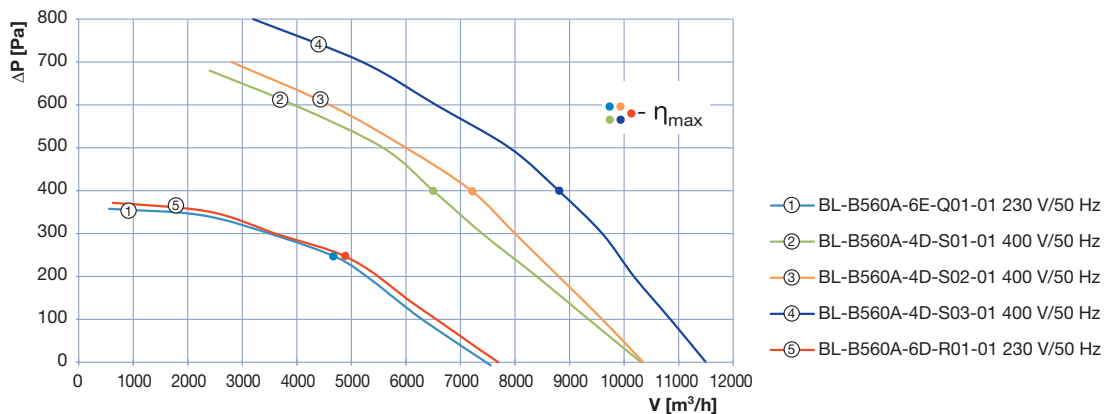
## Technical data

| Type               | Nominal voltage [VAC] | Frequency [Hz] | Speed [RPM] | Power input max, W | Current max [A] | Sound pressure level [dB(A)] | Perm. amb. temperature [°C] | Capacitor [ $\mu$ F/VDB] | Electrical connection |
|--------------------|-----------------------|----------------|-------------|--------------------|-----------------|------------------------------|-----------------------------|--------------------------|-----------------------|
| BL-B560A-6E-Q01-01 | 230                   | 50             | 900         | 700                | 3.1             | 69                           | -25...+50                   | 19/450                   | A                     |
| BL-B560A-4D-S01-01 | 230                   | 50             | 1250        | 1800               | 3.2             | 79                           | -25...+40                   | -                        | B1                    |
|                    | 400                   | 50             | 860         | 960                | 1.8             | 79                           | -25...+40                   | -                        | B2                    |
| BL-B560A-4D-S02-01 | 230                   | 50             | 1250        | 2200               | 6.5             | 79                           | -25...+45                   | -                        | B1                    |
|                    | 400                   | 50             | 1250        | 2200               | 3.7             | 79                           | -25...+45                   | -                        | B2                    |
| BL-B560A-4D-S03-01 | 400                   | 50             | 1325        | 2300               | 3.7             | 81                           | -25...+50                   | -                        | B1                    |
| BL-B560A-6D-R01-01 | 230                   | 50             | 870         | 780                | 2.69            | 69                           | -25...+50                   | -                        | B1                    |
|                    | 400                   | 50             | 870         | 780                | 1.55            | 69                           | -25...+50                   | -                        | B2                    |

## Overall dimensions



## Performance curves



AC  
Centrifugal fans  
(backward curved)