

AC centrifugal fan (backward curved \varnothing 190 mm)



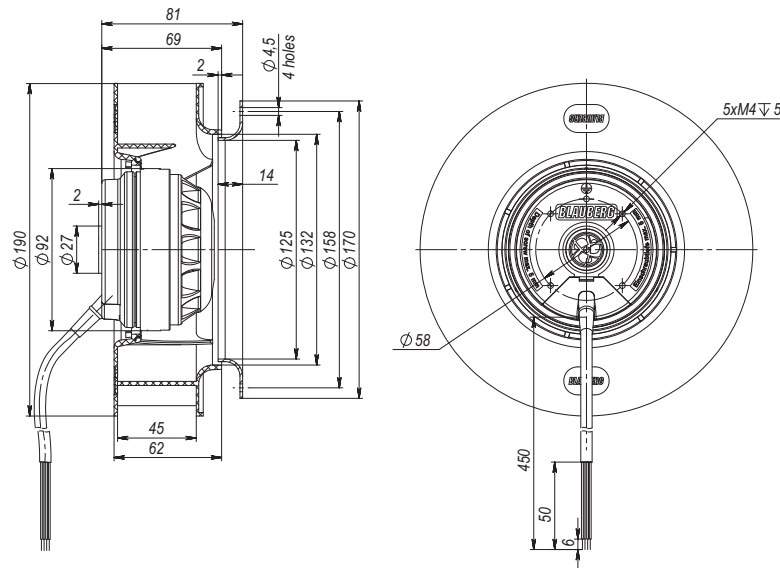
- Impeller material: PA plastic + 20% glass fiber
- Direction of rotation: clockwise, seen on rotor
- Type of protection: IP44
- Insulation class: B
- Mode of operation: continuous operation (S1)
- Bearing: ball bearings
- Motor protection: self-resetting TOP wired internally



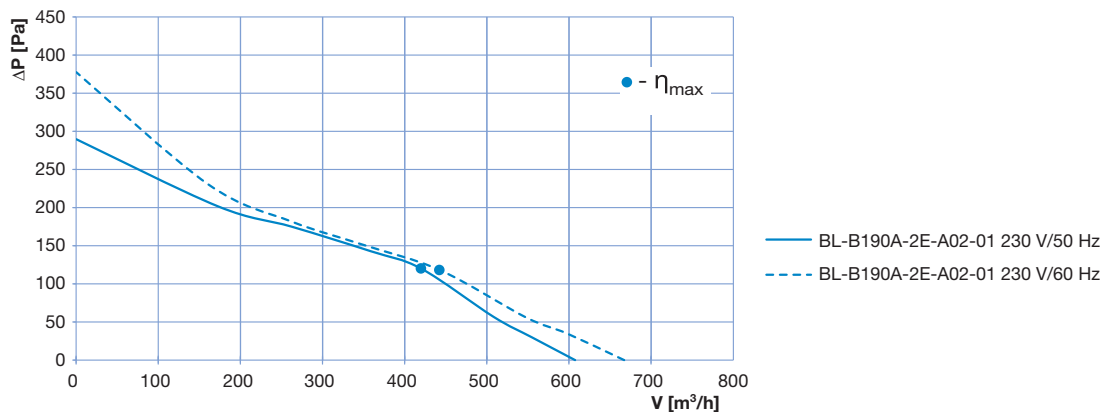
Technical data

| Type | Nominal voltage [VAC] | Frequency [Hz] | Speed [RPM] | Power input max [W] | Current max [A] | Sound pressure level [dB(A)] | Perm. amb. temperature [°C] | Capacitor μ F/VDB | Electrical connection |
|--------------------|-----------------------|----------------|-------------|---------------------|-----------------|------------------------------|-----------------------------|-----------------------|-----------------------|
| BL-B190A-2E-A02-01 | 230 | 50 | 2340 | 62 | 0.29 | 62 | -25...+50 | 1.5/450 | A |
| | | 60 | 2440 | 72 | 0.32 | 64 | | | |

Overall dimensions



Performance curves



AC
Centrifugal fans
(backward curved)