



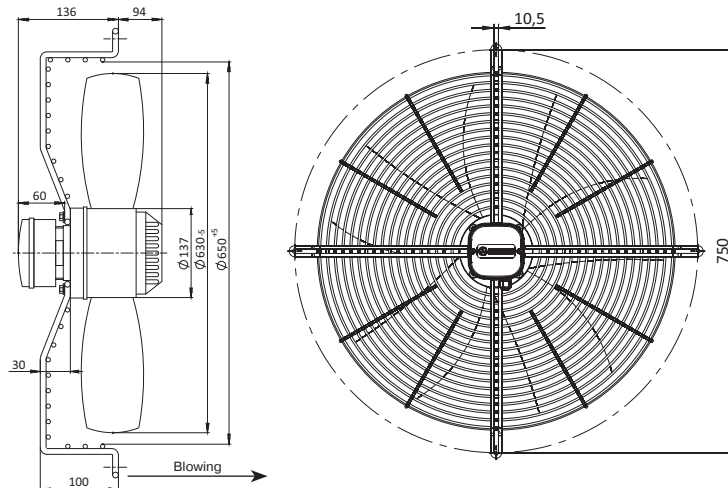
- Impeller material: steel powder coated, welded
- Direction of rotation: clockwise, seen on rotor
- Type of protection: IP54
- Insulation class: F
- Mode of operation: continuous operation (S1)
- Bearing: ball bearings
- Motor protection: self-resetting TOP wired internally



### Technical data

Type	Nominal voltage [VAC]	Frequency [Hz]	Speed [RPM]	Power input [W]	Current [A]	Sound pressure level [dB(A)]	Perm. amb. temperature [°C]	Capacitor [ $\mu$ F/VDB]	Electrical connection
BL-A630B-4E-S01-B1	230	50	1360	800	3.7	74	-30...+60	16/450	A
		60	1500	1150	5.3	75			
BL-A630B-6E-S01-B1	230	50	900	520	2.5	67	-30...+60	12/450	A
		60	1050	705	3.25	71			
BL-A630B-4D-S01-B1	400	50	1350	850	1.6	74	-30...+60	-	B
		60	1540	1010	1.8	75			
BL-A630B-6D-Q01-B1	400	50	900	550	1.4	70	-30...+60	-	B
		60	1060	740	1.56	71			

### Overall dimensions



### Performance curves

