

AC axial fan (welded ø 600 mm)



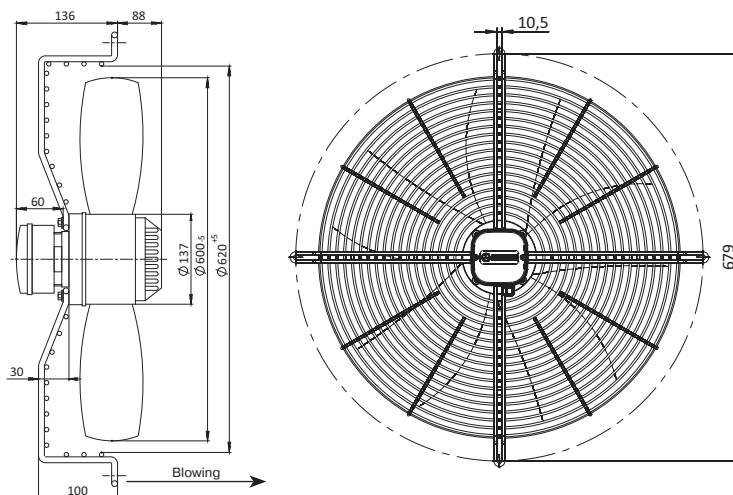
- Impeller material: steel powder coated, welded
- Direction of rotation: clockwise, seen on rotor
- Type of protection: IP54
- Insulation class: F
- Mode of operation: continuous operation (S1)
- Bearing: ball bearings
- Motor protection: self-resetting TOP wired internally



Technical data

Type	Nominal voltage [VAC]	Frequency [Hz]	Speed [RPM]	Power input [W]	Current [A]	Sound pressure level [dB(A)]	Perm. amb. temperature [°C]	Capacitor [µF/VDB]	Electrical connection
BL-A600B-4E-S01-B1	230	50	1380	800	3.8	73	-30...+60	16/450	A
		60	1640	920	4.2	75			
BL-A600B-6E-S01-B1	230	50	910	500	2.4	69	-30...+60	12/450	A
		60	1080	640	2.94	70			
BL-A600B-4D-S01-B1	400	50	1350	800	1.5	73	-30...+60	-	B
		60	1550	1000	2	75			
BL-A600B-6D-S01-B1	400	50	920	500	1.5	69	-30...+60	-	B
		60	1070	575	1.5	70			

Overall dimensions



Performance curves

