



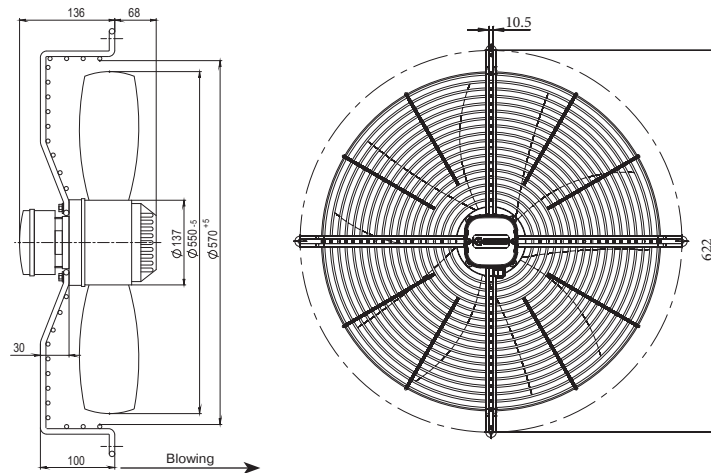
- Impeller material: steel powder coated, welded
- Direction of rotation: clockwise, seen on rotor
- Type of protection: IP54
- Insulation class: F
- Mode of operation: continuous operation (S1)
- Bearing: ball bearings
- Motor protection: self-resetting TOP wired internally



Technical data

Type	Nominal voltage [VAC]	Frequency [Hz]	Speed [RPM]	Power input [W]	Current [A]	Sound pressure level [dB(A)]	Perm. amb. temperature [°C]	Capacitor [μ F/VDB]	Electrical connection
BL-A550B-4E-R01-B1	230	50	1320	550	2.5	73	-30...+60	12/450	A
		60	1400	725	3.3	74			
BL-A550B-6E-R01-B1	230	50	910	320	1.5	62	-30...+60	10/450	A
		60	1060	465	2.15	69			
BL-A550B-4D-R01-B1	400	50	1330	550	1.1	73	-30...+60	-	B
		60	1540	725	1.4	74			
BL-A550B-6D-R01-B1	400	50	910	320	0.95	65	-30...+60	-	B
		60	1090	440	1	69			

Overall dimensions



Performance curves

