

AC axial fan (welded \varnothing 500 mm)



- Impeller material: steel powder coated, welded
- Direction of rotation: clockwise, seen on rotor
- Type of protection: IP54
- Insulation class: F
- Mode of operation: continuous operation (S1)
- Bearing: ball bearings
- Motor protection: self-resetting TOP wired internally

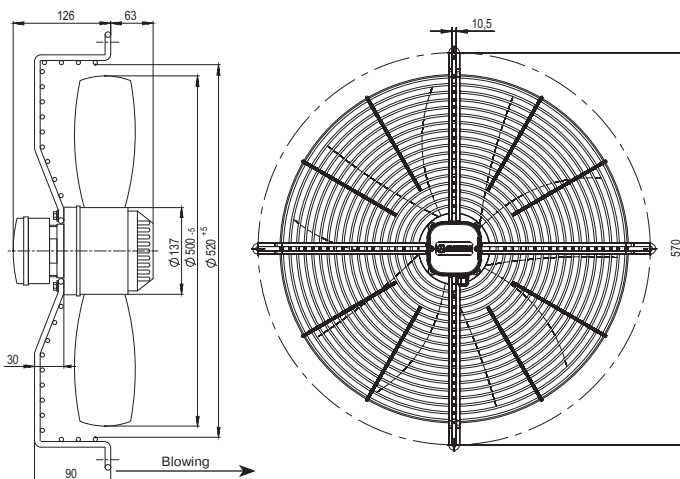


AC
Axial fans

Technical data

Type	Nominal voltage [VAC]	Frequency [Hz]	Speed [RPM]	Power input [W]	Current [A]	Sound pressure level [dB(A)]	Perm. amb. temperature [°C]	Capacitor [μ F/VDB]	Electrical connection
BL-A500B-4E-R01-B1	230	50	1320	420	2	69	-30...+60	10.0/450	A
		60	1450	500	2.5	70			
BL-A500B-6E-R01-B1	230	50	920	220	1.1	66	-30...+60	4.0/450	A
		60	1020	305	1.38	68			
BL-A500B-4D-R01-B1	400	50	1350	420	0.95	69	-30...+60	-	B
		60	1500	500	0.9	70			
BL-A500B-6D-R01-B1	400	50	920	220	0.62	66	-30...+60	-	B
		60	1100	275	0.6	68			

Overall dimensions



Performance curves

