

Ø 450 mm, WELDED

AC AXIAL FAN



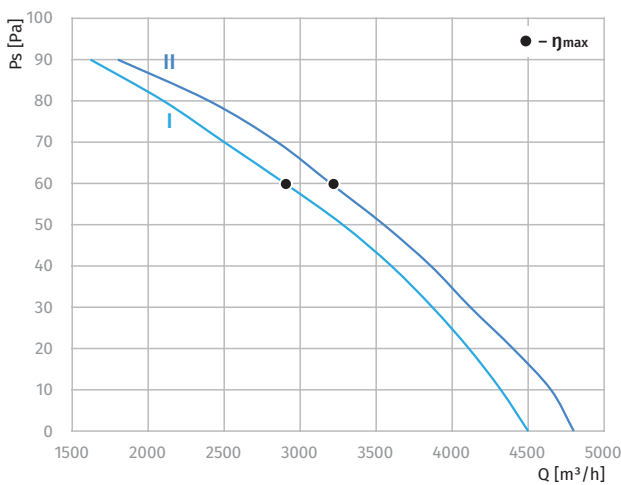
Features

- **Impeller material:** alkyd coated steel, welded
- **Direction of rotation:** clockwise for blowing "B" and counter-clockwise for sucking "S", seen on rotor
- **Type of protection:** IP54
- **Insulation class:** F
- **Mode of operation:** continuous operation (S1)
- **Bearing:** ball bearings
- **Motor protection:** self-resetting TOP wired internally



Technical data

Model	Perform. curve	Nominal voltage [VAC]	Frequency [Hz]	Speed [RPM]	Power input max [W]	Current max [A]	Sound pres. level [dB(A)]	Perm. amb. temp. [°C]	Capacitor [µF/VDB]	Electrical connection
BL-A450B-4E-N01-B*	I	230	50	1310	317	1.40	64	-25 ... +50	8.0/450	A
BL-A450B-4E-N01-S*	II	230	60	1390	425	1.85	68	-25 ... +50	8.0/450	A



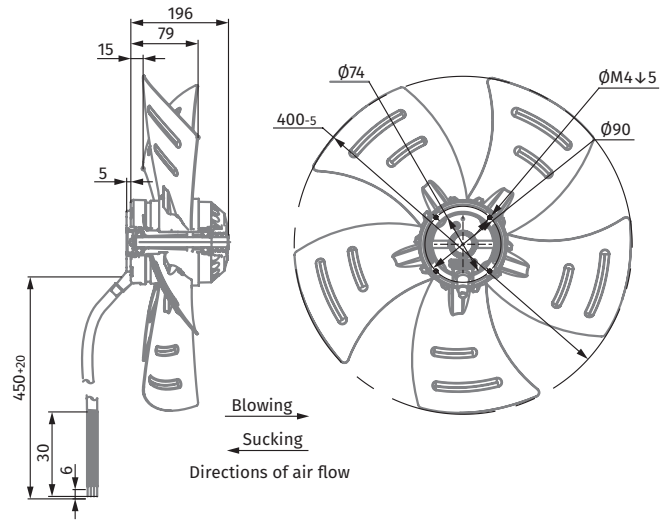
Ø 450 mm, WELDED

AC AXIAL FAN

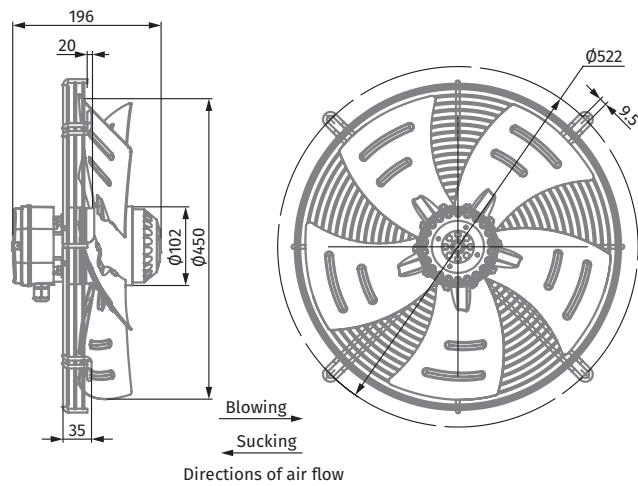
Overall Dimensions



Axial Fan *no grid	Weight [kg]
BL-A450B-4E-N01-B0	6.5
BL-A450B-4E-N01-S0	6.5



Axial Fan *with low grid	Weight [kg]
BL-A450B-4E-N01-B1	7.7
BL-A450B-4E-N01-S1	7.7



Axial Fan *with high grid	Weight [kg]
BL-A450B-4E-N01-B3	8
BL-A450B-4E-N01-S3	8

